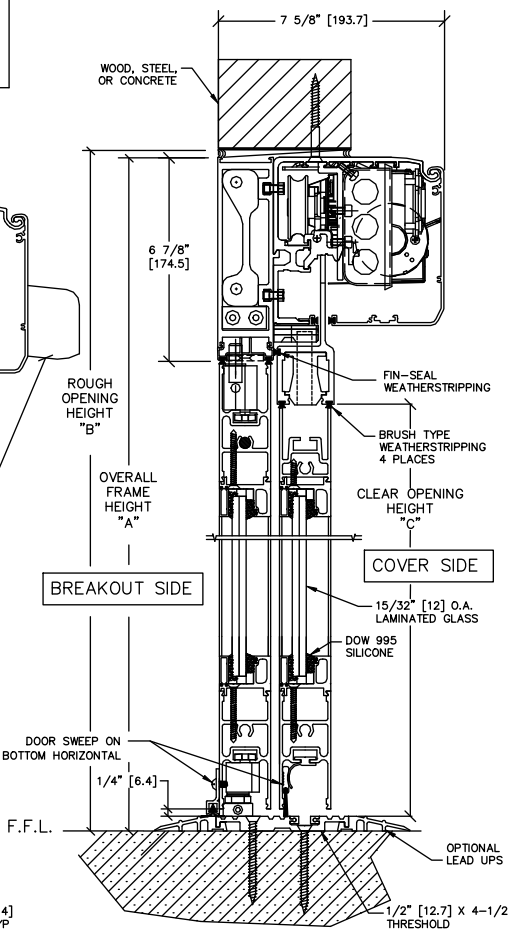
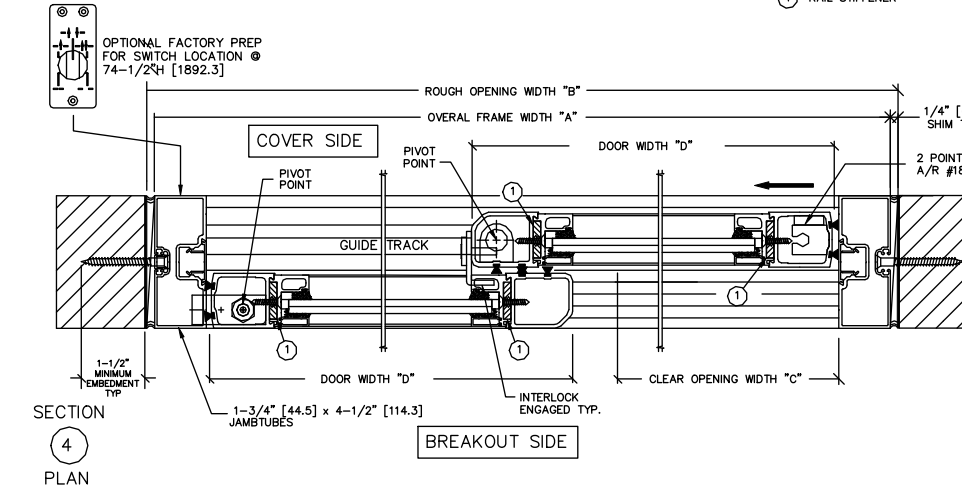
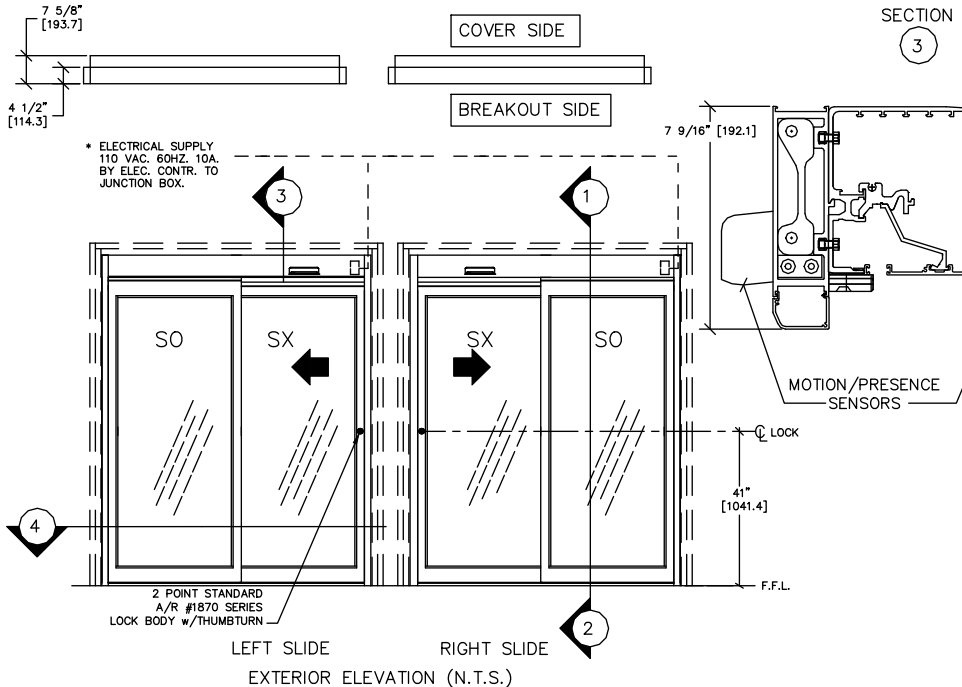


ASSA ABLOY

ASSA ABLOY Entrance Systems
1900 Airport Road
Monroe, NC 28110
Phone: 1-866-237-2687
specdesk.na.besam@assaabloy.com

BESAM RESILIENCE
OVERHEAD CONCEALED, NARROW STILE
FULL BREAKOUT, SINGLE SLIDE
LARGE & SMALL MISSILE IMPACT DOOR SYSTEM



	OPENING SIZE DATA			
	OVERALL FRAME SIZE "A"	ROUGH OPENING "B"	CLEAR OPENING "C"	DOOR WIDTH "D"
AT MAX WIDTH	84 3/8" [2143.1]	84 7/8" [2155.8]	34 3/8" [873.1]	42" [1066.8]
WIDTH FORMULA	$B - 1/2"$ [12.7]	$A + 1/2"$ [12.7]	$A/2 - 7 13/16"$ [198.4]	$A/2 - 3/16"$ [4.8]
AT MAX HEIGHT	92" [2356.8]	92 1/2" [2349.5]	84 1/2" [2146.3]	
HEIGHT FORMULA	$B - 1/2"$ [12.7]	$A + 1/2"$ [12.7]	$A - 7 1/2"$ [190.5]	

REFER TO APPLICABLE BUILDING CODES FOR EGRESS REQUIREMENTS

NOTES

THE STANDARD PACKAGE CONSISTS OF:
A) THE AUTOMATIC OPERATOR
B) FRAMES, DOORS & SIDELITES WITH WEATHERSTRIPPING
C) ACTIVE LEAF AND SIDELITE EMERGENCY BREAKOUT FUNCTIONALITY
D) 2-POINT LOCK
E) 5 OR 3 POSITION SWITCH;
OFF, EXIT ONLY, AUTO, REDUCED OPENING, HOLD-OPEN OR OFF, AUTO, HOLD-OPEN
F) MOTION/PRESENCE SENSORS

PACKAGE OPTIONS:
A) PANIC DEVICE; A/R G86
B) MEDIUM OR WIDE DOOR STILES
C) 7" OR 10" BOTTOM DOOR RAILS

GLASS OPTIONS:
A) 3/8" O.A. LAMINATED: 3/8" HS - .090" SOLUTIA SAFLEX® PVB - 3/8" HS
B) 3/4" O.A. LAMINATED: 3/4" HS - .090" DUPONT SENTRYGLAS PLUS® - 3/8" HS

WET GLAZE WITH DOW 995 SILICONE - FOLLOW MANUFACTURER'S INSTRUCTIONS

GLASS SIZE: OFW/2 - 5 9/16" X OFH - 16 3/4"
[141.] [425.5]

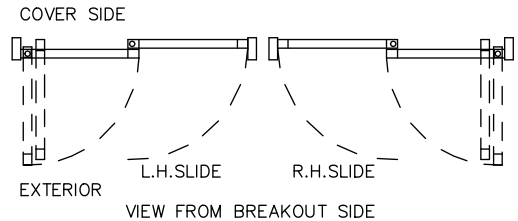
STANDARD FINISHES:
A) DARK BRONZE - AA-M12C22A44, CLASS 1, .018 MM
B) CLEAR - AA-M12C22A41, CLASS 1, .018 MM
* SPECIAL FINISHES ARE AVAILABLE

FOR MAXIMUM CURRENT DRAW, SEE PRODUCT SPECIFICATION, INSTALLATION INSTRUCTIONS, OR THE UL LABEL ON THE EQUIPMENT.

TEST PROTOCOL: TAS 201, TAS 202 & TAS 203
REF. FL# 16128

DIMENSIONS ARE IN INCHES

DESIGN PRESSURE RATING	
WHERE WATER INFILTRATION REQUIREMENT IS NEEDED.	WHERE WATER INFILTRATION REQUIREMENT IS NOT NEEDED.
NOT APPROVED	± 70 PSF



DWG NO. US23-3100-05

DRN BY DAW	DATE 10/09/09	CHK BY JAW	DATE 10/10/09	REV. 1	DATE 5/30/14
------------	---------------	------------	---------------	--------	--------------

ASSA ABLOY