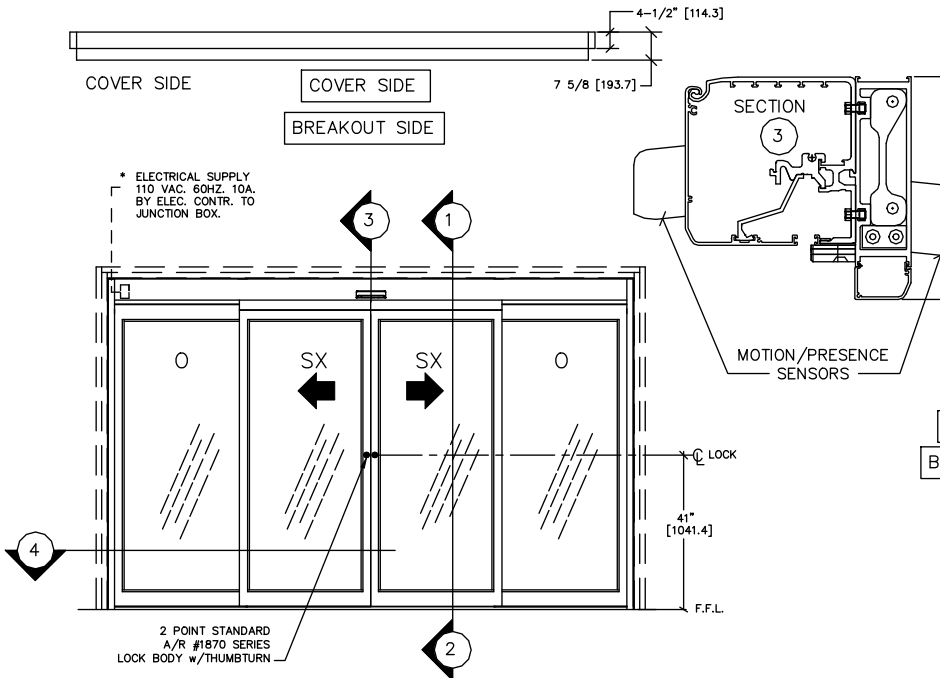


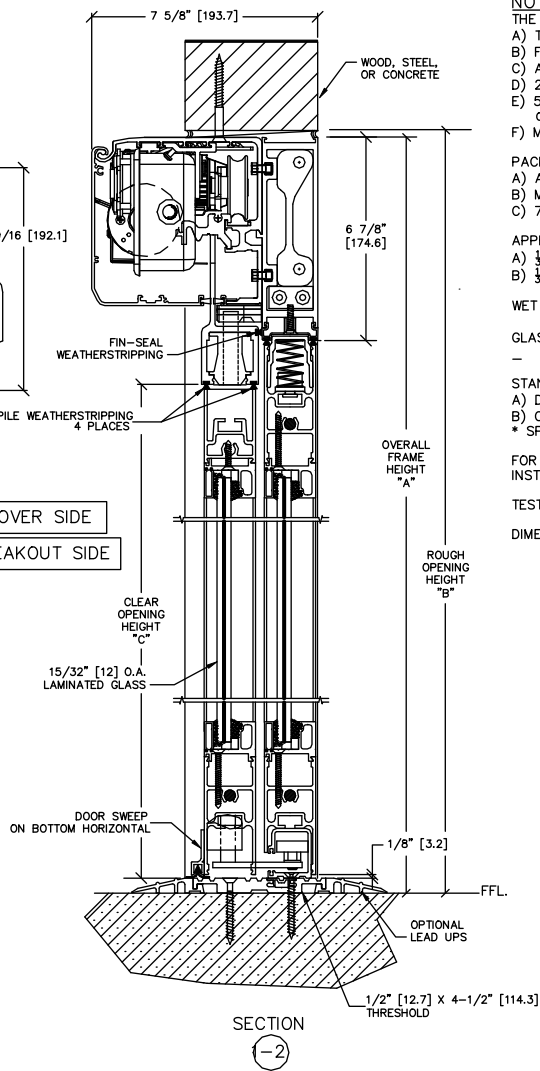
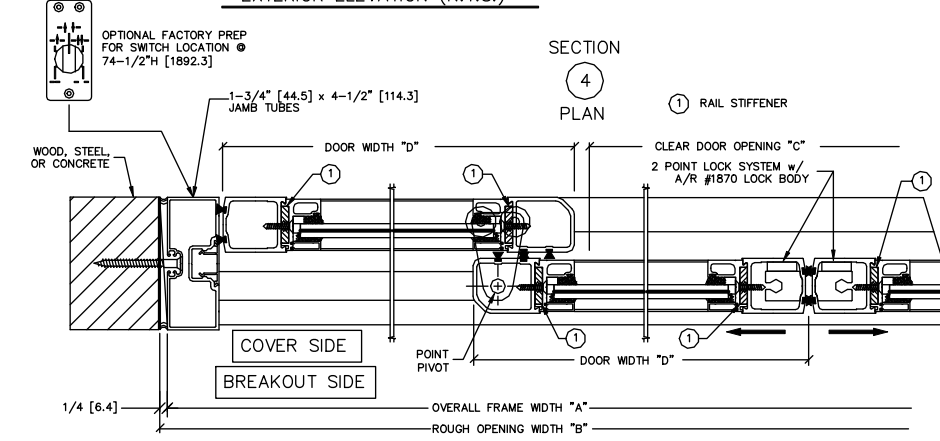
ASSA ABLOY

ASSA ABLOY Entrance Systems
1900 Airport Road
Monroe, NC 28110
Phone: 1-866-237-2687
specdesk.na.besam@assaabloy.com

BESAM RESILIENCE
OVERHEAD CONCEALED, NARROW STILE
FIXED SIDELITE, BI-PARTING,
LARGE & SMALL MISSILE IMPACT DOOR SYSTEM



EXTERIOR ELEVATION (N.T.S.)



SECTION 1-2

NOTES

- THE STANDARD PACKAGE CONSISTS OF:
A) THE AUTOMATIC OPERATOR
B) FRAMES, DOORS & SIDELITES WITH WEATHERSTRIPPING
C) ACTIVE LEAF EMERGENCY BREAKOUT FUNCTIONALITY
D) 2-POINT LOCK
E) 5-POSITION SWITCH OR 3-POSITION SWITCH
OFF, EXIT ONLY, AUTO, REDUCED OPENING, HOLD-OPEN OR OFF, AUTO, HOLD-OPEN
F) MOTION/PRESENCE SENSORS

PACKAGE OPTIONS:

- A) ACTIVE LEAF BREAKOUT DAMPERS
B) MEDIUM OR WIDE DOOR STILES
C) 7" OR 10" BOTTOM DOOR RAILS

APPROVED GLASS OPTIONS:

- A) 1/2" O.A. LAMINATED: 1/8" HS - .090" SOLUTIA SAFLEX® PVB - 1/8" HS
B) 1/2" O.A. LAMINATED: 1/8" HS - .090" DUPONT SENTRYGLAS PLUS® - 1/8" HS

WET GLAZE WITH DOW 995 SILICONE - FOLLOW MANUFACTURER'S INSTRUCTIONS

GLASS SIZE: OFW/4 - 4 5/8" X OFH - 16 3/4"
- [1 .5] [425.5]

STANDARD FINISHES:

- A) DARK BRONZE - AA-M12C22A44, CLASS 1, .018 MM
B) CLEAR - AA-M12C22A41, CLASS 1, .018 MM
* SPECIAL FINISHES ARE AVAILABLE

FOR MAXIMUM CURRENT DRAW, SEE PRODUCT SPECIFICATION,
INSTALLATION INSTRUCTIONS, OR THE UL LABEL ON THE EQUIPMENT.

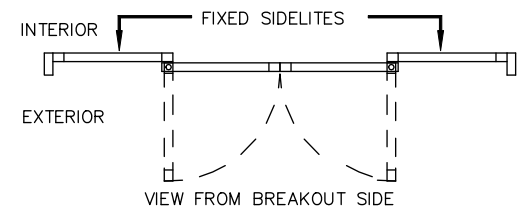
TEST PROTOCOLS: TAS 201, TAS 202 & TAS 203

REF. FL# 16128

DIMENSIONS ARE IN INCHES
[MM]

	OPENING SIZE DATA			
	OVERALL FRAME SIZE "A"	ROUGH OPENING "B"	CLEAR OPENING "C"	DOOR WIDTH "D"
AT MAX WIDTH	168 [4267.2]	168 1/2" [4279.6]	70 3/16" [1782.6]	42 11/16" [1084.3]
WIDTH FORMULA	B - 1/2" [12.7]	A + 1/2" [12.7]	A/2 - 13 13/16" [350.8]	A/4 + 11/16" [17.5]
AT MAX HEIGHT	90 [2286]	90 1/2" [2298.7]	80 1/2" [2044.7]	
HEIGHT FORMULA	B - 1/2" [12.7]	A + 1/2" [12.7]	A - 7 1/2" [190.5]	

REFER TO APPLICABLE BUILDING CODES FOR EGRESS REQUIREMENTS



DWG NO.	US23-3100-08
DRN BY	CLW
DATE	6/28/04
CHK BY	JAW
DATE	6/29/04
REV.	J
DATE	5/30/14

DESIGN PRESSURE RATING	
WHERE WATER INFILTRATION REQUIREMENT IS NEEDED.	WHERE WATER INFILTRATION REQUIREMENT IS NOT NEEDED.
NOT APPROVED	± 70 PSF

ASSA ABLOY