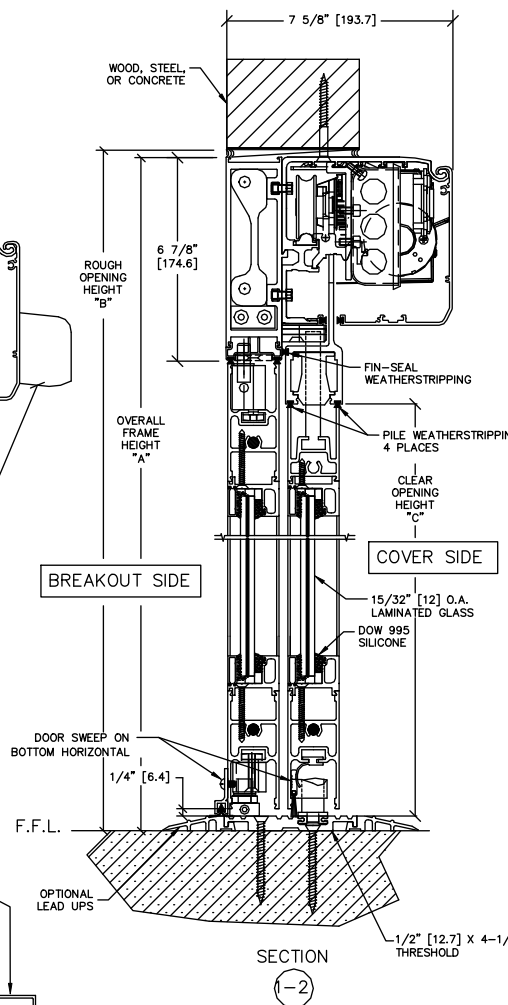
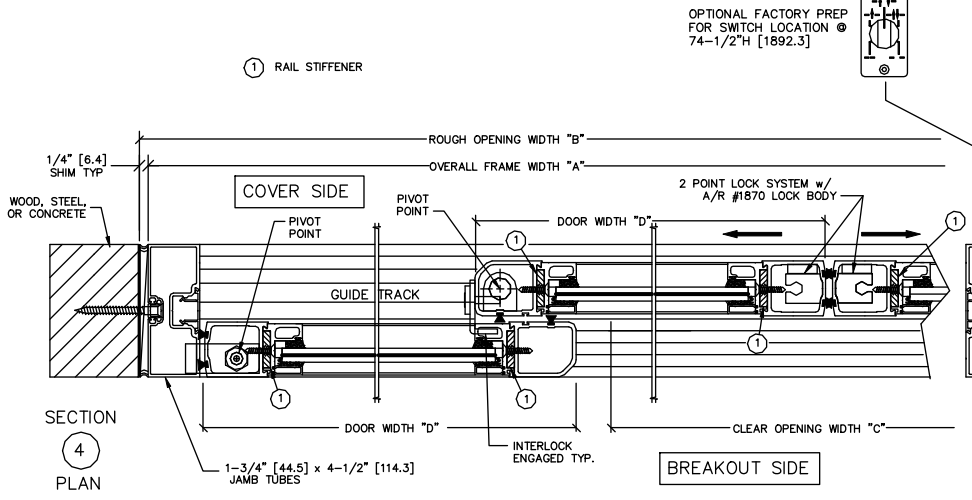
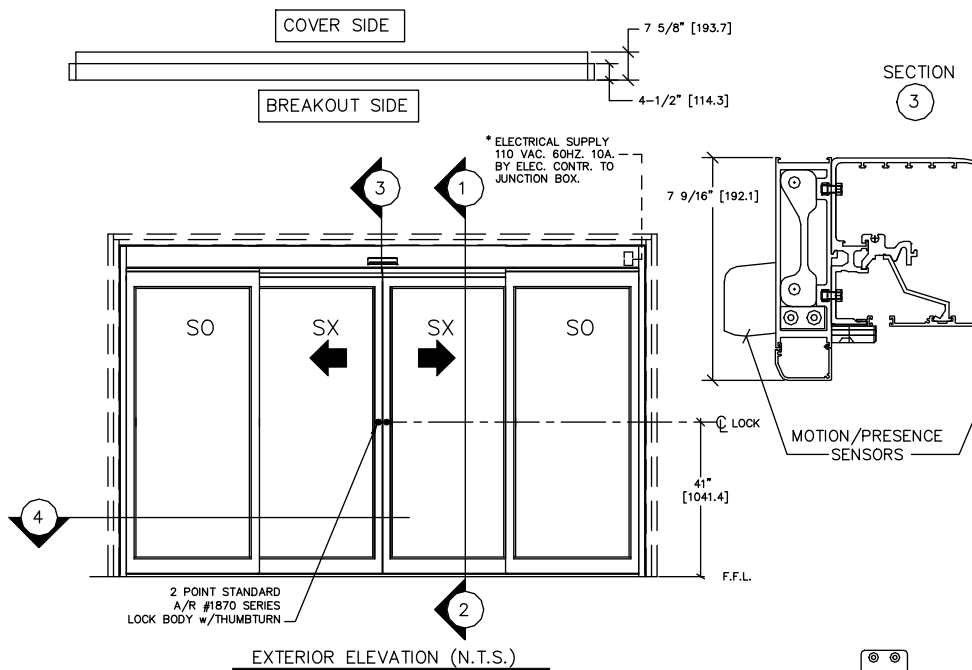


ASSA ABLOY

ASSA ABLOY Entrance Systems
1900 Airport Road
Monroe, NC 28110
Phone: 1-866-237-2687
specdesk.no.besam@assaabloy.com

BESAM RESILIENCE
OVERHEAD CONCEALED NARROW STILE
FULL BREAKOUT, BI-PARTING
LARGE & SMALL MISSILE IMPACT DOOR SYSTEM



NOTES

- THE STANDARD PACKAGE CONSISTS OF:
 A) THE AUTOMATIC OPERATOR
 B) FRAMES, DOORS & SIDELITES WITH WEATHERSTRIPPING
 C) ACTIVE LEAF AND SIDELITE EMERGENCY BREAKOUT FUNCTIONALITY
 D) 2-POINT LOCK
 E) 5-POSITION SWITCH OR 3-POSITION SWITCH
 OFF, EXIT ONLY, AUTO, REDUCED OPENING, HOLD OPEN OR OFF, AUTO, HOLD-OPEN
 F) MOTION/PRESENCE SENSORS

- PACKAGE OPTIONS:
 A) PANIC DEVICE; A/R G86
 B) MEDIUM OR WIDE DOOR STILES
 C) 7" OR 10" BOTTOM DOOR RAILS

- APPROVED GLASS OPTIONS:
 A) 3/8" O.A. LAMINATED: 3/8" HS - .090" SOLUTIA SAFLEX® PVB - 3/8" HS
 B) 1/2" O.A. LAMINATED: 1/2" HS - .090" DUPONT SENTRYGLAS PLUS® - 1/2" HS

WET GLAZE WITH DOW 995 SILICONE - FOLLOW MANUFACTURER'S INSTRUCTIONS

GLASS SIZE: OFW/4 - 4 5/8" X O.A. OFH - 16 3/4"
 - [117.5] [425.5]

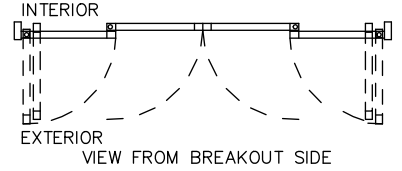
- STANDARD FINISHES:
 A) DARK BRONZE - AA-M12C22A44, CLASS 1, .018 MM
 B) CLEAR - AA-M12C22A41, CLASS 1, .018 MM
 * SPECIAL FINISHES ARE AVAILABLE

FOR MAXIMUM CURRENT DRAW, SEE PRODUCT SPECIFICATION, INSTALLATION INSTRUCTIONS, OR THE UL LABEL ON THE EQUIPMENT.

TEST PROTOCOLS: TAS 201, TAS 202 & TAS 203
 REF. MIAMI-DADE PRODUCT CONTROL NOA# 12-1231.07
 FL# 16128

	OPENING SIZE DATA			
	OVERALL FRAME SIZE "A"	ROUGH OPENING "B"	CLEAR OPENING "C"	DOOR WIDTH "D"
AT MAX WIDTH	168" [4267.2]	168 1/2" [4279.9]	70 3/16" [1782.8]	42 11/16" [1084.3]
WIDTH FORMULA	B - 1/2" [12.7]	A + 1/2" [12.7]	A/2 - 13 13/16" [350.8]	A/4 + 11/16" [17.5]
AT MAX HEIGHT	92" [2336.8]	92 1/2" [2349.5]	82 1/2" [2095.5]	
HEIGHT FORMULA	B + 1/2" [12.7]	A + 1/2" [12.7]	A - 7 1/2" [190.5]	

REFER TO APPLICABLE BUILDING CODES FOR EGRESS REQUIREMENTS



DIMENSIONS ARE IN INCHES [MM]

DESIGN PRESSURE RATING	
WHERE WATER INFILTRATION REQUIREMENT IS NEEDED.	WHERE WATER INFILTRATION REQUIREMENT IS NOT NEEDED.
NOT APPROVED	± 70 PSF

DWG NO. US23-3100-11
 DRN BY CLW DATE 06/28/04 CHK BY JAW DATE 06/29/04 REV. 1 DATE 5/30/14

ASSA ABLOY