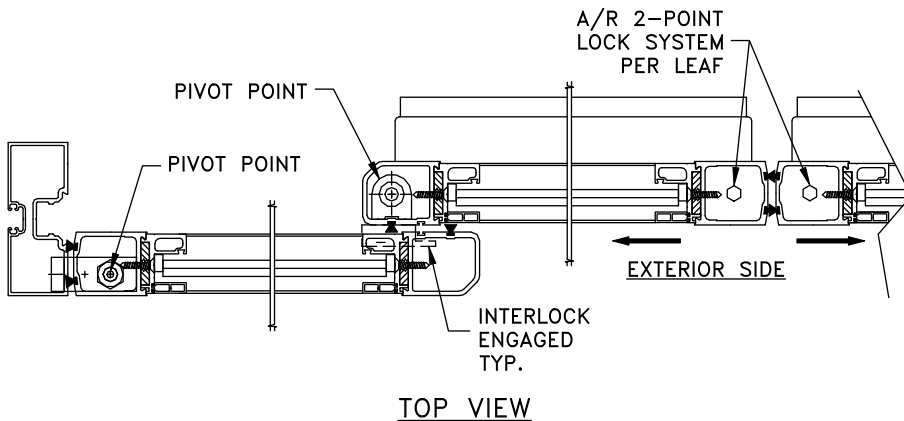
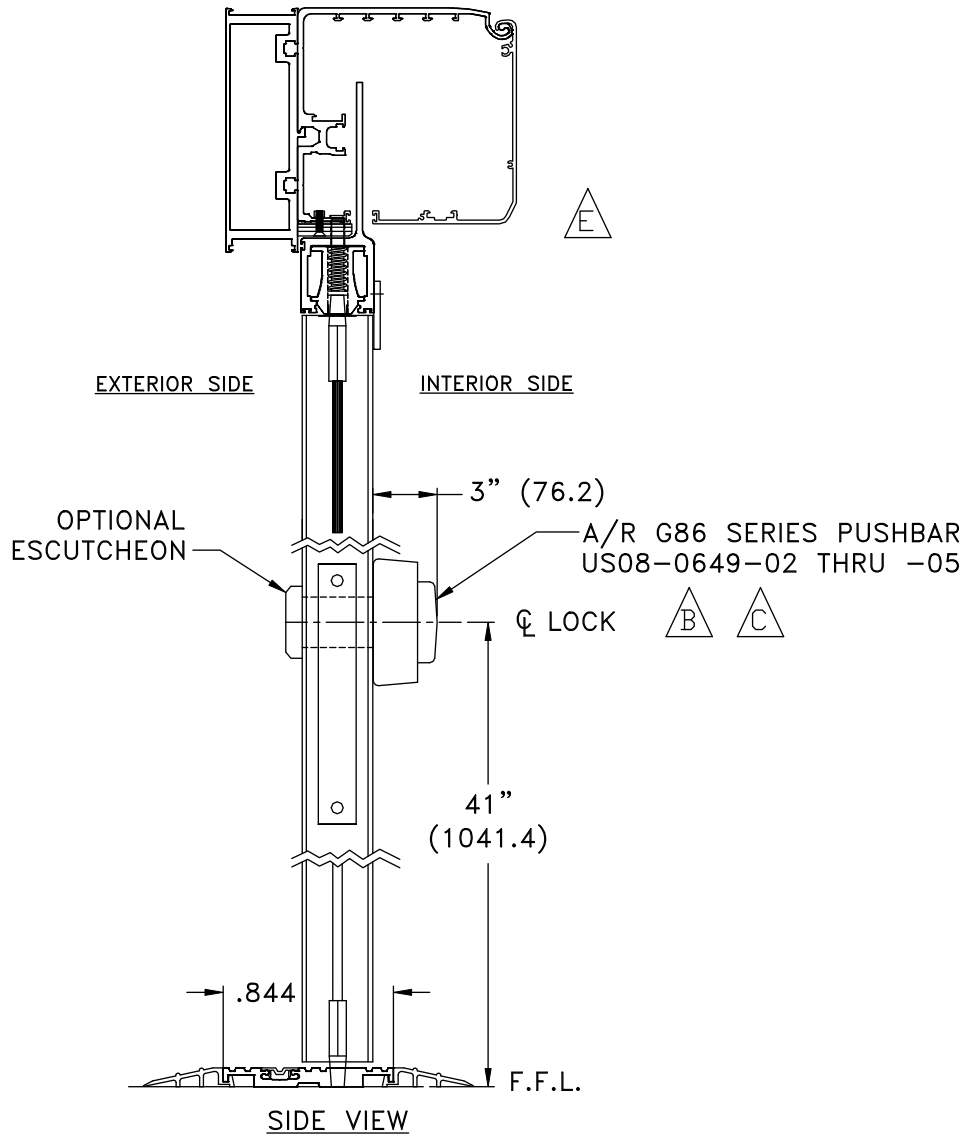


REVISIONS				
ZONE	REV	DESCRIPTION	Date	APPROVED
	D	G86 LOCK, GUTTER & SNAP UPDATED	9/20/13	SS
	E	COVER CHANGED.	11/5/13	CLW
	F	LOGO CHANGE	5/30/14	CAT



ASSA ABLOY

ASSA ABLOY Entrance Systems
1900 Airport Road
Monroe, NC 28110
Phone: 1-866-237-2687
specdesk.na.besam@assaabloy.com

UNLESS OTHERWISE SPECIFIED
DIMENSIONS ARE IN INCHES AND
INCLUDE THICKNESS OF COATINGS
TOLERANCES ON:
2-PLACE DECIMALS .#1 ALL
3-PLACE DECIMALS .#05 SURF
ANGLES .#5 125/

BESAM RESILIENCE FBO
SERIES PANIC DEVICE

SIZE
A

DWG. NO.

US23-3100-14

REV
F

DRN.BY CLW DATE 11/10/04

CHK.BY JAW DATE 11/10/04

SCALE 1:1

SHEET 1 OF 1