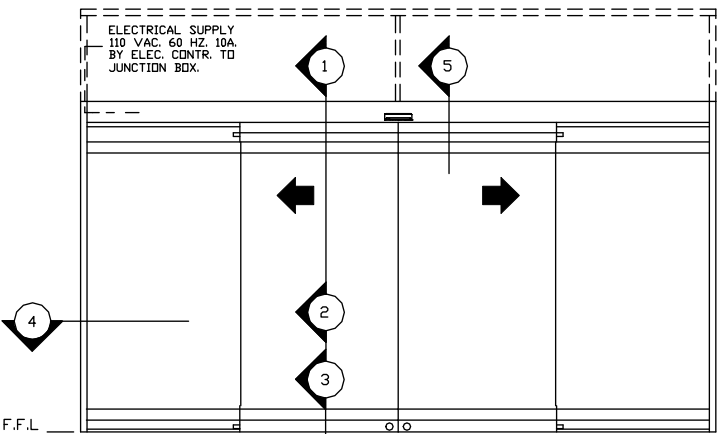


ASSA ABLOY

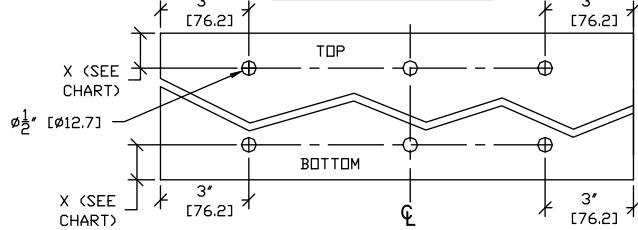
ASSA ABLOY Entrance Systems
1900 Airport Road
Monroe, NC 28110
Phone: 1-866-237-2687
specdesk.na.besam@assaabloy.com

BESAM SL500 CGL
OVERHEAD CONCEALED, FIXED SIDELITE,
BI-PART DOOR SYSTEM

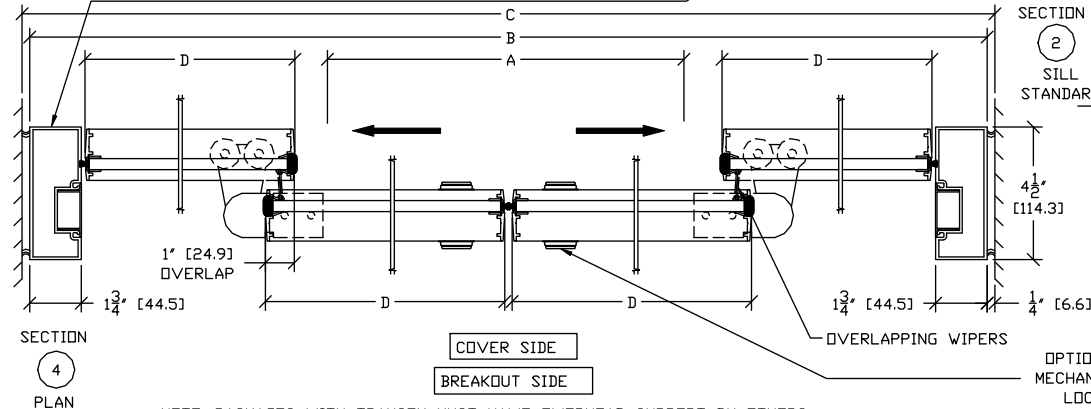


EXTERIOR ELEVATION

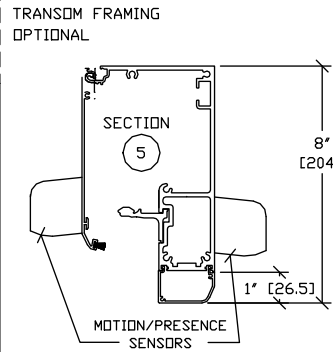
ACTIVE LEAF GLASS PREP



GLASS WIDTH	X
3/8"	1 9/16" [39.7]
1/2"	1 3/16" [30.2]

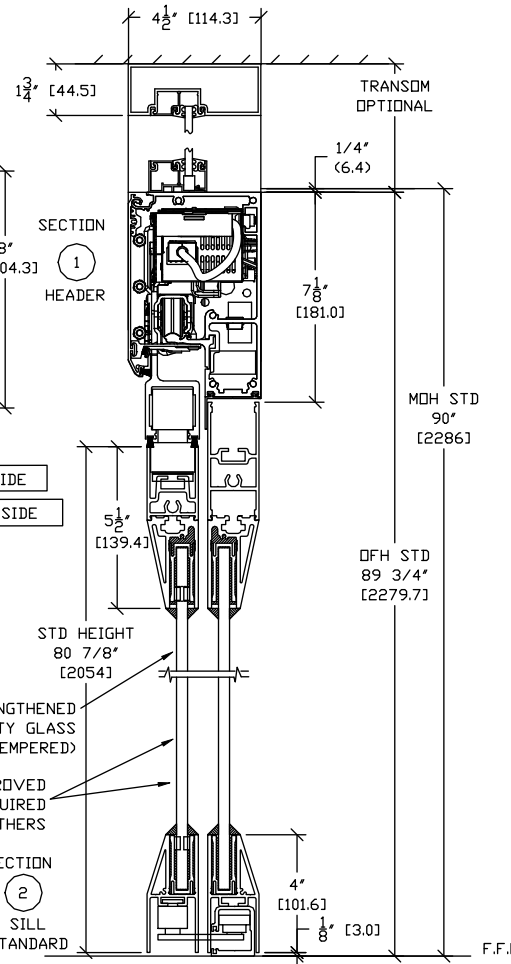


NOTE: PACKAGES WITH TRANSOM MUST HAVE OVERHEAD SUPPORT BY OTHERS.



COVER SIDE

BREAKOUT SIDE



SECTION 2
SILL
STANDARD

SECTION 3
(OPTIONAL)
SURFACE MTD.
THRESHOLD
W/LEADUPS

NOTE: THE STANDARD PACKAGE CONSISTS OF:
THE AUTOMATIC OPERATOR & WEATHERSTRIP, FRAMES, DOORS &
SIDELITES WITH VERTICAL WEATHERSTRIP, EMERGENCY BREAKAWAY
OPTIONAL POSITION SWITCHES (DIGITAL (3 OR 5) OR KEY (5)),
DOFF-EXIT ONLY-AUTO-REDUCED OPENING-HOLD OPEN OR
OFF, AUTO, HOLD OPEN) AND MOTION/PRESENCE SENSORS.

LOCKING DEVICES ARE AVAILABLE AS AN OPTIONAL EXTRA
MANUAL AS SHOWN, MOUNTED IN BOTTOM OF ACTIVE LEAF;
OR AUTOMATIC (NOT SHOWN), MOUNTED IN OPERATOR HEADER.

STANDARD FINISH: CLEAR- AA-M12C22A41, CLASS 1, .018 MM.
DARK BRONZE- AA-M12C22A44, CLASS 1, .018 MM.
SPECIAL FINISHES ARE AVAILABLE.

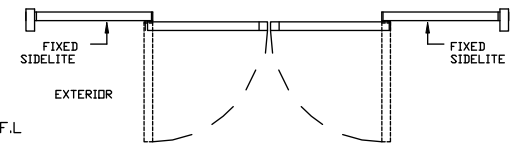
THIS PACKAGE WILL ACCEPT 3/8" OR 1/2" HEAT STRENGTHENED SAFETY
GLASS.

NOTE DRAWING IS DIMENSIONED IN BOTH ENGLISH AND METRIC
REF. AS FOLLOWS 1" (25.4) ALL METRIC SIZES ARE MILLIMETERS.

* FOR MAXIMUM CURRENT DRAW PER OPERATOR, SEE PRODUCT SPECIFICATION,
INSTALLATION INSTRUCTIONS, OR THE UL
LABEL ON THE EQUIPMENT.

REFER TO RELEVANT (LOCAL, STATE, NATIONAL OR AHJ) BUILDING CODE FOR
MIN DOOR HEIGHT & MIN/MAX WIDTH ALLOWABLE
FOR EGRESS REQUIREMENT IN CONJUNCTION WITH TABLE BELOW.

DFW	DOOR OPENING A	OVERALL FRAME WIDTH B	MASONRY OPENING WIDTH C	ACTIVE & SIDELITE LEAF WIDTH D
10	46 1/8" (1171.6)	120" (3048)	120 1/2" (3060.7)	29 1/2" (749.3)
12	58 1/8" (1476.4)	144" (3657.6)	144 1/2" (3670.3)	35 1/2" (901.7)
14	70 1/8" (1781.2)	168" (4267.2)	168 1/2" (4279.3)	41 1/2" (1054.1)
16	82 1/8" (2085.3)	192" (4876.8)	192 1/2" (4889.5)	47 1/2" (1206.5)
KEY	B/2-13 7/8" (352.4)	C-1/2" (12.7)	B+1/2" (12.7)	B/4-1/2" (12.7)



DWG NO: 1010471

DRN BY	CLW	DATE	6/4/13	CHK BY	SS	DATE	6/4/13	REV.	3.0	DATE	5/28/14

ASSA ABLOY