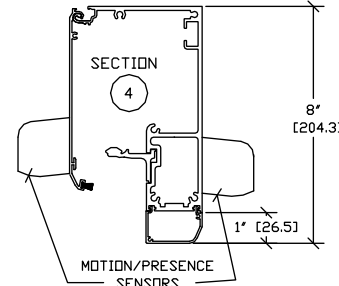
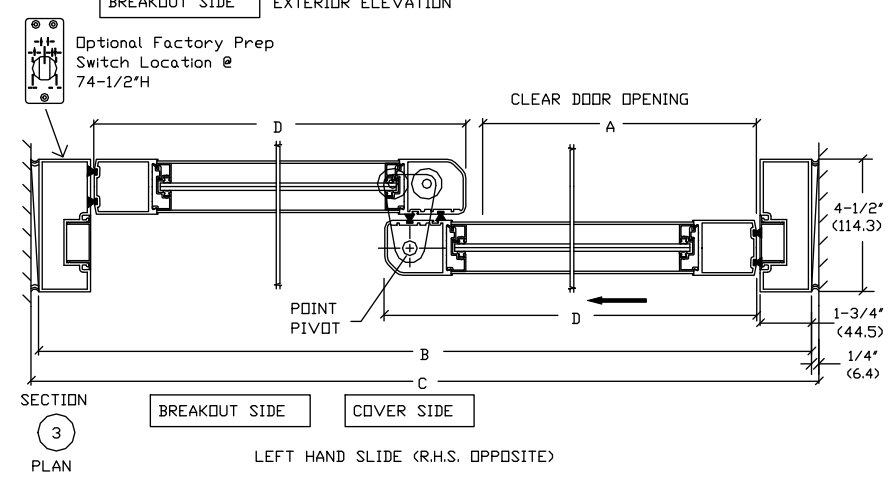
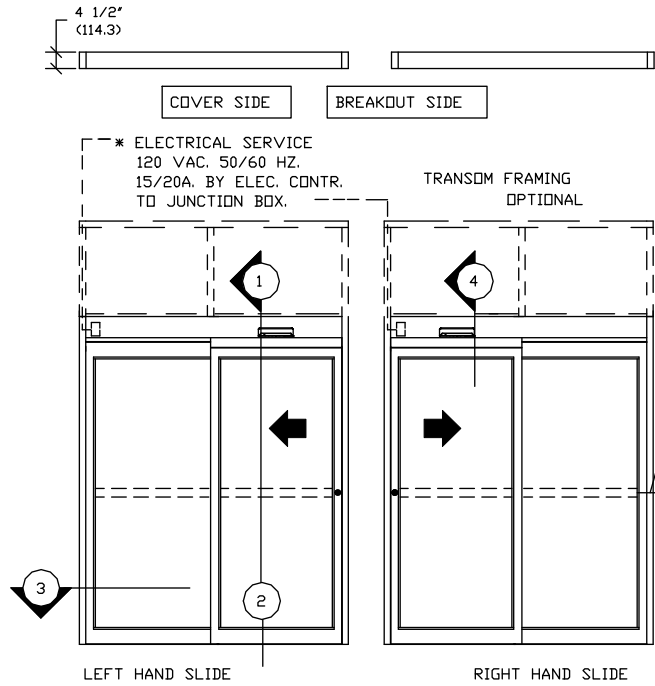


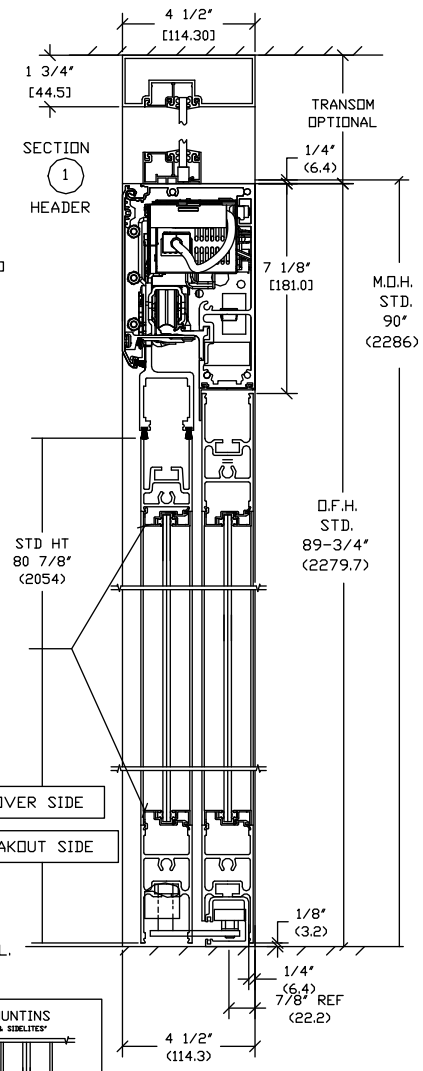
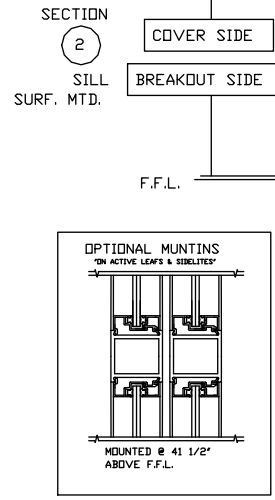
**ASSA ABLOY**

ASSA ABLOY Entrance Systems  
1900 Airport Road  
Monroe, NC 28110  
Phone: 1-866-237-2687  
specdesk.no.besam@assaabloy.com

**BESAM SL500**  
OVERHEAD CONCEALED FIXED SIDELITE  
NARROW STILE SINGLE SLIDE DOOR SYSTEM



NON REMOVABLE  
SECURITY TYPE  
GLAZING BEAD  
SYSTEM (TYP.)  
1/4" STANDARD.  
(6.4)



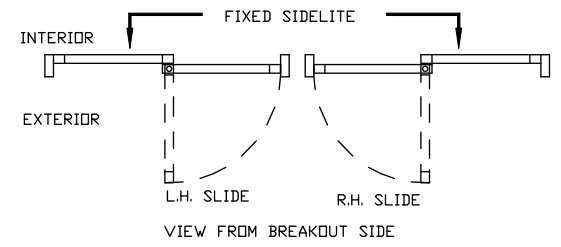
NOTE: THE STANDARD PACKAGE CONSISTS OF:  
THE AUTOMATIC OPERATOR & WEATHERSTRIP, FRAMES, DOORS &  
SIDELITES WITH VERTICAL WEATHERSTRIP, EMERGENCY BREAKAWAY  
& 2-POINT LOCK, OPTIONAL POSITION SWITCHES (DIGITAL (3 OR 5)  
OR KEY (5)), (OFF-EXIT ONLY-AUTO-REDUCED OPENING-HOLD OPEN  
DR, OFF, AUTO, HOLD OPEN), MOTION/PRESENCE SENSORS, OPTIONAL  
6" JAMBS.  
STANDARD FINISH: CLEAR- AA-M12C22A41, CLASS 1, .018 MM.  
DARK BRONZE- AA-M12C22A44, CLASS 1, .018 MM.  
SPECIAL FINISHES ARE AVAILABLE.  
THIS PACKAGE WILL ACCEPT UP TO 1" (25.4) INSULATED GLASS

NOTE DRAWING IS DIMENSIONED IN BOTH ENGLISH AND METRIC  
REF. AS FOLLOWS 1" (25.4) ALL METRIC SIZES ARE MILLIMETERS.  
\* FOR MAXIMUM CURRENT DRAW PER OPERATOR, SEE PRODUCT SPECIFICATION,  
INSTALLATION INSTRUCTIONS, OR THE UL  
LABEL ON THE EQUIPMENT.  
REFER TO RELEVANT (LOCAL, STATE, NATIONAL OR AHJ) BUILDING CODE FOR  
MIN DOOR HEIGHT & MIN/MAX WIDTH ALLOWABLE.  
FOR EGRESS REQUIREMENT IN CONJUNCTION WITH TABLE BELOW.

| SL500<br>DHC | DOOR<br>OPENING<br>A          | OVERALL<br>FRAME<br>WIDTH<br>B | MASONRY<br>OPENING<br>WIDTH<br>C | ACTIVE &<br>SIDELITE<br>LEAF WIDTH<br>D |
|--------------|-------------------------------|--------------------------------|----------------------------------|---|
| DC3-7        | 35 1/4"<br>(895.4)            | 84"<br>(2133.6)                | 84 1/2"<br>(2146.3)              | 41 1/2"<br>(1054.1)                     |
| DC3-8        | 41 1/4"<br>(1047.8)           | 96"<br>(2438.4)                | 96 1/2"<br>(2451.1)              | 47 1/2"<br>(1206.5)                     |
| DC3-8-6      | 44 1/4"<br>(1124)             | 102"<br>(2590.8)               | 102 1/2"<br>(2603.5)             | 50 1/2"<br>(1282.7)                     |
| DC3-9        | 47 1/4"<br>(1200.2)           | 108"<br>(2743.2)               | 108 1/2"<br>(2755.9)             | 53 1/2"<br>(1358.9)                     |
| KEY          | (B/2)-6 3/4"<br>(B/2)-(171.5) | (C-1/2")<br>(C-12.7)           | (B+1/2B/2)-1/2"<br>(B+12.7)      | 47 1/2"<br>(1206.5)                     |

STANDARD GLASS SIZES ARE AS FOLLOWS:

| SL500<br>DHC |        | 1/4"(6.4)                      | 5/8"(15.9) AND 1"(25.4)        |
|--------------|--------|--------------------------------|--------------------------------|
| DC3-7        | W      | 36 5/8"(930.3)                 | 36 3/8"(923.9)                 |
|              | H      | 73 7/8"(1876.4)                | 73 3/8"(1863.7)                |
| DC3-8        | W      | 42 5/8"(1082.7)                | 42 3/8"(1076.3)                |
|              | H      | 73 7/8"(1876.4)                | 73 3/8"(1863.7)                |
| DC3-8-6      | W      | 45 5/8"(1158.9)                | 45 3/8"(1152.5)                |
|              | H      | 73 7/8"(1876.4)                | 73 3/8"(1863.7)                |
| DC3-9        | W      | 48 5/8"(1235.1)                | 48 3/8"(1228.7)                |
|              | H      | 73 7/8"(1876.4)                | 73 3/8"(1863.7)                |
| KEY          | WIDTH  | (B/2)-5 3/8"<br>(B/2)-(136.5)  | (B/2)-5 5/8"<br>(B/2)-(142.9)  |
|              | HEIGHT | (DFH)-15 7/8"<br>(DFH)-(403.2) | (DFH)-16 3/8"<br>(DFH)-(415.9) |



DWG NO: 1009860

|        |     |      |         |        |    |      |          |      |     |      |         |
|--------|-----|------|---------|--------|----|------|----------|------|-----|------|---------|
| DRN BY | CLW | DATE | 11/9/12 | CHK BY | SS | DATE | 11/14/12 | REV. | 3.0 | DATE | 5/28/14 |
|--------|-----|------|---------|--------|----|------|----------|------|-----|------|---------|

**ASSA ABLOY**