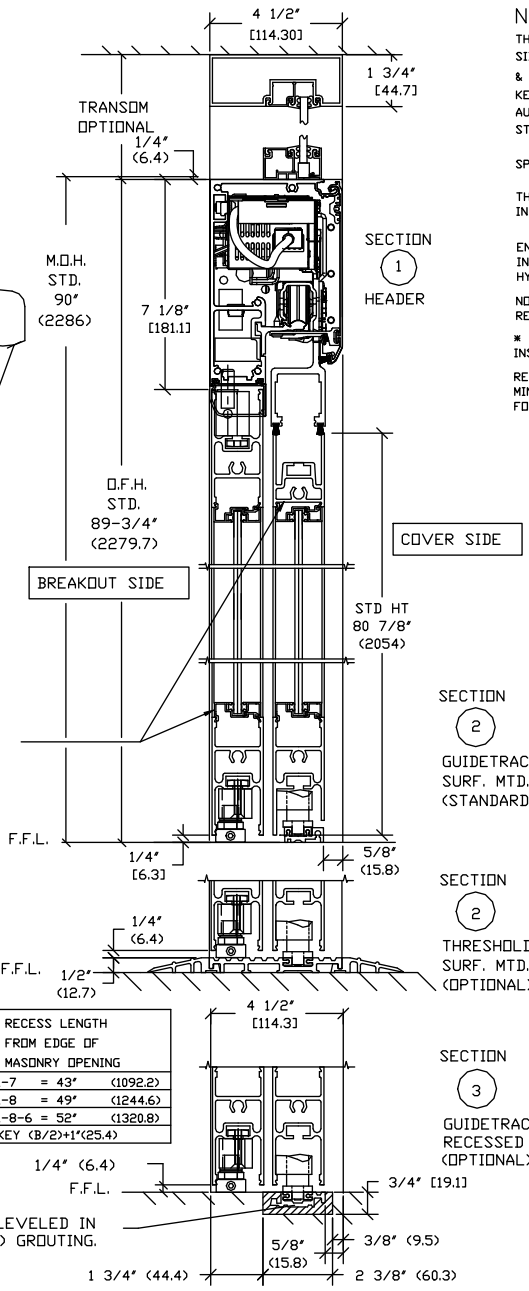
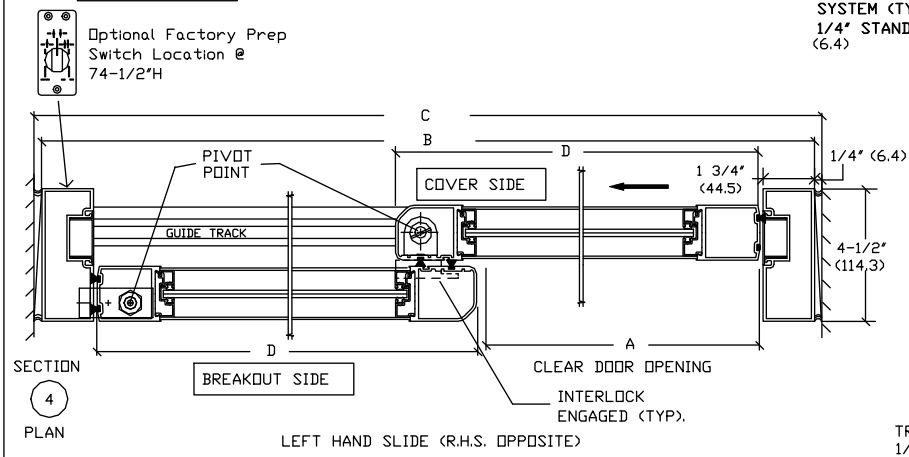
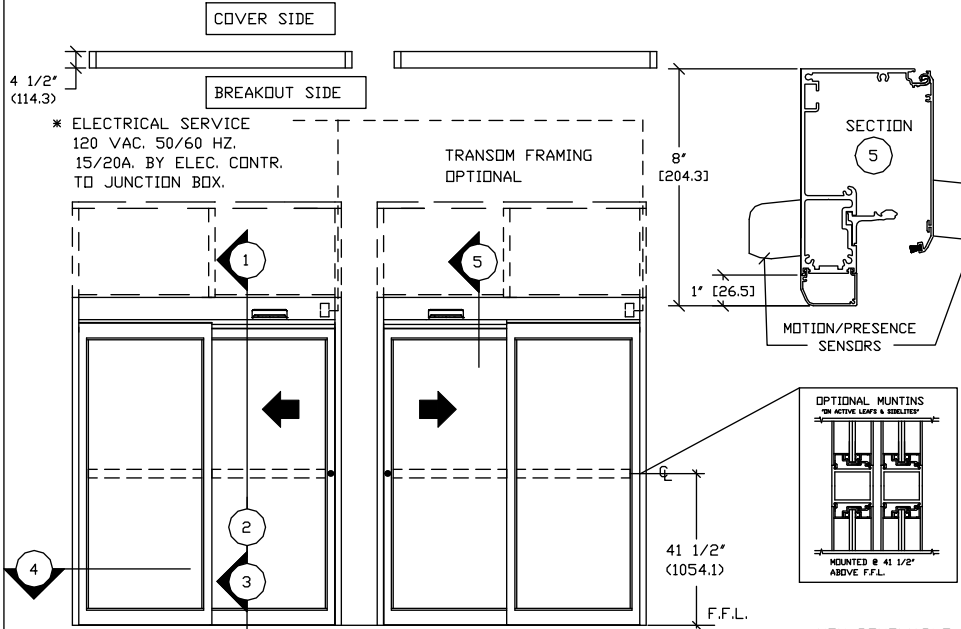


ASSA ABLOY

ASSA ABLOY Entrance Systems
1900 Airport Road
Monroe, NC 28110
Phone: 1-866-237-2687
specdesk.no.besam@assaabloy.com

BESAM SL500
OVERHEAD CONCEALED FULL BREAKOUT
NARROW STILE SINGLE SLIDE DOOR SYSTEM



NOTE: THE STANDARD PACKAGE CONSISTS OF:
THE AUTOMATIC OPERATOR & WEATHERSTRIP. FRAMES, DOORS &
SIDELITES WITH VERTICAL WEATHERSTRIP, EMERGENCY BREAKAWAY
& 1-POINT LOCK. OPTIONAL POSITION SWITCHES (DIGITAL (3 DR 5) OR
KEY (5)), (OFF-EXIT ONLY-AUTO-REDUCED OPENING-HOLD OPEN, OR OFF,
AUTO, HOLD OPEN), MOTION/PRESENCE SENSORS, OPTIONAL 6" JAMBS.
STANDARD FINISH: CLEAR- AA-M12C22A41, CLASS 1, .018 MM.
DARK BRONZE- AA-M12C22A44, CLASS 1, .018 MM
SPECIAL FINISHES ARE AVAILABLE.

THIS PACKAGE WILL ACCEPT UP TO 1"(25.4) INSULATED GLASS
IN THE SIDELITES AND ACTIVE LEAVES. PLEASE INDICATE IF SO DESIRED.

ENHANCE YOUR BESAM SL500 PACKAGE WITH ECODDDR OPTIONS TO IMPROVE AIR
INFILTRATION PERFORMANCE. CHOOSE FROM: ECODDDR SEALS, MAGNETIC CATCHES,
HYDRAULIC CLOSERS, INSULATED GLASS.

NOTE DRAWING IS DIMENSIONED IN BOTH ENGLISH AND METRIC
REF. AS FOLLOWS 1" (25.4) ALL METRIC SIZES ARE MILLIMETERS.

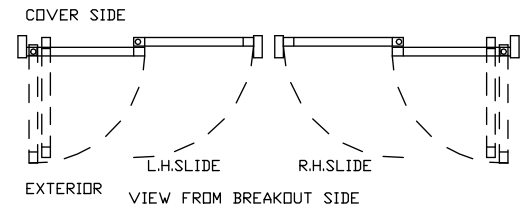
* FOR MAXIMUM CURRENT DRAW PER OPERATOR, SEE PRODUCT SPECIFICATION, INSTALLATION
INSTRUCTIONS, OR THE UL LABEL ON THE EQUIPMENT.

REFER TO RELEVANT (LOCAL, STATE, NATIONAL OR AHJ) BUILDING CODE FOR
MIN DOOR HEIGHT & MIN/MAX WIDTH ALLOWABLE
FOR EGRESS REQUIREMENT IN CONJUNCTION WITH TABLE BELOW.

SL500 DHC	DOOR OPENING A	OVERALL FRAME WIDTH B	MASONRY OPENING WIDTH C	ACTIVE & SIDELITE LEAF WIDTH D
DCI-7	35 1/4" (895.4)	84" (2133.6)	84 1/2" (2146.3)	41 1/2" (1054.1)
DCI-8	41 1/4" (1047.8)	96" (2438.4)	96 1/2" (2451.1)	47 1/2" (1206.5)
DCI-8-6	44 1/4" (1124)	102" (2590.8)	102 1/2" (2603.5)	50 1/2" (1282.7)
DCI-9	47 1/4" (1200.2)	108" (2743.2)	108 1/2" (2755.9)	53 1/2" (1358.9)
KEY	(B/2)-6 3/4" (B/2)-(171.5)	(C-1/2") (C-12.7)	(B+1/2)(B/2)-1/2" (B+12.7)	

STANDARD GLASS SIZES ARE AS FOLLOWS:

SL500 DHC	1/4"(6.4)	5/8"(15.9) AND 1"(25.4)
DCI-7	W 36 5/8"(930.3) H 73 7/8" (1876.4)	36 3/8"(923.9) 73 3/8" (1863.7)
DCI-8	W 42 5/8"(1082.7) H 73 7/8" (1876.4)	42 3/8"(1076.3) 73 3/8" (1863.7)
DCI-8-6	W 45 5/8"(1158.9) H 73 7/8" (1876.4)	45 3/8"(1152.5) 73 3/8" (1863.7)
DCI-9	W 48 5/8"(1235.1) H 73 7/8" (1876.4)	48 3/8"(1228.7) 73 3/8" (1863.7)
KEY	WIDTH (B/2)-5 3/8" (B/2)-(136.5)	(B/2)-5 5/8" (B/2)-(142.9)
HEIGHT	(D/H)-15 7/8" (D/H)-(403.2)	(D/H)-16 3/8" (D/H)-(415.9)



DWG NO: 1009862

DRN BY	CLW	DATE	11/9/12	CHK BY	SS	DATE	11/14/12	REV.	5.0	DATE	1/21/15
--------	-----	------	---------	--------	----	------	----------	------	-----	------	---------

ASSA ABLOY