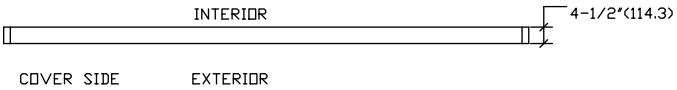


ASSA ABLOY

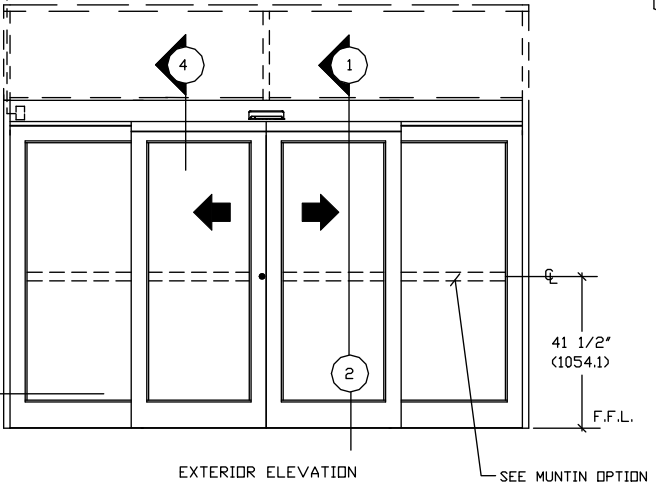
ASSA ABLOY Entrance Systems
1900 Airport Road
Monroe, NC 28110
Phone: 1-866-237-2687
specdesk.na.besam@assaabloy.com

BESAM SL500
OVERHEAD CONCEALED FIXED SIDELITE
MEDIUM STYLE BI-PART SLIDING DOOR SYSTEM

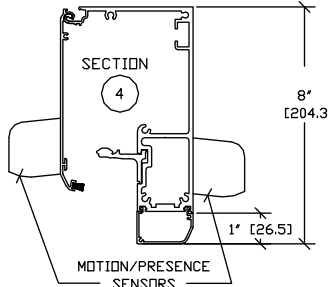


* ELECTRICAL SERVICE
120 VAC, 50/60 HZ,
15/20A, BY ELEC. CONTR.
TO JUNCTION BOX.

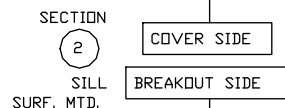
TRANSOM FRAMING
OPTIONAL



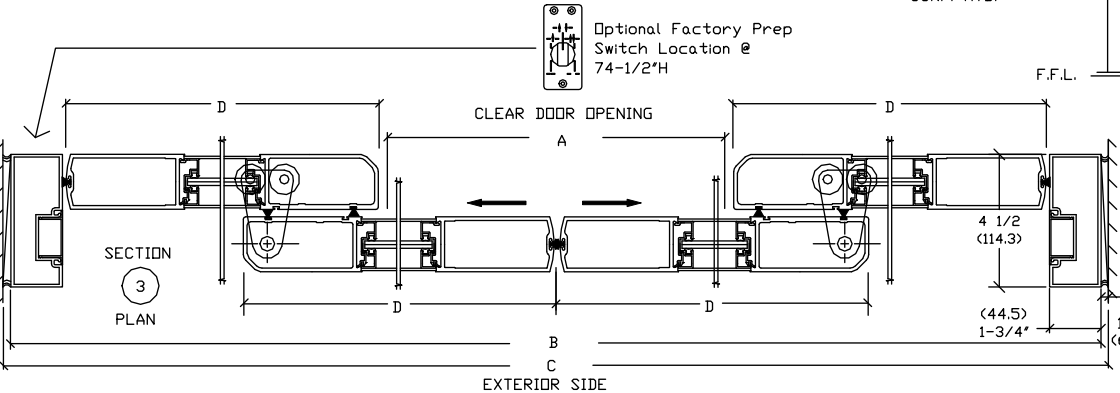
EXTERIOR ELEVATION SEE MUNTIN OPTION



NON REMOVABLE
SECURITY TYPE
GLAZING BEAD
SYSTEM (TYP.)
1/4" STANDARD.
(6.4)

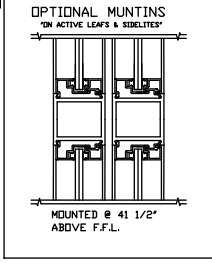
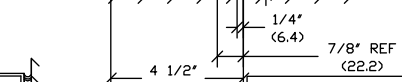
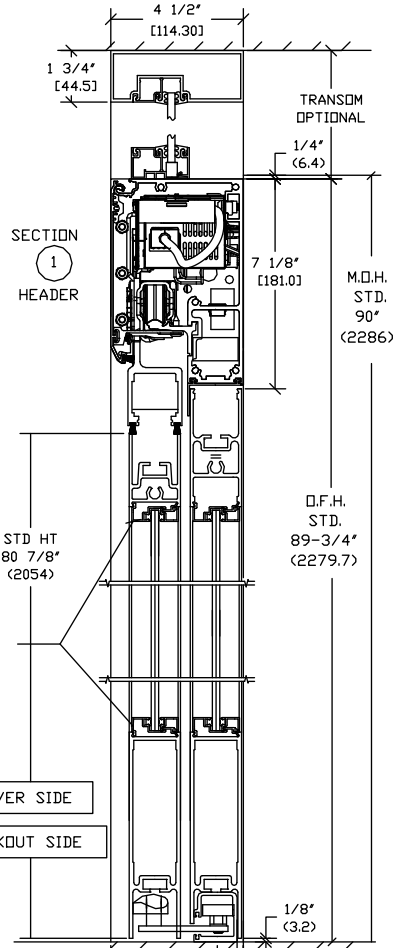


SECTION 2 SILL SURF. MTD. COVER SIDE BREAKOUT SIDE



EXTERIOR SIDE

NOTE: PACKAGES WITH TRANSOM MUST HAVE OVERHEAD SUPPORT BY OTHERS.



NOTE: THE STANDARD PACKAGE CONSISTS OF:
THE AUTOMATIC OPERATOR & WEATHERSTRIP. FRAMES, DOORS &
SIDELITES WITH VERTICAL WEATHERSTRIP, EMERGENCY BREAKAWAY
& 2-POINT LOCK. OPTIONAL POSITION SWITCHES (DIGITAL (3 DR 5) DR
KEY (5)), OFF-EXIT ONLY-AUTO-REDUCED OPENING-HOLD OPEN DR,
OFF, AUTO, HOLD OPEN), MOTION/PRESENCE SENSORS, OPTIONAL 6"
JAMBS.

STANDARD FINISH: CLEAR- AA-M12C22A41, CLASS 1, .018 MM.
DARK BRONZE- AA-M12C22A44, CLASS 1, .018 MM.
SPECIAL FINISHES ARE AVAILABLE.

THIS PACKAGE WILL ACCEPT UP TO 1" (25.4) INSULATED GLASS
ENHANCE YOUR BESAM SL500 PACKAGE WITH ECDDOOR OPTIONS TO IMPROVE AIR
INFILTRATION PERFORMANCE. CHOOSE FROM: ECDDOOR SEALS, MAGNETIC CATCHES,
HYDRAULIC CLOSERS, INSULATED GLASS.

NOTE: DRAWING IS DIMENSIONED IN BOTH ENGLISH AND METRIC
REF. AS FOLLOWS 1" (25.4) ALL METRIC SIZES ARE MILLIMETERS.

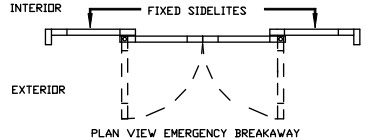
* FOR MAXIMUM CURRENT DRAW PER OPERATOR, SEE PRODUCT SPECIFICATION,
INSTALLATION INSTRUCTIONS, OR THE UL LABEL ON THE EQUIPMENT.

REFER TO RELEVANT (LOCAL, STATE, NATIONAL OR AHJ) BUILDING CODE FOR
MIN DOOR HEIGHT & MIN/MAX WIDTH ALLOWABLE
FOR EGRESS REQUIREMENT IN CONJUNCTION WITH TABLE BELOW.

SL500 DHC	DOOR OPENING A	OVERALL FRAME WIDTH B	HANDRY OPENING WIDTH C	ACTIVE & SIDELITE LEAF WIDTH D
DCB-8	30 3/4" (781)	96" (2438.4)	96 1/2" (2451.1)	25 1/4" (641.3)
DCB-10	42 3/4" (1085.8)	120" (3048)	120 1/2" (3060.7)	31 1/4" (793.7)
DCB-12	54 3/4" (1390.6)	144" (3657.6)	144 1/2" (3670.3)	37 1/4" (946.1)
DCB-14	66 3/4" (1695.4)	168" (4267.2)	168 1/2" (4279.9)	43 1/4" (1098.5)
DCB-16	78 3/4" (2000.2)	192" (4876.8)	192 1/2" (4889.5)	49 1/4" (1250)
KEY	(B/2)-17 1/4" (B/2)-(438.1)	(C-12.7) (C-12.7)	(B+1/2B/4)+1 1/4" (B+12.7)	1/4" (B/4)+(31.8)

STANDARD GLASS SIZES ARE AS FOLLOWS:

SL500 DHC		1/4"(6.4)	5/8"(15.9) AND 1"(25.4)
DCB-8	W	16 3/4"(425.4)	16 1/2"(419.1)
	H	71 11/16 (1820.9)	71 3/16" (1808.2)
DCB-10	W	22 3/4"(577.8)	22 1/2"(571.5)
	H	71 11/16 (1820.9)	71 3/16" (1808.2)
DCB-12	W	28 3/4"(730.2)	28 1/2"(723.9)
	H	71 11/16 (1820.9)	71 3/16" (1808.2)
DCB-14	W	34 3/4"(882.6)	34 1/2"(876.3)
	H	71 11/16 (1820.9)	71 3/16" (1808.2)
DCB-16	W	40 3/4"(1035)	40 1/2"(1028.7)
	H	71 11/16 (1820.9)	71 3/16" (1808.2)
KEY	WIDTH	(B/4)-7 1/4" (B/4)-(184.2)	(B/4)-7 1/2" (B/4)-(190.5)
	HEIGHT	(DFH)-18 1/16" (DFH)-(458.8)	(DFH)-18 9/16" (DFH)-(471.5)



DWG NO: 1009863

DRN BY	CLW	DATE	11/9/12	CHK BY	SS	DATE	11/14/12	REV.	3.0	DATE	5/28/14

ASSA ABLOY