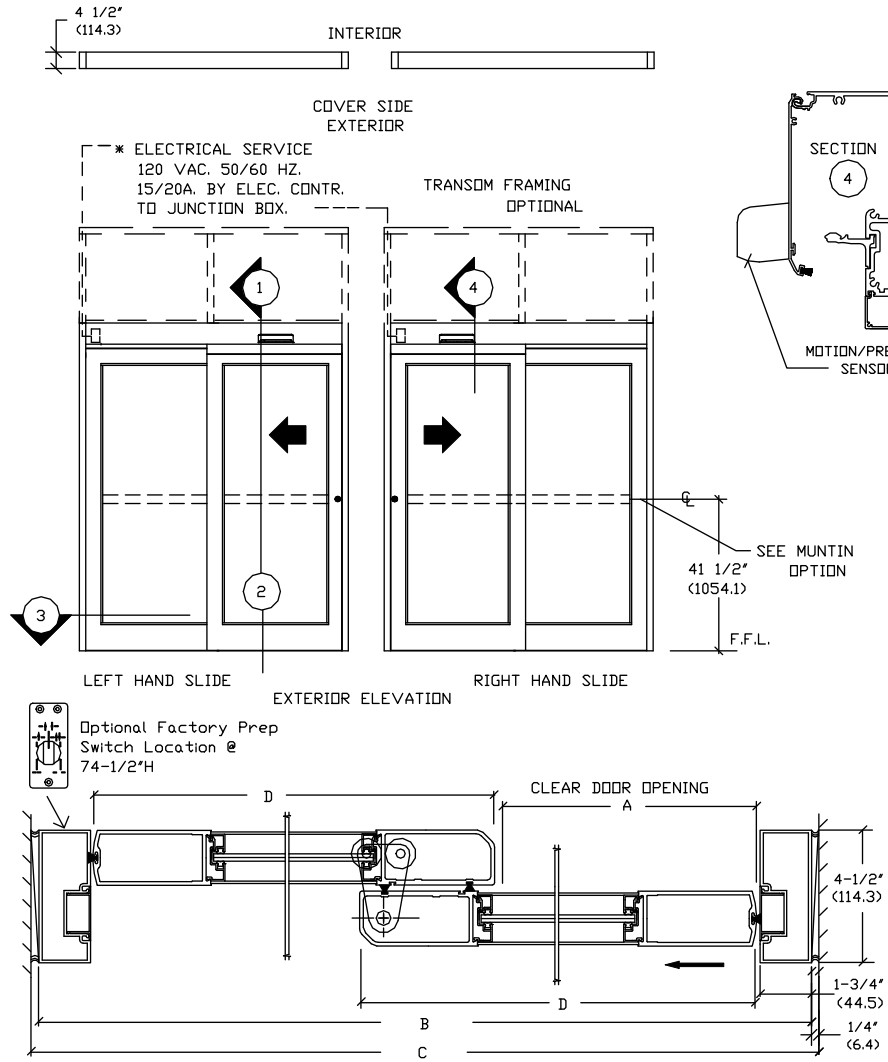


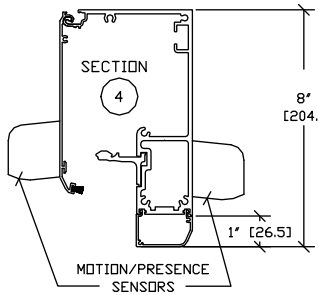
ASSA ABLOY

ASSA ABLOY Entrance Systems
1900 Airport Road
Monroe, NC 28110
Phone: 1-866-237-2687
specdesk.no.besam@assaabloy.com

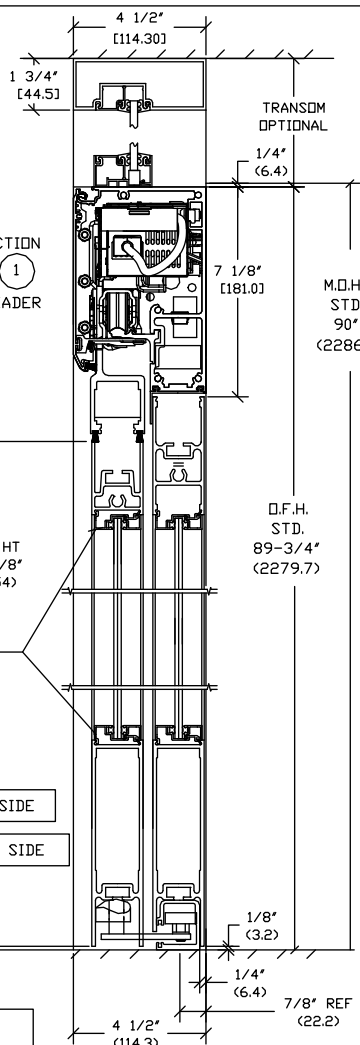
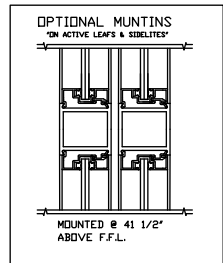
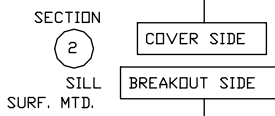
BESAM SL500
OVERHEAD CONCEALED FIXED SIDELITE
MEDIUM STYLE SINGLE SLIDE DOOR SYSTEM



SECTION 3
PLAN
EXTERIOR SIDE
LEFT HAND SLIDE (R.H.S. OPPOSITE)



NON REMOVABLE SECURITY TYPE GLAZING BEAD SYSTEM (TYP.) 1/4" STANDARD. (6.4)



SECTION 1
HEADER
M.O.H. STD. 90" (2286)
D.F.H. STD. 89-3/4" (2279.7)
STD HT 80 7/8" (2054)
F.F.L.
1/8" (3.2)
1/4" (6.4)
7/8" REF (22.2)
4 1/2" (114.3)

NOTE: THE STANDARD PACKAGE CONSISTS OF:
THE AUTOMATIC OPERATOR & WEATHERSTRIP. FRAMES, DOORS & SIDELITES WITH VERTICAL WEATHERSTRIP, EMERGENCY BREAKAWAY & 2-POINT LOCK. OPTIONAL 5 OR 3 POSITION SWITCHES (DIGITAL (3 OR 5) OR KEY (5)), (OFF-EXIT ONLY-AUTO-REDUCED OPENING-HOLD OPEN OR, OFF.

AUTO, HOLD OPEN), MOTION/PRESENCE SENSORS, OPTIONAL 6" JAMBS.
STANDARD FINISH: CLEAR- AA-M12C22A41, CLASS 1, .018 MM.
DARK BRONZE- AA-M12C22A44, CLASS 1, .018 MM.
TRANSOM FRAMING- AA-M12C22A44, CLASS 1, .018 MM.

ENHANCE YOUR BESAM SL500 PACKAGE WITH ECDDOOR OPTIONS TO IMPROVE AIR INFILTRATION PERFORMANCE. CHOOSE FROM: ECDDOOR SEALS, MAGNETIC CATCHES, HYDRAULIC CLOSERS, INSULATED GLASS.

NOTE DRAWING IS DIMENSIONED IN BOTH ENGLISH AND METRIC REF. AS FOLLOWS 1" (25.4) ALL METRIC SIZES ARE MILLIMETERS.

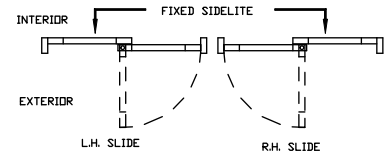
* FOR MAXIMUM CURRENT DRAW PER OPERATOR, SEE PRODUCT SPECIFICATION, INSTALLATION INSTRUCTIONS, OR THE UL LABEL ON THE EQUIPMENT.

REFER TO RELEVANT (LOCAL, STATE, NATIONAL OR AHJ) BUILDING CODE FOR MIN DOOR HEIGHT & MIN/MAX WIDTH ALLOWABLE FOR EGRESS REQUIREMENT IN CONJUNCTION WITH TABLE BELOW.

SL500 DHC	DOOR OPENING A	OVERALL FRAME WIDTH B	MASONRY OPENING WIDTH C	ACTIVE & SIDELITE LEAF WIDTH D
DC7-7	32 1/2" (825.5)	84" (2133.6)	84 1/2" (2146.3)	42 3/8" (1076.3)
DC7-8	38 1/2" (977.9)	96" (2438.4)	96 1/2" (2451.1)	48 3/8" (1228.7)
DC7-8-6	41 1/2" (1054.1)	102" (2590.8)	102 1/2" (2603.5)	51 3/8" (1304.9)
KEY	(B/2)-9 1/2" (B/2)-(241.3)	(C-12.7)	(B+1/2)*9 1/8" (B+12.7)	(B/2)+(9.5)

STANDARD GLASS SIZES ARE AS FOLLOWS:

SL500 DHC	GLASS SIZE	GLASS SIZE
DC7-7	W 33 7/8" (860.4) H 71 11/16" (1820.9)	33 5/8" (854.1) 71 3/16" (1808.2)
DC7-8	W 39 7/8" (1012.8) H 71 11/16" (1820.9)	39 5/8" (1006.5) 71 3/16" (1808.2)
DC7-8-6	W 42 7/8" (1089) H 71 11/16" (1820.9)	42 5/8" (1082.6) 71 3/16" (1808.2)
KEY	WIDTH (B/2)-8 1/8" (B/2)-(206.4)	(B/2)-8 3/8" (B/2)-(212.7)
HEIGHT	(D/H)-18 1/16" (D/H)-(458.8)	(D/H)-18 9/16" (D/H)-(471.5)



DWG NO: 1009864

DRN BY	CLW	DATE	11/9/12	CHK BY	SS	DATE	11/14/12	REV.	3.0	DATE	5/28/14

ASSA ABLOY