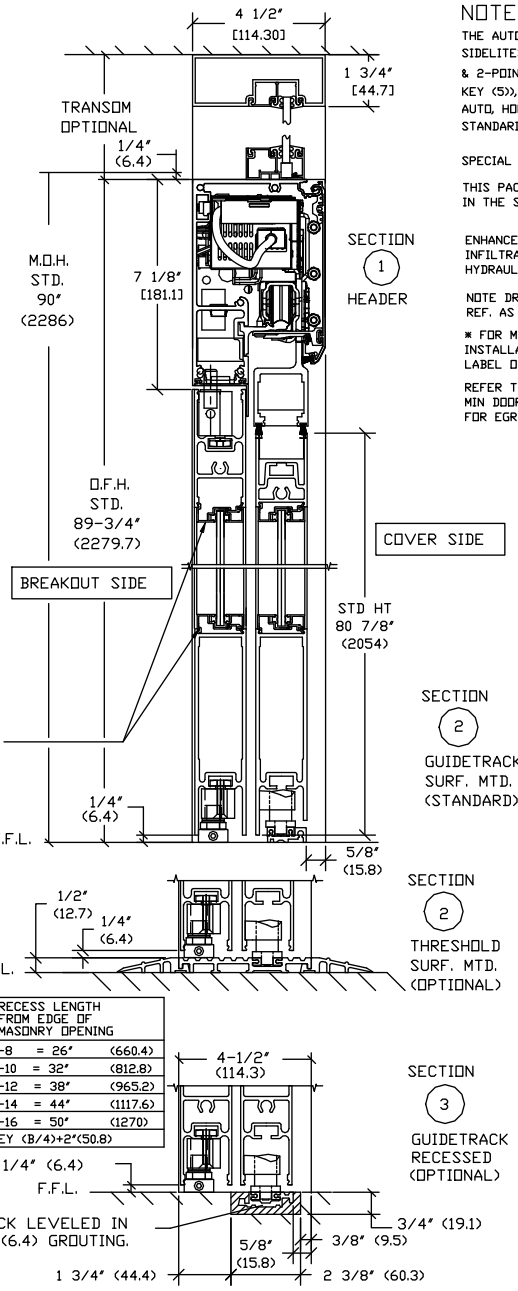
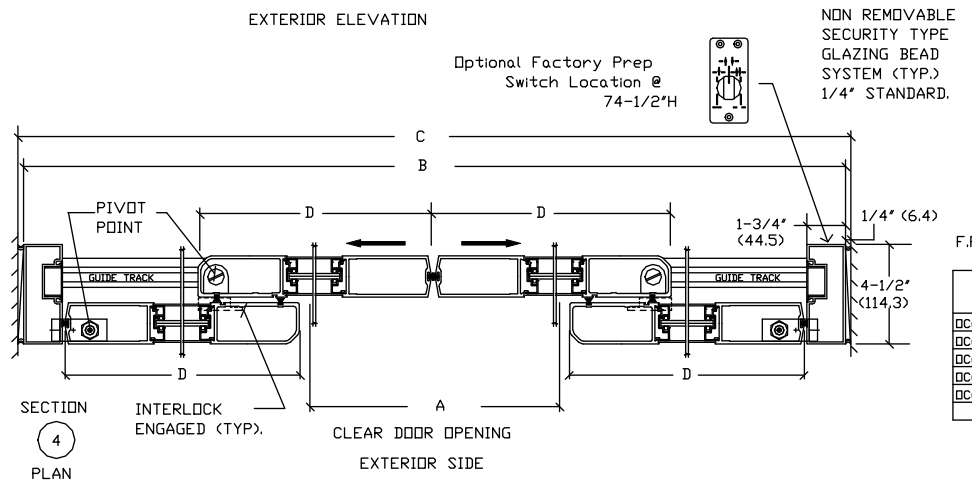
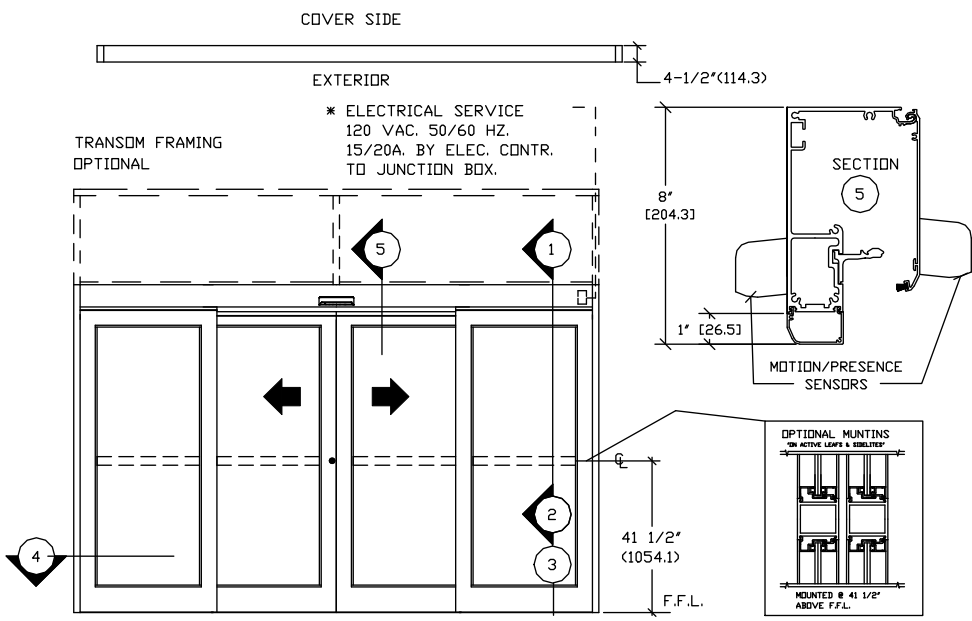


ASSA ABLOY

ASSA ABLOY Entrance Systems
1900 Airport Road
Monroe, NC 28110
Phone: 1-866-237-2687
specdesk.no.besam@assaabloy.com

BESAM SL500
OVERHEAD CONCEALED FULL BREAKOUT
MEDIUM STILE BI-PART SLIDING DOOR SYSTEM



NOTE: THE STANDARD PACKAGE CONSISTS OF: THE AUTOMATIC OPERATOR & WEATHERSTRIP, FRAMES, DOORS & SIDELITES WITH VERTICAL WEATHERSTRIP, EMERGENCY BREAKAWAY & 2-POINT LOCK. OPTIONAL POSITION SWITCHES (DIGITAL (3 DR 5) DR KEY (5)), (OFF-EXIT ONLY-AUTO-REDUCED OPENING-HOLD OPEN OR OFF, AUTO, HOLD OPEN), MOTION/PRESENCE SENSORS, OPTIONAL 6" JAMBS. STANDARD FINISH: CLEAR- AA-M12C22A41, CLASS 1, .018 MM. DARK BRONZE- AA-M12C22A44, CLASS 1, .018MM. SPECIAL FINISHES ARE AVAILABLE.

THIS PACKAGE WILL ACCEPT UP TO 1"(25.4) INSULATED GLASS IN THE SIDELITES AND ACTIVE LEAVES. PLEASE INDICATE IF SO DESIRED.

ENHANCE YOUR BESAM SL500 PACKAGE WITH ECDDOOR OPTIONS TO IMPROVE AIR INFILTRATION PERFORMANCE. CHOOSE FROM: ECDDOOR SEALS, MAGNETIC CATCHES, HYDRAULIC CLOSERS, INSULATED GLASS.

NOTE: DRAWING IS DIMENSIONED IN BOTH ENGLISH AND METRIC REF. AS FOLLOWS 1" (25.4) ALL METRIC SIZES ARE MILLIMETERS.

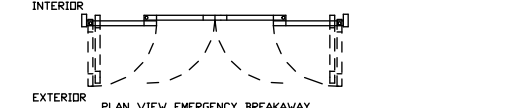
* FOR MAXIMUM CURRENT DRAW PER OPERATOR, SEE PRODUCT SPECIFICATION, INSTALLATION INSTRUCTIONS, OR THE UL LABEL ON THE EQUIPMENT.

REFER TO RELEVANT (LOCAL, STATE, NATIONAL OR AHJ) BUILDING CODE FOR MIN DOOR HEIGHT & MIN/MAX WIDTH ALLOWABLE FOR EGRESS REQUIREMENT IN CONJUNCTION WITH TABLE BELOW.

SL500 DHC	DOOR OPENING A	OVERALL FRAME WIDTH B	MASONRY OPENING WIDTH C	ACTIVE & SIDELITE LEAF WIDTH D
DC6-8	30 3/4" (781)	96" (2438.4)	96 1/2" (2451.1)	25 1/4" (641.3)
DC6-10	42 3/4" (1085.8)	120" (3048)	120 1/2" (3060.7)	31 1/4" (793.7)
DC6-12	54 3/4" (1390.6)	144" (3657.6)	144 1/2" (3670.3)	37 1/4" (946.1)
DC6-14	66 3/4" (1695.4)	168" (4279.2)	168 1/2" (4291.9)	43 1/4" (1098.5)
DC6-16	78 3/4" (2000.2)	192" (4876.8)	192 1/2" (4889.5)	49 1/4" (1250)
KEY	(B/2)-17 1/4" (B/2)-(438.1)	(C-12.7) (C-12.7)	(B+1/2B/4)+1/4" (B+12.7)	(B/4)+(31.8)

STANDARD GLASS SIZES ARE AS FOLLOWS:

SL500 DHC		1/4" (6.4)	5/8" (15.9) AND 1" (25.4)
DC6-8	W	16 3/4" (425.4)	16 1/2" (419.1)
	H	71 11/16" (1820.9)	71 3/16" (1808.2)
DC6-10	W	22 3/4" (577.8)	22 1/2" (571.5)
	H	71 11/16" (1820.9)	71 3/16" (1808.2)
DC6-12	W	28 3/4" (730.2)	28 1/2" (723.9)
	H	71 11/16" (1820.9)	71 3/16" (1808.2)
DC6-14	W	34 3/4" (882.6)	34 1/2" (876.3)
	H	71 11/16" (1820.9)	71 3/16" (1808.2)
DC6-16	W	40 3/4" (1035)	40 1/2" (1028.7)
	H	71 11/16" (1820.9)	71 3/16" (1808.2)
KEY	WIDTH	(B/4)-7 1/4" (B/4)-(184.2)	(B/4)-7 1/2" (B/4)-(190.5)
	HEIGHT	(DFH)-18 1/16" (DFH)-(458.8)	(DFH)-18 9/16" (DFH)-(471.5)



DWG NO: 1009865

DRN BY	CLW	DATE	11/9/12	CHK BY	SS	DATE	11/14/12	REV.	5.0	DATE	1/21/15

ASSA ABLOY

THE FOLLOWING REQUIRE OVERHEAD SUPPORT BY OTHERS: PACKAGES OVER 16' OVERALL FRAME WIDTH, OVER 90' OVERALL FRAME HEIGHT, TRANSOM, OR GLASS OTHER THAN 1/4" THICKNESS.