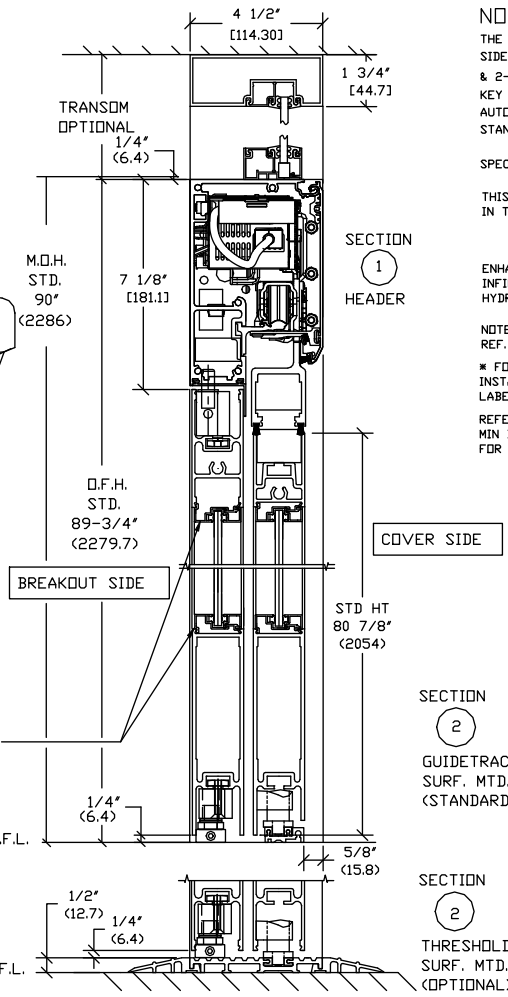
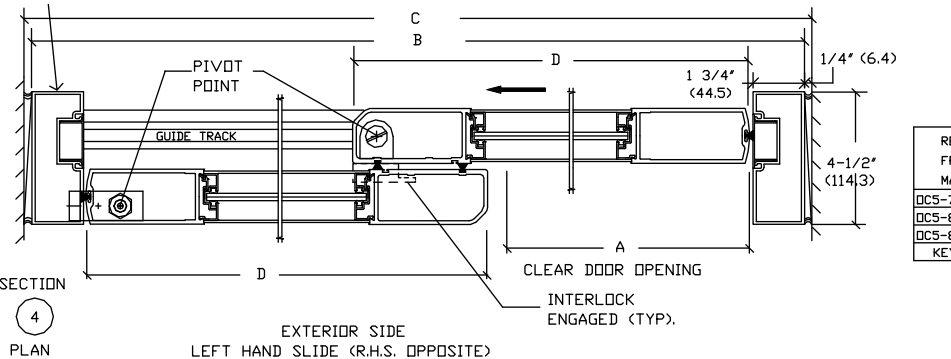
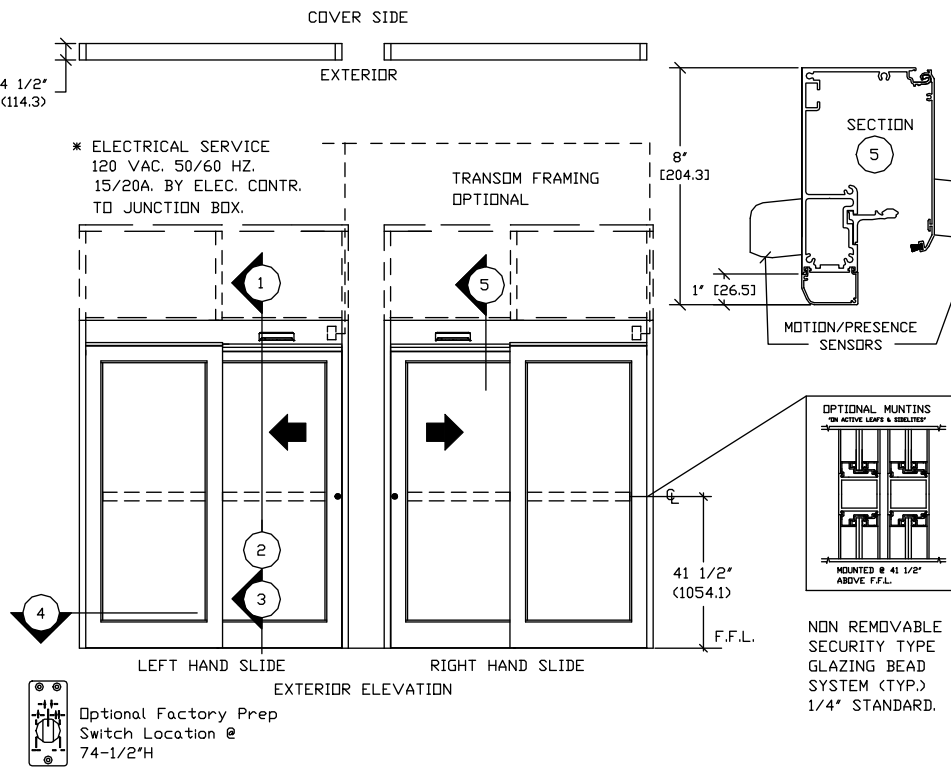


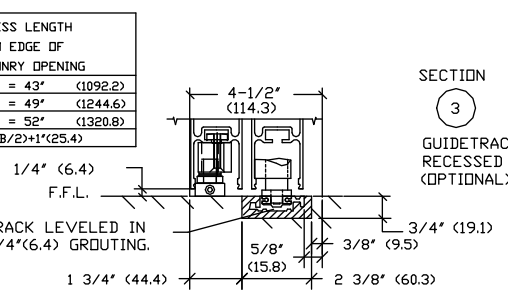
ASSA ABLOY

ASSA ABLOY Entrance Systems
1900 Airport Road
Monroe, NC 28110
Phone: 1-866-237-2687
specdesk.no.besam@assaabloy.com

BESAM SL500
OVERHEAD CONCEALED FULL BREAKOUT
MEDIUM STILE SINGLE SLIDE DOOR SYSTEM



RECESS LENGTH FROM EDGE OF MASONRY OPENING	
DC5-7	= 43" (1092.2)
DC5-8	= 49" (1244.6)
DC5-8-6	= 52" (1320.8)
KEY	(B/2)+1"(25.4)



NOTE: THE STANDARD PACKAGE CONSISTS OF: THE AUTOMATIC OPERATOR & WEATHERSTRIP. FRAMES, DOORS & SIDELITES WITH VERTICAL WEATHERSTRIP, EMERGENCY BREAKAWAY & 2-POINT LOCK. OPTIONAL POSITION SWITCHES (DIGITAL (3 OR 5) OR KEY (S)), (OFF-EXIT ONLY-AUTO-REDUCED OPENING-HOLD OPEN OR DFF, AUTO, HOLD OPEN), MOTION/PRESENCE SENSORS, OPTIONAL 6" JAMBS. STANDARD FINISH: CLEAR- AA-M12C22A41, CLASS 1, .018 MM. DARK BRONZE- AA-M12C22A44, CLASS 1, .018MM. SPECIAL FINISHES ARE AVAILABLE.

THIS PACKAGE WILL ACCEPT UP TO 1"(25.4) INSULATED GLASS IN THE SIDELITES AND ACTIVE LEAVES. PLEASE INDICATE IF SD DESIRED.

ENHANCE YOUR BESAM SL500 PACKAGE WITH ECODOOR OPTIONS TO IMPROVE AIR INFILTRATION PERFORMANCE. CHOOSE FROM: ECODOOR SEALS, MAGNETIC CATCHES, HYDRAULIC CLOSERS, INSULATED GLASS.

NOTE DRAWING IS DIMENSIONED IN BOTH ENGLISH AND METRIC REF. AS FOLLOWS 1" (25.4) ALL METRIC SIZES ARE MILLIMETERS.

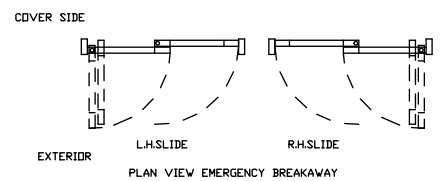
FOR MAXIMUM CURRENT DRAW PER OPERATOR, SEE PRODUCT SPECIFICATION, INSTALLATION INSTRUCTIONS, OR THE UL LABEL ON THE EQUIPMENT.

REFER TO RELEVANT (LOCAL, STATE, NATIONAL OR AHJ) BUILDING CODE FOR MIN DOOR HEIGHT & MIN/MAX WIDTH ALLOWABLE FOR EGRESS REQUIREMENT IN CONJUNCTION WITH TABLE BELOW.

SL500 OHC	DOOR OPENING A	OVERALL FRAME WIDTH B	MASONRY OPENING WIDTH C	ACTIVE & SIDELITE LEAF WIDTH D
DC5-7	32 1/2" (825.5)	84" (2133.6)	84 1/2" (2146.3)	42 3/8" (1076.3)
DC5-8	38 1/2" (977.9)	96" (2438.4)	96 1/2" (2451.1)	48 3/8" (1228.7)
DC5-8-6	41 1/2" (1054.1)	102" (2590.8)	102 1/2" (2603.5)	51 3/8" (1304.9)
KEY	(B/2)+9 1/2" (B/2)+(241.3)	(C-1/2") (C-12.7)	(B/2)+9 1/2" (B/2)+(241.3)	(B/2)+(9.5)

STANDARD GLASS SIZES ARE AS FOLLOWS:

SL500 OHC		1/4"(6.4)	5/8"(15.9) AND 1"(25.4)
DC5-7	W	33 7/8"(860.4)	33 5/8"(854.1)
	H	71 11/16"(1820.9)	71 3/16"(1808.2)
DC5-8	W	39 7/8"(1012.8)	39 5/8"(1006.5)
	H	71 11/16"(1820.9)	71 3/16"(1808.2)
DC5-8-6	W	42 7/8"(1089.5)	42 5/8"(1082.6)
	H	71 11/16"(1820.9)	71 3/16"(1808.2)
KEY	WIDTH	(B/2)-8 1/8" (B/2)-(206.4)	(B/2)-8 3/8" (B/2)-(212.7)
	HEIGHT	(DFH)-18 1/16" (DFH)-(458.8)	(DFH)-18 9/16" (DFH)-(471.5)



DWG NO: 1009866

DRN BY	CLW	DATE	11/9/12	CHK BY	SS	DATE	11/14/12	REV	5.0	DATE	1/21/15

ASSA ABLOY