

ASSA ABLOY

ASSA ABLOY Entrance Systems
1900 Airport Road
Monroe, NC 28110
Phone: 1-866-237-2687
specdesk.na.besam@assaabloy.com

BESAM SL500 SA-PP

SURFACE APPLIED, P-PANEL
NARROW STILE SINGLE SLIDE DOOR SYSTEM

NOTE: THE STANDARD PACKAGE CONSISTS OF:
THE AUTOMATIC OPERATOR & WEATHERSTRIP, FRAMES, DOORS WITH
VERTICAL WEATHERSTRIP, EMERGENCY BREAKAWAY
& 1-POINT LOCK, OPTIONAL POSITION SWITCHES (DIGITAL (3 DR 5) OR
KEY (5)), (OFF-EXIT ONLY-AUTO-REDUCED OPENING-HOLD OPEN DR OFF,
AUTO. HOLD OPEN), MOTION/PRESENCE SENSORS.
STANDARD FINISH: CLEAR- AA-M12C22A41, CLASS 1, .018 MM.
DARK BRONZE- AA-M12C22A44, CLASS 1, .018 MM
SPECIAL FINISHES ARE AVAILABLE.

THIS PACKAGE WILL ACCEPT UP TO 1" (25.4) INSULATED GLASS.

NOTE: DRAWING IS DIMENSIONED IN BOTH ENGLISH AND METRIC.
REF. AS FOLLOWS 1" (25.4) ALL METRIC SIZES ARE MILLIMETERS.

* FOR MAXIMUM CURRENT DRAW PER OPERATOR, SEE PRODUCT
SPECIFICATION, INSTALLATION INSTRUCTIONS, OR THE UL
LABEL ON THE EQUIPMENT.

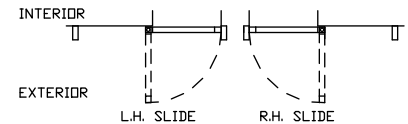
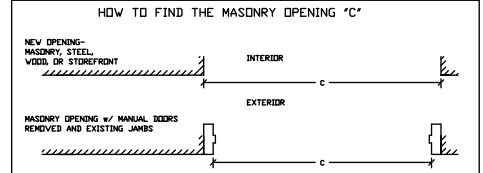
REFER TO RELEVANT (LOCAL, STATE, NATIONAL OR AHJ) BUILDING CODE FOR
MIN DOOR HEIGHT & MIN/MAX WIDTH ALLOWABLE
FOR EGRESS REQUIREMENT IN CONJUNCTION WITH TABLE BELOW.

MASONRY OPENING WIDTH C	ACTIVE LEAF WIDTH D	DOOR OPENING A	OVERALL FRAME HEIGHT	ROUGH OPENING HEIGHT	OVERALL FRAME WIDTH B
36" (914.4)	38 5/8" (981.1)	32 3/8" (822.3)	91" (2311.4)	84" (2134)	78 1/4" (1987.6)
42" (1066.8)	44 5/8" (1133.5)	38 3/8" (974.7)	91" (2311.4)	84" (2134)	90 1/4" (2292.4)
48" (1219.2)	50 5/8" (1285.9)	44 3/8" (1127.1)	91" (2311.4)	84" (2134)	102 1/4" (2597.2)
50 7/8" (1292.2)	53 1/2" (1358.9)	47 1/4" (1200.2)	91" (2311.4)	84" (2134)	108" (2743.2)
KEY	C+2 5/8" C+(66.7)	C-3 5/8" C-(92.1)	R.O.H.+7" R.O.H+(177.8)	DFH+7" DFH+(177.8)	2C+6 1/4" 2C+(158.8)

DFW NOTE: CONSULT FACTORY FOR EXTENDED HEADERS.

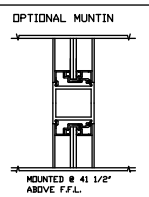
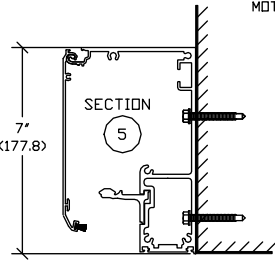
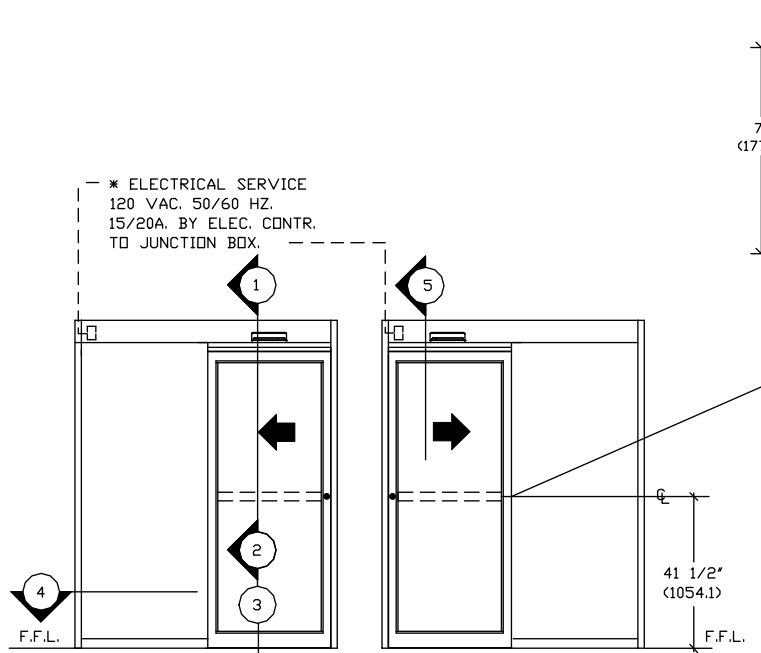
STD. GLASS SIZE KEY*	WIDTH	C-2 1/4" C-(57.2)
	HEIGHT	(DFH)-15 7/8" (DFH)-(403.2)

* NARROW STILE RAILS w/ 1/4" GUTTER, NO MUTTINS BASED ON MASONRY OPENING

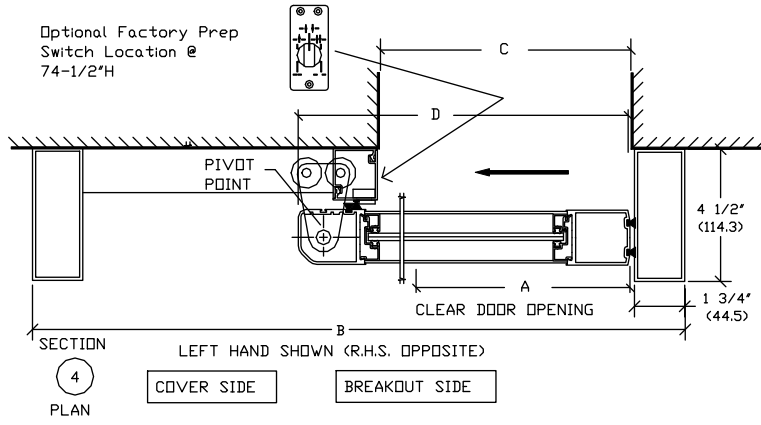
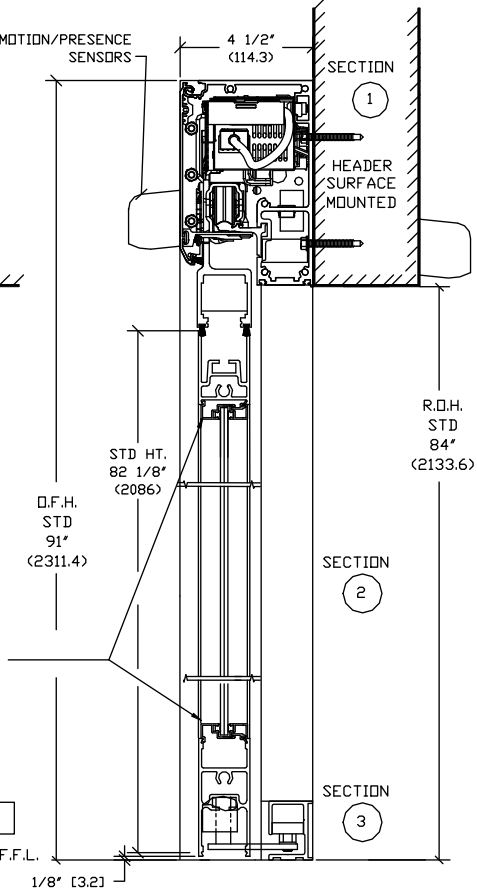


PLAN VIEW EMERGENCY BREAKAWAY

DWG NO:	1011270
DRN BY:	CLW
DATE:	8/26/13
CHK BY:	SS
DATE:	8/26/13
REV:	3.0
DATE:	5/28/14
ASSA ABLOY	



NON REMOVABLE
SECURITY TYPE
GLAZING BEAD
SYSTEM (TYP.)
1/4" STANDARD.



SECTION 4
LEFT HAND SHOWN (R.H.S. OPPOSITE)
COVER SIDE
BREAKOUT SIDE