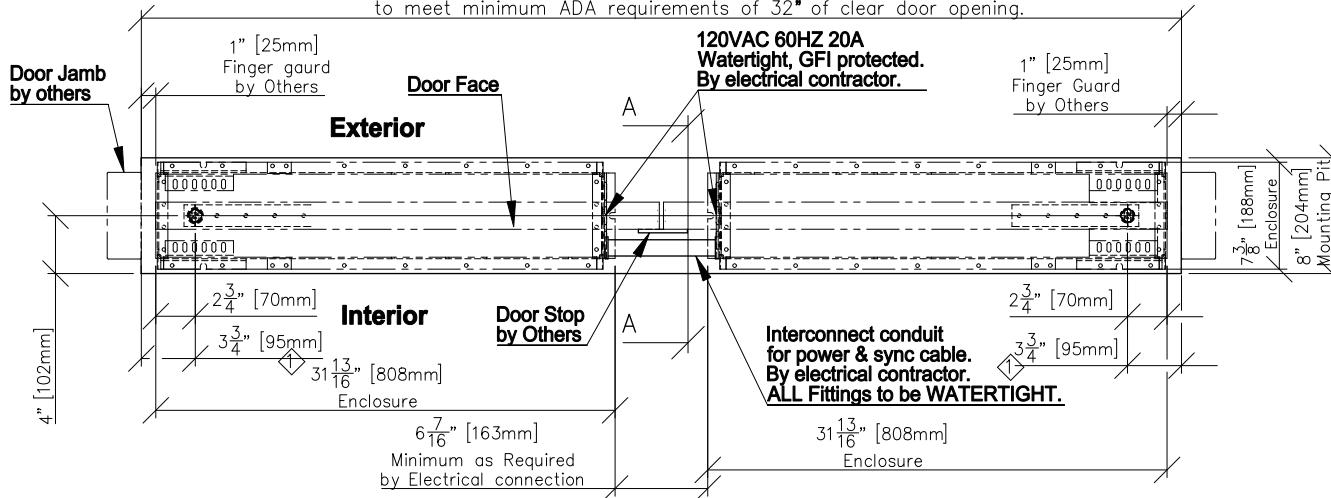


ASSA ABLOY

ASSA ABLOY Entrance Systems
1900 Airport Road
Monroe, NC 28110
Phone: 1-866-237-2687
specdesk.na.besam@assaabloy.com

BESAM SW200i -IG In Ground SW200i-IG Operator Center Pivot, Double Door

Door width and pivot location must be configured to meet minimum ADA requirements of 32" of clear door opening.



NOTE:

- The SW200i-IG In Ground Operator is designed for pedestrian and ADA applications that require manual push forces to comply with ANSI 156.19 and fire door regulations.
Maximum door weight 700lb [340 kg]
Bottom Arm compatibility:
See FTS 13-001 for complete list of compatible bottom arms
- SW200i-IG In Ground Operator requires purchase of SW200i Operator, a SW200i-IG installation kit and an Output Shaft Adaptor. Doors, Door Arms and threshold by others. Besam Center Pivot included if selected.
- SW200i Power/Reset switch is mounted within the In Ground enclosure. Alternative optional Switch mounting for 3 position on/off/hold, or 4 position off/two way/one-way/hold will be required on the door frame or optional remote box.
- Specify and order the required SW200i compatible Output Shaft Adaptor per Table 1 below and Besam SW200i-IG Installation Manual 1009955. Door bottom arm mortise depth may vary, reference Output adaptor description in Besam SW200i-IG Installation Manual 1009955.
- The SW200i-IG enclosure is splash proof when correctly assembled. It is essential the pit is drained or provided with a sump pump to prevent water accumulation in the pit.
- Finish of IG Enclosure is Black Powder Coat suitable for masonry exposure. All exterior hardware is Stainless Steel.
- Optional Sensor Kits are available.

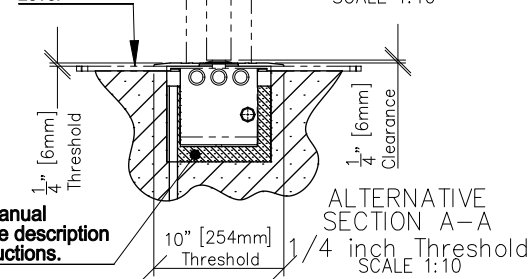
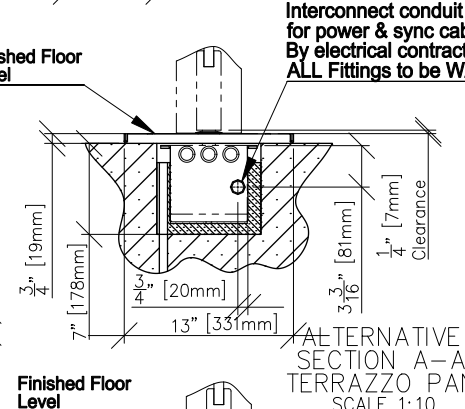
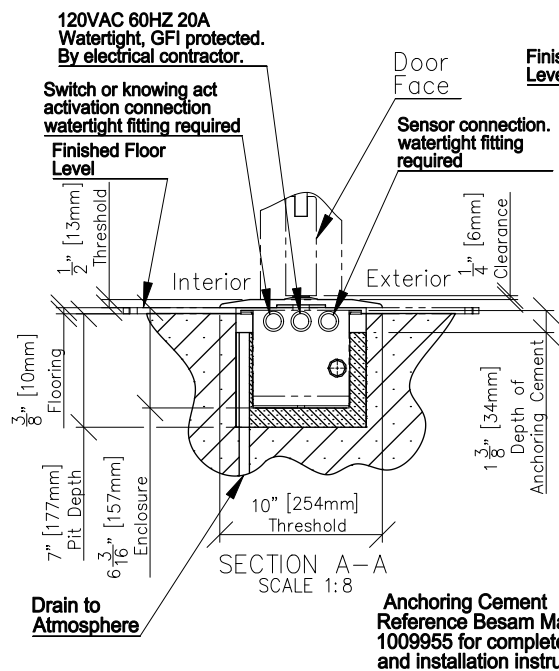


Table 1 Center Pivot compatible arms and adaptors					
7/8" Diameter Triangular Output Adaptor	Besam Center Pivot Arm Rear load----700lb [318 kg] Besam 1009408	11/16" Square Shaft Output Adaptor	Rixson H28/H40 Center Pivot rear & side load----700lb [318 kg] By others	7/8" Diameter Tapered Output Adaptor	Dorma BTS-80 Center Pivot bottom load----200lb [90 kg] By others
Select for		Select for		Select for	
1/4" [6.4mm] thick threshold	Besam # 1010059	1/4" [6.4mm] thick threshold	Besam #1010696	1/4" [6.4mm] thick threshold	Besam #1010337
1/2" [12.7mm] thick threshold	Besam #1010059	1/2" [12.7mm] thick threshold	Besam #1010696	1/2" [12.7mm] thick threshold	Besam #1010337
3/4" [19.1mm] Terrazzo pan	Besam # 1009473	3/4" [19.1mm] Terrazzo pan	Besam #1010696	3/4" [19.1mm] Terrazzo pan	Besam #1010337

DWG. NO. 1009543
DRN BY mdv DATE 03/14/13 CHK BY DATE xx/xx/xx REV 2.0 DATE 05/29/14

ASSA ABLOY

SHEET 1 OF 1