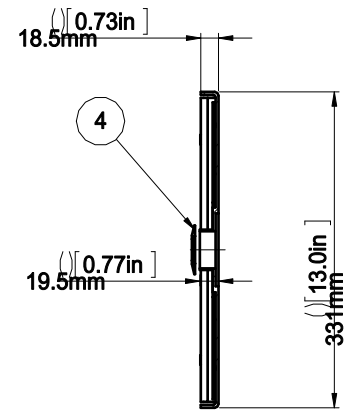
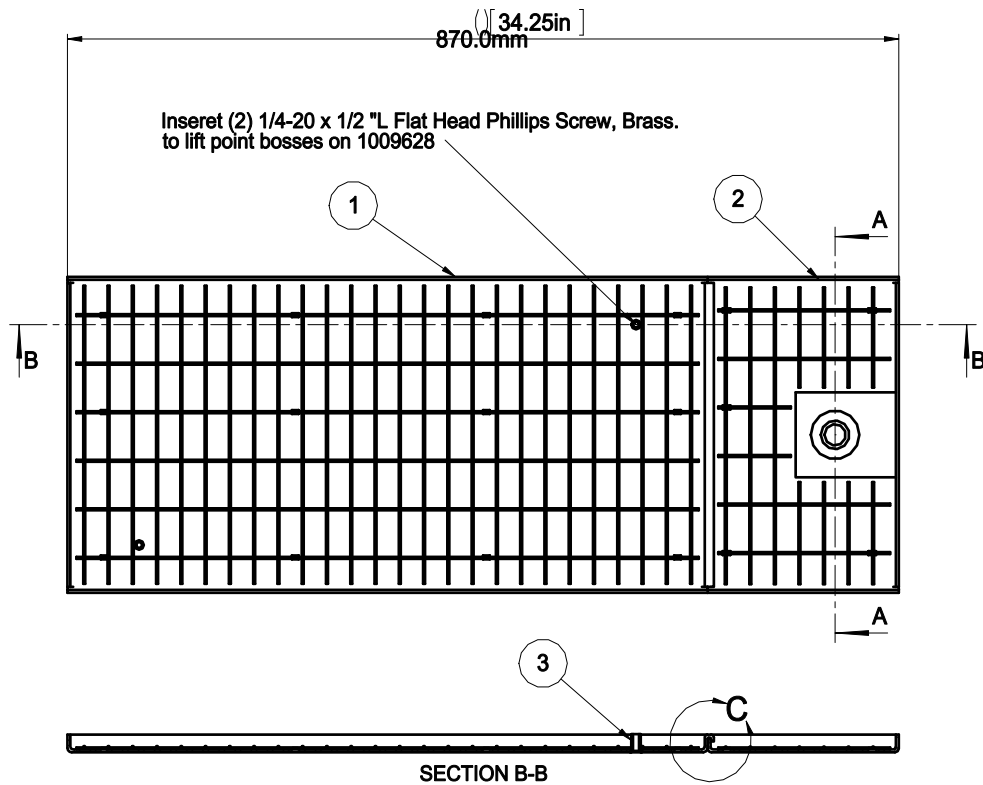


© All rights in and to this material are the sole property of ASSA ABLOY Entrance Systems AB. Copying, scanning, alterations or modifications are expressly forbidden without the prior written consent of ASSA ABLOY Entrance Systems AB.

No.	Change	CM-No.	Done	Date
0.4	New article	12-378	BNCMVE	



SECTION A-A

NOTE:
1: PROVIDED AS KIT WITH INDICATED HARDWARE & LOOSE ITEM 4
2: SEE DETAIL PRINTS FOR MATERIAL REQUIREMENT

4	1	pcs.	Escutcheon, Safety SW200i	1010096	SHIPPED LOOSE WITH KIT			
3	2			-	PEM Blind Insert # CSOS-0420-12 or Equivalent			
2	1	pcs.	Terrazzo Pan, Output End SW200i	1009662				
1	1	pcs.	Terrazzo Pan, Large SW200i	1009628				
Pos.	Qty.	Unit	Description	Art.no.	Remark			
Surface treatment				Material		Remark		
				Assembly				
General tolerance		Proj. method	Scale	Drawn	Date	Status		
ISO 2768			1:5	BNCMVE		Draft		
- C		Description				Rev.	Size	Sheet
ASSA ABLOY		Terrazzo Pan Assembly				0.4	A3	1 (1)
ASSA ABLOY Entrance Systems AB		SW200i				Drawing No.		
		IG				1009730		