

## BESAM SW200i -IG In Ground SW200i-IG Operator Offset Pivot, Double Door

**NOTE:**

- The SW200i-IG In Ground Operator is designed for pedestrian and ADA applications that require manual push forces to comply with ANSI 156.19 and fire door regulations.  
Maximum door weight 700lb [340 kg]  
Bottom Arm compatibility:  
See FTS 13-001 for complete list of compatible bottom arms
- SW200i-IG In Ground Operator requires purchase of SW200i Operator, a SW200i-IG Installation kit and an Output Shaft Adaptor. Doors, Door Arms and threshold by others.
- SW200i Power/Reset switch is mounted within the In Ground enclosure. Alternative optional Switch mounting for 3 position on/off/hold, or 4 position off/two way/one-way/hold will be required on the door frame or optional remote box.
- Specify and order the required SW200i compatible Output Shaft Adaptor per Table 1 below and Besam SW200i-IG Installation Manual 1009955.  
Door bottom arm mortise depth may vary, reference Output adaptor description in Besam SW200i-IG Installation Manual 1009955.
- The SW200i-IG enclosure is splash proof when correctly assembled. It is essential the pit is drained or provided with a sump pump to prevent water accumulation in the pit.
- Finish of IG Enclosure is Black Powder Coat suitable for masonry exposure. All exterior hardware is Stainless Steel.
- Optional Sensor Kits are available.

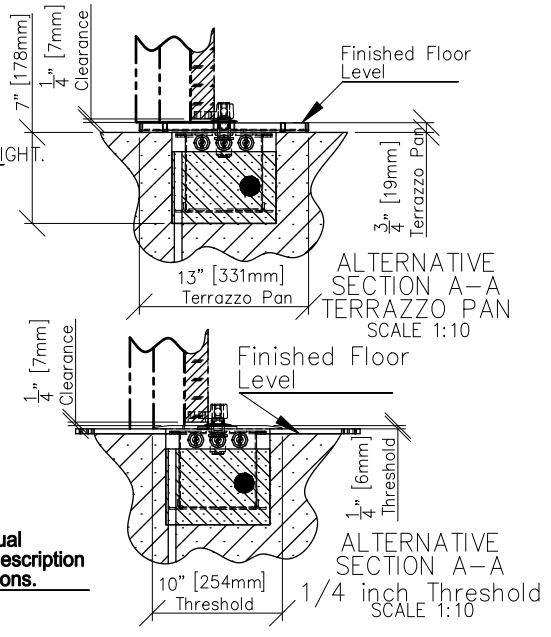
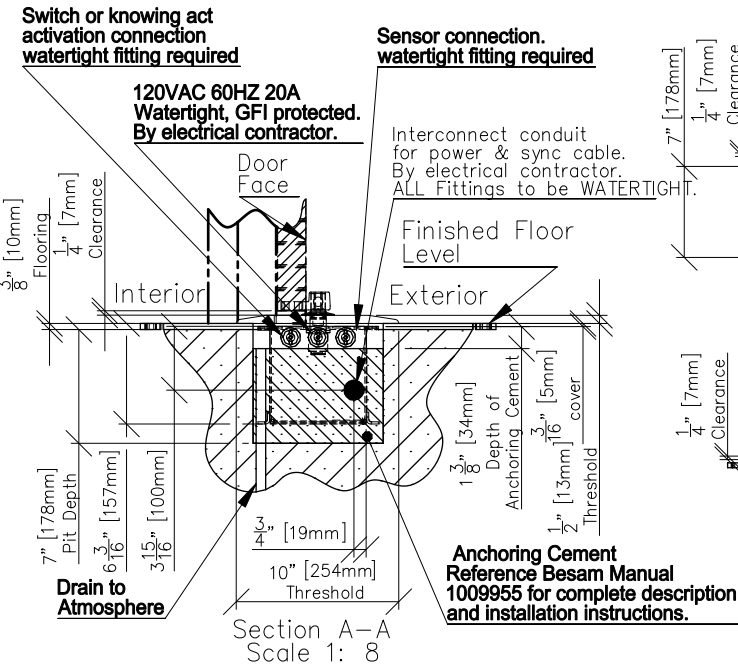
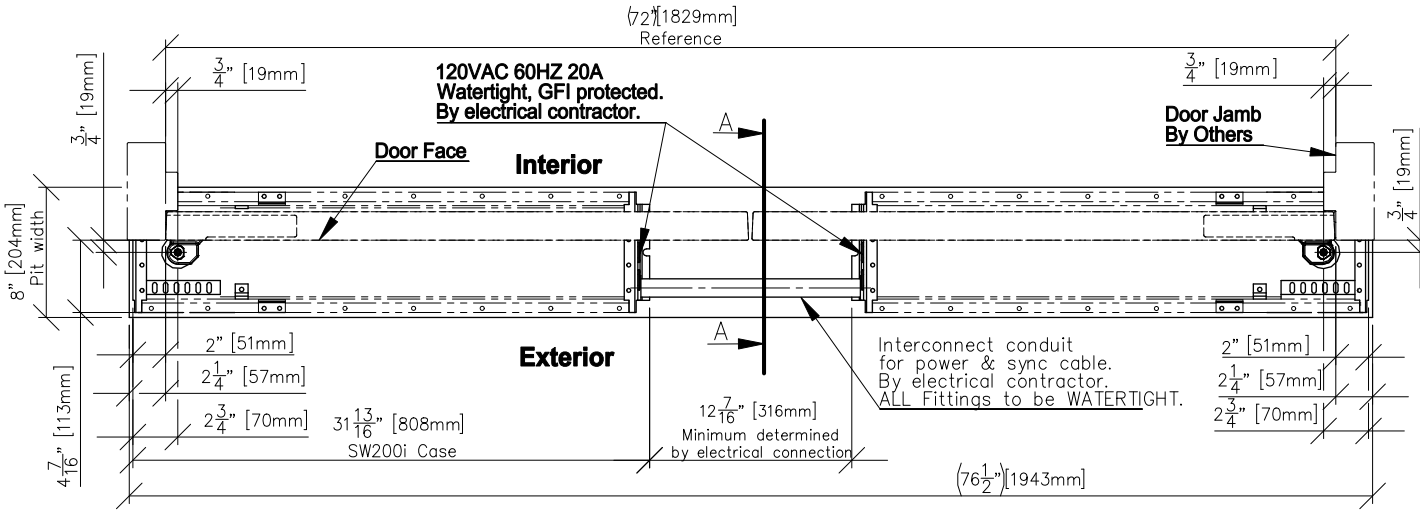


Table 1 3/4" Offset Pivot compatible arms and adaptors	
7/8" Diameter Triangular Output Adaptor	Rixson Offset Pivot Arm Top load -----700lb [318 kg] Rixson L27 compatible: various door thicknesses. By others
Select for	
1/4" [6.4mm] thick threshold	Besam # 1010059
1/2" [12.7mm] thick threshold	Besam # 1010059
3/4" [19.1mm] Terrazzo pan	Besam # 1010815

DWG. NO. 1010932  
DRN BY mdv DATE 03/14/13 CHK BY DATE xx/xx/xx REV 1.0 DATE 5/30/14