

ASSA ABLOY

ASSA ABLOY Entrance Systems
1900 Airport Road
Monroe, NC 28110
Phone: 1-866-237-2687
specdesk.na.besam@assaabloy.com

BESAM SW200i -IG In Ground SW200i-IG Operator Independently Hung, Single Door

NOTE:

1. The SW200i-IG In Ground Operator is designed for pedestrian and ADA applications that require manual push forces to comply with ANSI 156.19 and fire door regulations.

Maximum door weight 700lb [340 kg]

Bottom Arm compatibility:

See FTS 13-001 for complete list of compatible bottom arms

2. SW200i-IG In Ground Operator requires purchase of SW200i Operator, a SW200i-IG installation kit and an Output Shaft Adaptor. Doors, Door Arms and threshold by others. Besam Center Pivot included if selected.

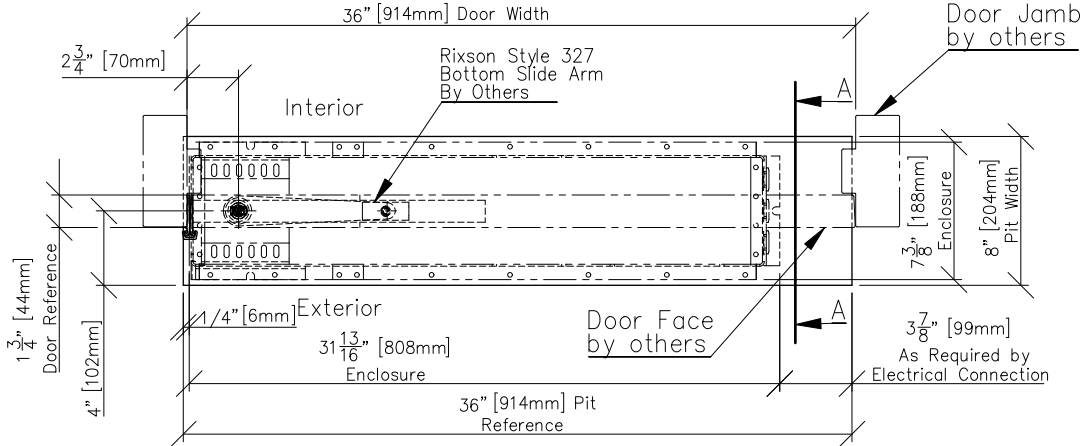
3. SW200i Power/Reset switch is mounted within the In Ground enclosure. Alternative optional Switch mounting for 3 position on/off/hold, or 4 position off/two way/one-way/hold will be required on the door frame or optional remote box.

4. Specify and order the required SW200i compatible Output Shaft Adaptor per Table 1 below and Besam SW200i-IG Installation Manual 1009955. Door bottom arm mortise depth may vary, reference Output adaptor description in Besam SW200i-IG Installation Manual 1009955.

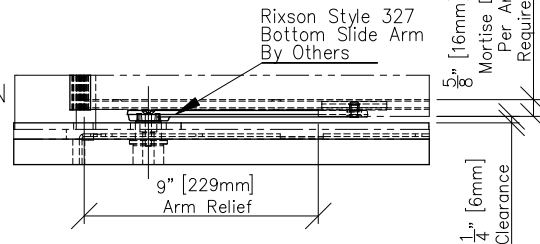
5. The SW200i-IG enclosure is splash proof when correctly assembled. It is essential the pit is drained or provided with a sump pump to prevent water accumulation in the pit.

6. Finish of IG Enclosure is Black Powder Coat suitable for masonry exposure. All exterior hardware is Stainless Steel.

7. Optional Sensor Kits are available.



PARTIAL SECTION
B-B
SCALE 1:5

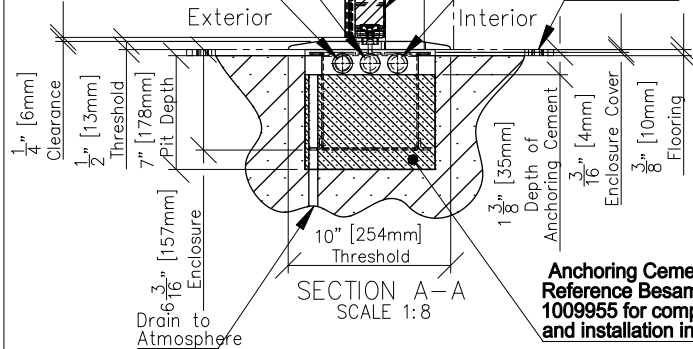


120VAC 60HZ 20A
Watertight, GFI protected.
By electrical contractor.

Switch or knowing act
activation connection
watertight fitting required

Sensor connection.
watertight fitting
required

Finished Floor
Level



Anchoing Cement
Reference Besam Manual
1009955 for complete description
and installation instructions.

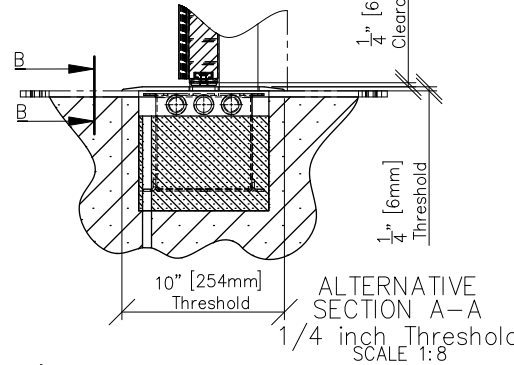
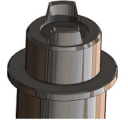



Table 1 Independently Hung Output Adaptors

	
7/8" Diameter Short Taper Output Adaptor	Rixson 327 Sliding Bottom Arm 700lb [318 kg] Rixson # 32555000-X Arm
Select for	
1/4" [6.4mm] thick threshold	Besam # 1010055
1/2" [12.7mm] thick threshold	Besam #1010055
3/4" [19.1mm] Terrazzo pan	N/A

DWG. NO. 1010942

DRN BY mdv DATE 03/14/13 CHK BY DATE xx/xx/xx REV 1.0 DATE 5/30/14

ASSA ABLOY