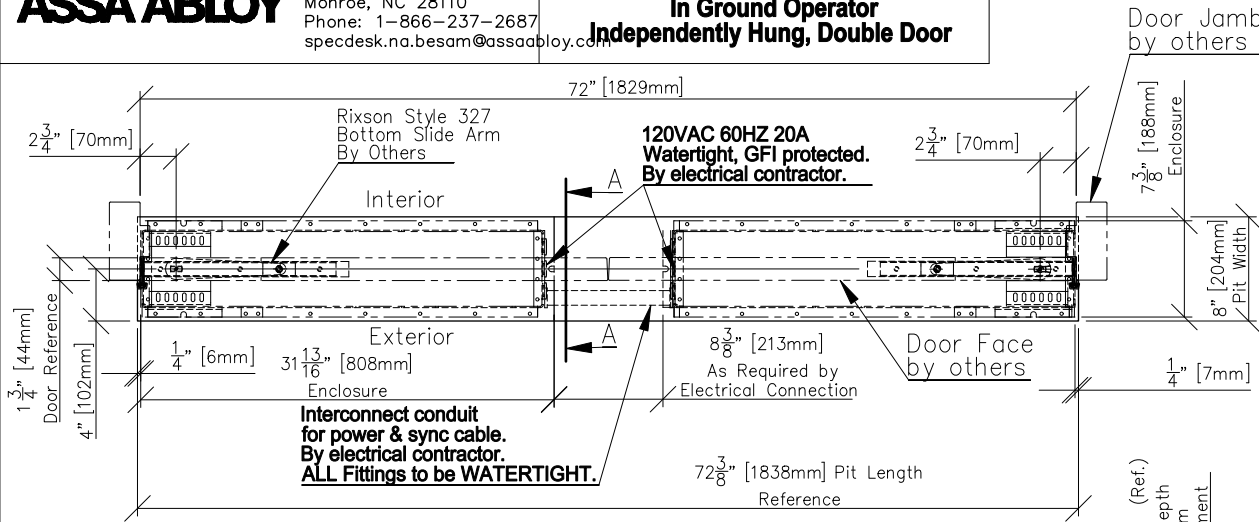


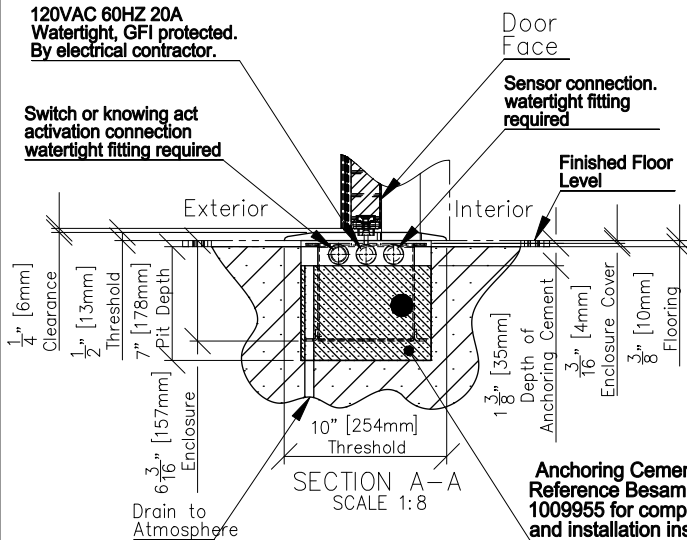
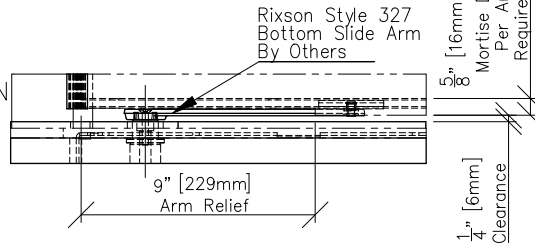
ASSA ABLOY

ASSA ABLOY Entrance Systems
1900 Airport Road
Monroe, NC 28110
Phone: 1-866-237-2687
specdesk.na.besam@assaabloy.com

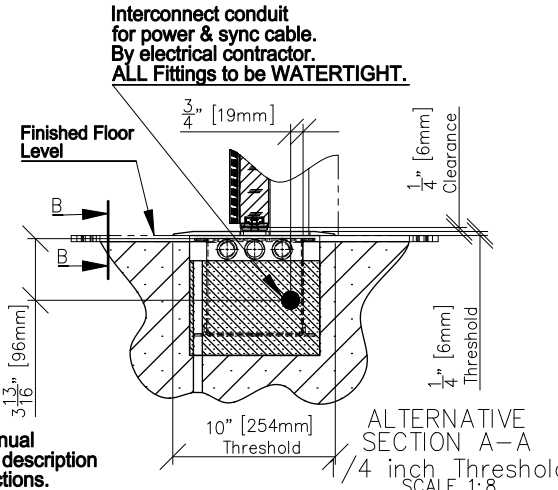
BESAM SW200i -IG In Ground Operator Independently Hung, Double Door



PARTIAL SECTION
B-B
SCALE 1:5



Anchoring Cement
Reference Besam Manual
1009955 for complete description
and installation instructions.



ALTERNATIVE
SECTION A-A
1/4 inch Threshold
SCALE 1:8

NOTE:

- The SW200i-IG In Ground Operator is designed for pedestrian and ADA applications that require manual push forces to comply with ANSI 156.19 and fire door regulations.
Maximum door weight 700lb [340 kg]
Bottom Arm compatibility:
See FTS 13-001 for complete list of compatible bottom arms
- SW200i-IG In Ground Operator requires purchase of SW200i Operator, a SW200i-IG installation kit and an Output Shaft Adaptor. Doors, Door Arms and threshold by others. Besam Center Pivot included if selected.
- SW200i Power/Reset switch is mounted within the In Ground enclosure. Alternative optional Switch mounting for 3 position on/off/hold, or 4 position off/two way/one-way/hold will be required on the door frame or optional remote box.
- Specify and order the required SW200i compatible Output Shaft Adaptor per Table 1 below and Besam SW200i-IG Installation Manual 1009955. Door bottom arm mortise depth may vary, reference Output adaptor description in Besam SW200i-IG Installation Manual 1009955.
- The SW200i-IG enclosure is splash proof when correctly assembled. It is essential the pit is drained or provided with a sump pump to prevent water accumulation in the pit.
- Finish of IG Enclosure is Black Powder Coat suitable for masonry exposure. All exterior hardware is Stainless Steel.
- Optional Sensor Kits are available.

Table 1 Independently Hung Output Adaptors

7/8" Diameter Short Taper Output Adaptor	Rixson 327 Sliding Bottom Arm 700lb [318 kg] Rixson # 32555000-X Arm
Select for	
1/4" [6.4mm] thick threshold	Besam # 1010055
1/2" [12.7mm] thick threshold	Besam # 1010055
3/4" [19.1mm] Terrazzo pan	N/A

DWG. NO. 1010943

DRN BY mdv DATE 03/14/13 CHK BY DATE xx/xx/xx REV 1.0 DATE 5/30/14

ASSA ABLOY