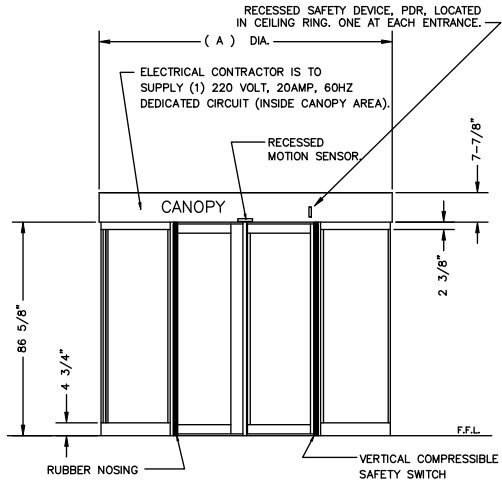


ASSA ABLOY

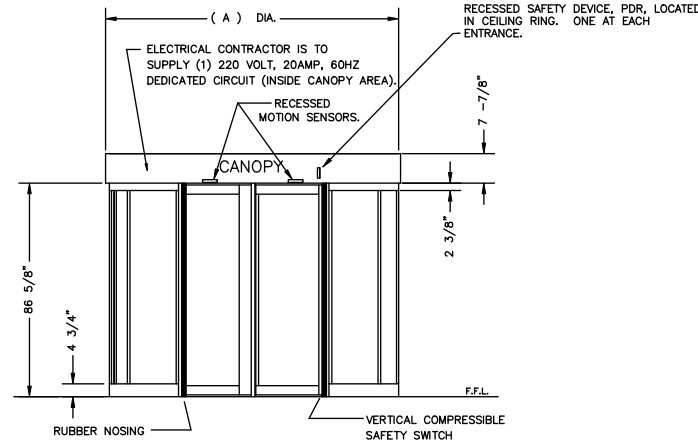
ASSA ABLOY Entrance Systems
1900 Airport Road
Monroe, NC 28110
Phone: 1-866-237-2687
specdesk.na.besam@assaabloy.com

BESAM RD3
REVOLVING DOOR SYSTEM
PLAN VIEW

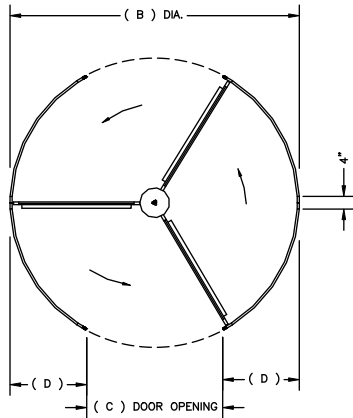
MODEL #	CANOPY DIAMETER (A)	SIDELITE DIAMETER (B)	DOOR OPENING (C)	(D)	(E)	(F)	(G)	(H)	(I)	(J)	(K)	(L)
RD3-8'	97 15/16"	97 5/8"	43 1/16"	27 5/16"								
RD3-9'	109 3/4"	109 7/16"	48 15/16"	30 13/32"			46 5/32"	47 11/32"			25 3/8"	27 3/8"
RD3-10'	121 7/16"	121 1/4"	54 27/32"	33 3/8"			51 5/16"	52 15/32"			28 11/32"	30 5/16"
RD3-12'	145 3/16"	144 7/8"	66 21/32"	39 1/4"	34 7/16"	37 7/8"	61 9/16"	62 11/16"	8 23/32"	10 23/32"	34 3/16"	36 7/32"



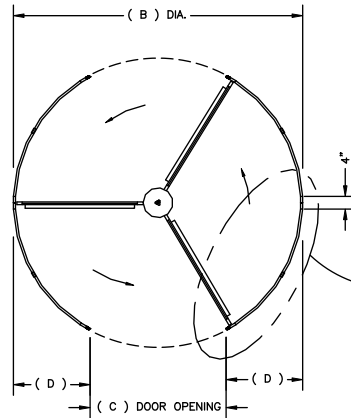
EXTERIOR ELEVATION
3-WING AUTOMATIC REVOLVING
DOOR UNIT - (RD3-8', 9' AND 10')



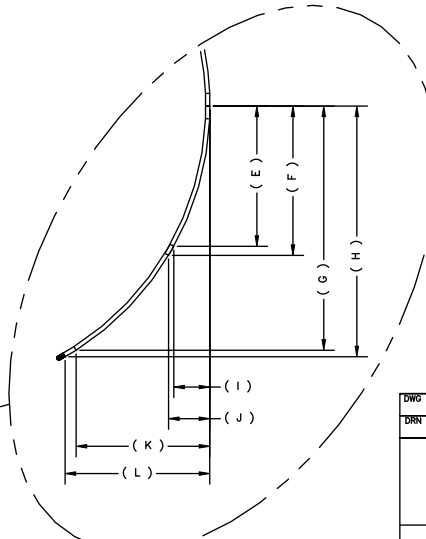
EXTERIOR ELEVATION
3-WING AUTOMATIC REVOLVING
DOOR UNIT - (RD3-12')



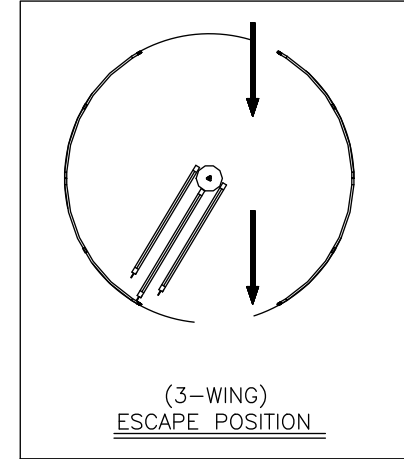
PLAN VIEW



PLAN VIEW



ENLARGED VIEW



DWG NO. RD3	SHEET 1 OF 2
DRN BY R.O.W. DATE 12/29/05	CHK BY DATE REV. C DATE 5/30/14

BESAM RD3
REVOLVING DOOR SYSTEM
PLAN VIEW

ASSA ABLOY

ASSA ABLOY Entrance Systems
1900 Airport Road
Monroe, NC 28110
Phone: 1-866-237-2687
specdesk.na.besam@assaabloy.com