

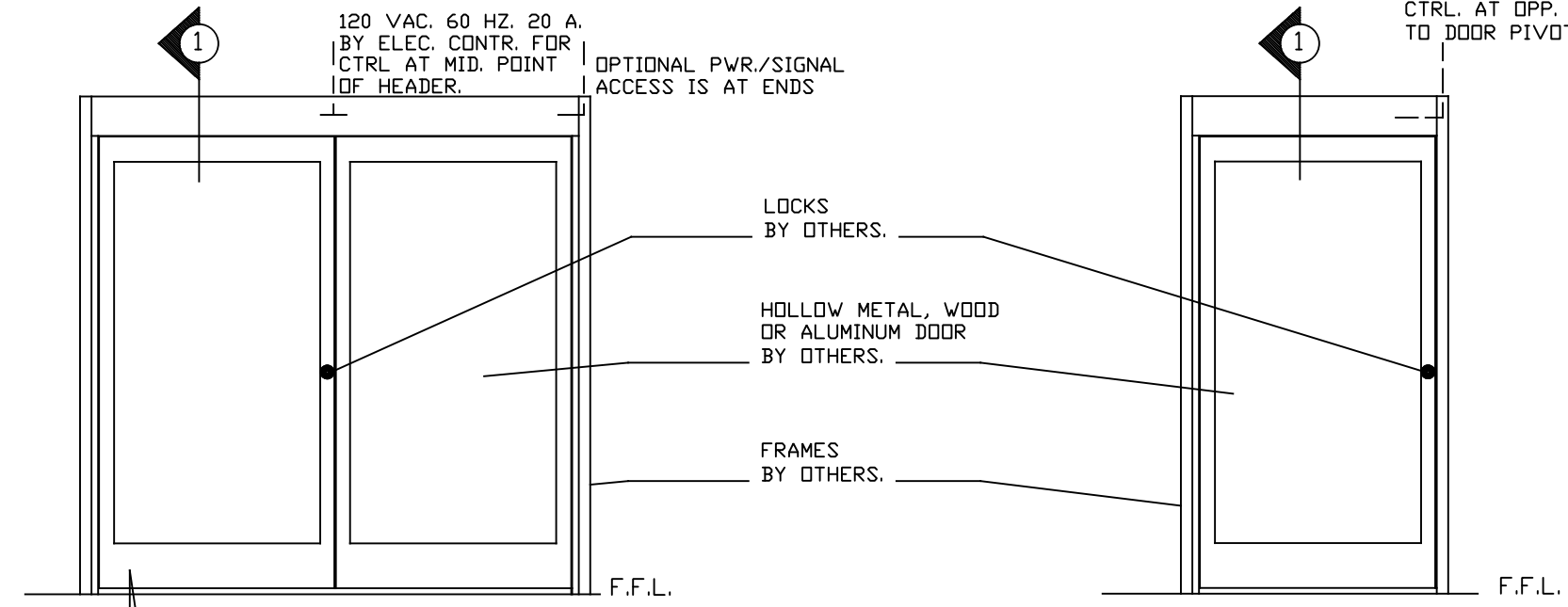
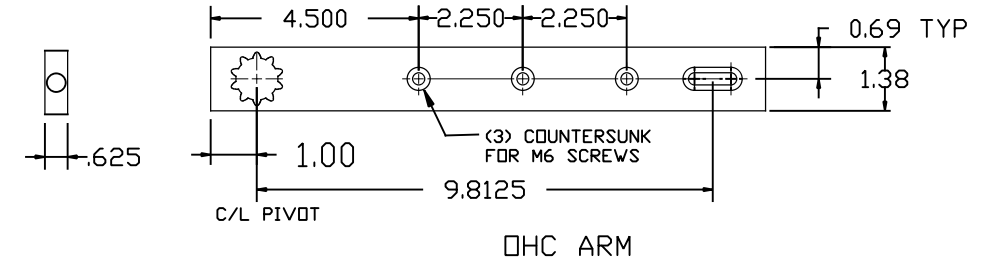
BESAM SW200i-OHC WITH DOORS BY OTHERS
DUAL (OHC) OVERHEAD SIDE ACCESS
SWING DOOR OPERATOR(S)

NOTE:

SW200i IS DESIGNED FOR HIGH PERFORMANCE, HEAVY USAGE PEDESTRIAN APPLICATIONS THAT COMPLY WITH ANSI A156.10. THE OPERATOR CAN ALSO BE ADJUSTED FOR LOWER MANUAL PUSH FORCES TO COMPLY WITH ANSI 156.19 AND FIRE DOOR REGULATIONS.

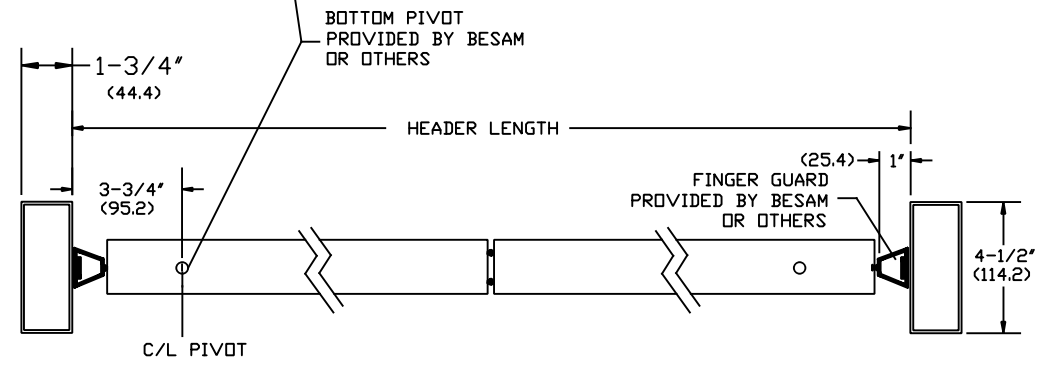
STANDARD FINISH:
CLEAR - AA-M12C22A41, CLASS 1, .018 MM
DARK BRONZE - AA-M12C22A44, CLASS 1, .018 MM
SPECIAL FINISHES ARE AVAILABLE

NOTE: DRAWING IS DIMENSIONED IN BOTH ENGLISH AND METRIC.
REF. AS FOLLOWS: 1" (25.4). ALL METRIC SIZES ARE IN MILLIMETERS.

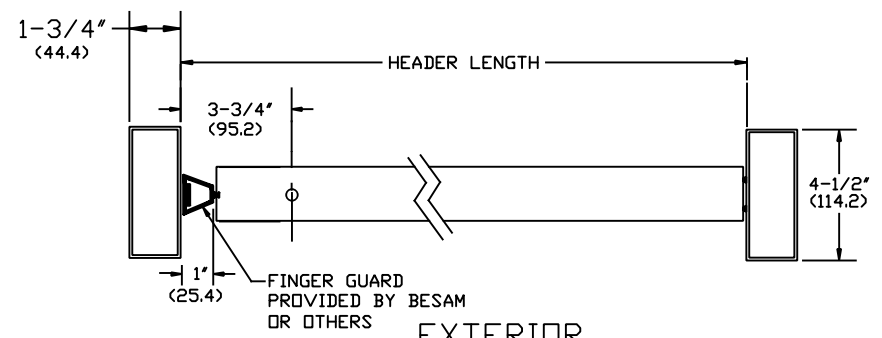


EXTERIOR ELEVATION
SW200i
OHC (DUAL)

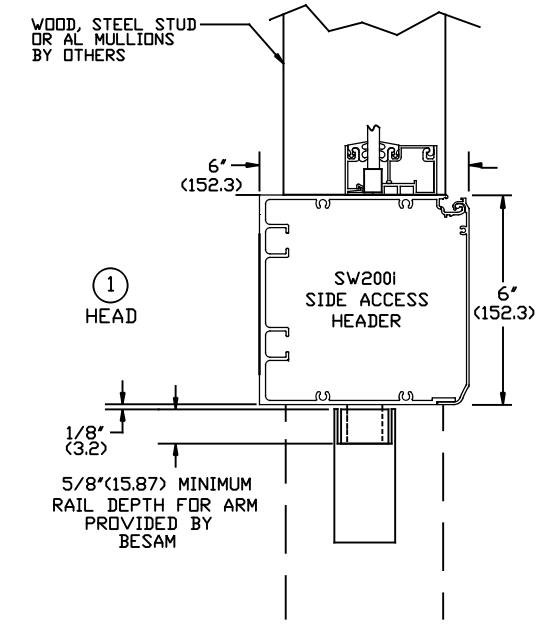
EXTERIOR ELEVATION
(L.H. SHOWN/R.H. OPPOSITE)
SW200i
OHC (SINGLE)



EXTERIOR

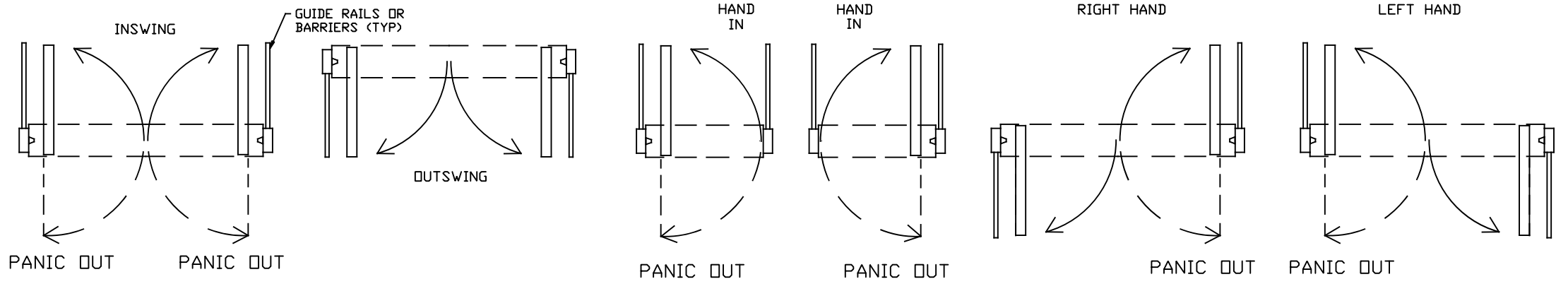


EXTERIOR



SW200i
OHC SERIES

INTERIOR



PANIC OUT
EXTERIOR

NOTE: #
GUIDE RAILS (SHOWN) ARE REQUIRED ON THE SWINGPATH SIDE OF POWER OPERATED PEDESTRIAN DOORS (ANSI 156.10) BUT NOT ON LOW ENERGY POWER OPERATED DOORS (ANSI 156.19).

DWG NO.	1011511
DRN BY	SS
DATE	9/19/13
CHK BY	JAW
DATE	9/19/13
REV	3.0
DATE	1/13/16