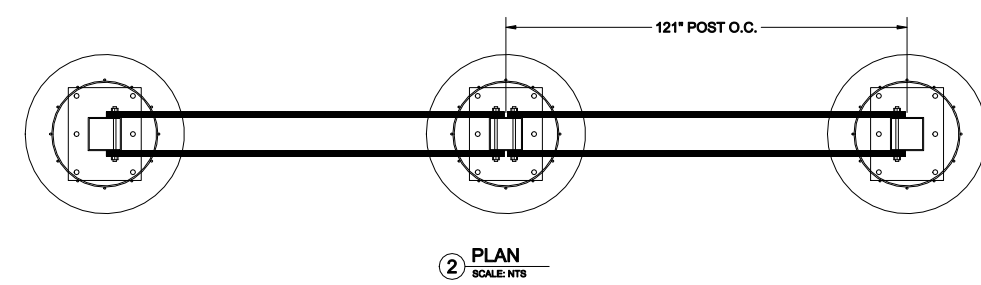
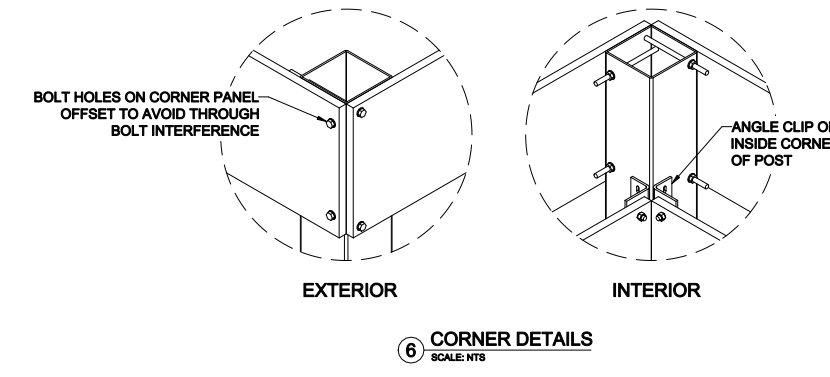


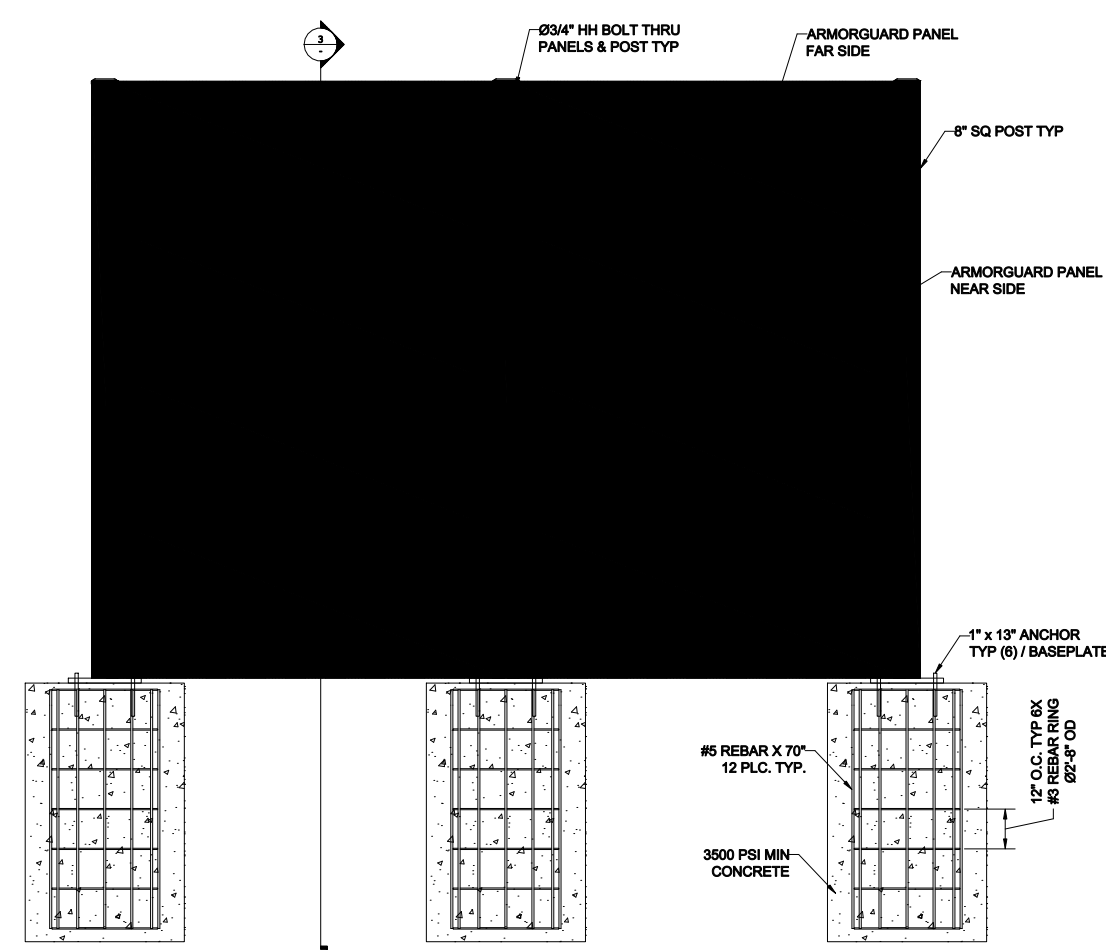
DISCLAIMER: DRAWINGS MAY NOT INCLUDE FULL PRODUCT DETAILS AND CAN CHANGE WITHOUT NOTICE.



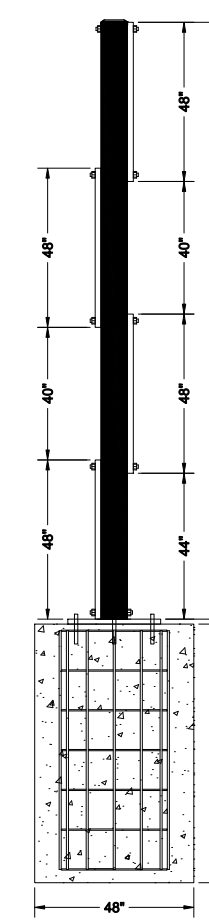
2 PLAN SCALE: 1/8\"/>



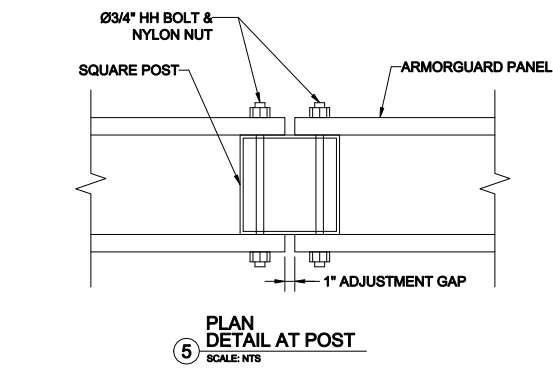
6 CORNER DETAILS SCALE: 1/8\"/>



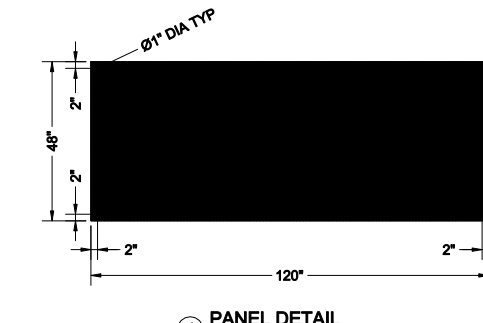
1 ARMOR GUARD TYPICAL ELEVATION SCALE: 1/8\"/>



3 SECTION SCALE: 1/8\"/>



5 PLAN DETAIL AT POST SCALE: 1/8\"/>



4 PANEL DETAIL SCALE: 1/8\"/>

NOTICE: ALL INTELLECTUAL PROPERTY (INCLUDING, WITHOUT LIMITATION, ALL COPYRIGHT AND DESIGN RIGHTS) AND PROPRIETARY RIGHTS TO ALL INFORMATION AND/OR TECHNICAL DATA CONTAINED ON THIS DRAWING BELONGS TO GUARDIAN USA, LLC. THE DRAWING MUST BE MAINTAINED BY YOU, THE RECIPIENT, IN STRICT CONFIDENCE. THIS DRAWING IS NOT TO BE DISCLOSED OR REPRODUCED, IN WHOLE OR IN PART, DIRECTLY OR INDIRECTLY, IN ANY MANNER WHATSOEVER, WITHOUT THE EXPRESS WRITTEN CONSENT OF GUARDIAN USA, LLC AND IT SHALL BE RETURNED UPON REQUEST.

BETADEFENSE USA	
1100 S. 100th Street, Suite 100 Tulsa, Oklahoma 74133 Phone: (918) 437-1100 Fax: (918) 437-1101 www.betadefenseusa.com	
ARMOR GUARD TYPICAL ELEVATION	AG
PROJECT: TYPICAL	DRAWN BY: []
DESIGNED BY: []	CHECKED BY: []
DATE: []	DATE: []
SCALE: 1/8\"/>	
ISSUE OR POWER RATED:	DATE: []

BETADEFENSE USA
 1100 S. 100th Street, Suite 100
 Tulsa, Oklahoma 74133
 Phone: (918) 437-1100 Fax: (918) 437-1101
 www.betadefenseusa.com

SALES ORDER #	QUOTE #
PRODUCT NAME	CUSTOMER:

VIEW:	SCALE:
DRAWN BY:	CHECKED BY:
APPROVED BY:	DATE:
FILE:	REV:
DATE:	DRAFTER:

SHEET