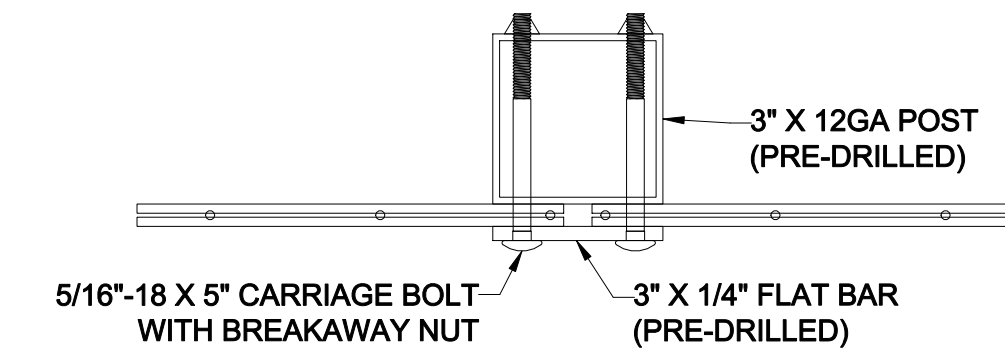
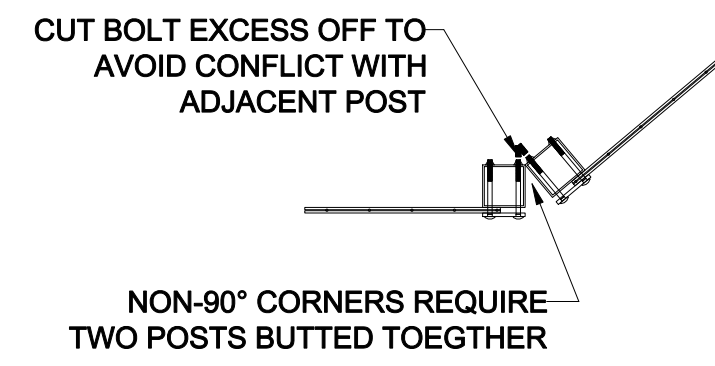


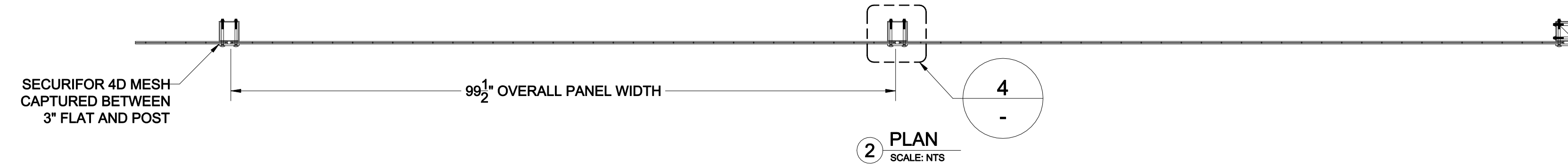
NOTICE: ALL INTELLECTUAL PROPERTY (INCLUDING, WITHOUT LIMITATION, ALL COPYRIGHT AND DESIGN RIGHTS) AND PROPRIETARY RIGHTS TO ALL INFORMATION AND/OR TECHNICAL DATA CONTAINED ON THIS DRAWING BELONGS TO GUARDIAR USA, LLC. THE DRAWING MUST BE MAINTAINED BY YOU, THE RECIPIENT, IN STRICT CONFIDENCE. THIS DRAWING IS NOT TO BE DISCLOSED OR REPRODUCED, IN WHOLE OR IN PART, DIRECTLY OR INDIRECTLY, IN ANY MANNER WHATSOEVER, WITHOUT THE EXPRESS WRITTEN CONSENT OF GUARDIAR USA, LLC AND IT SHALL BE RETURNED UPON REQUEST.



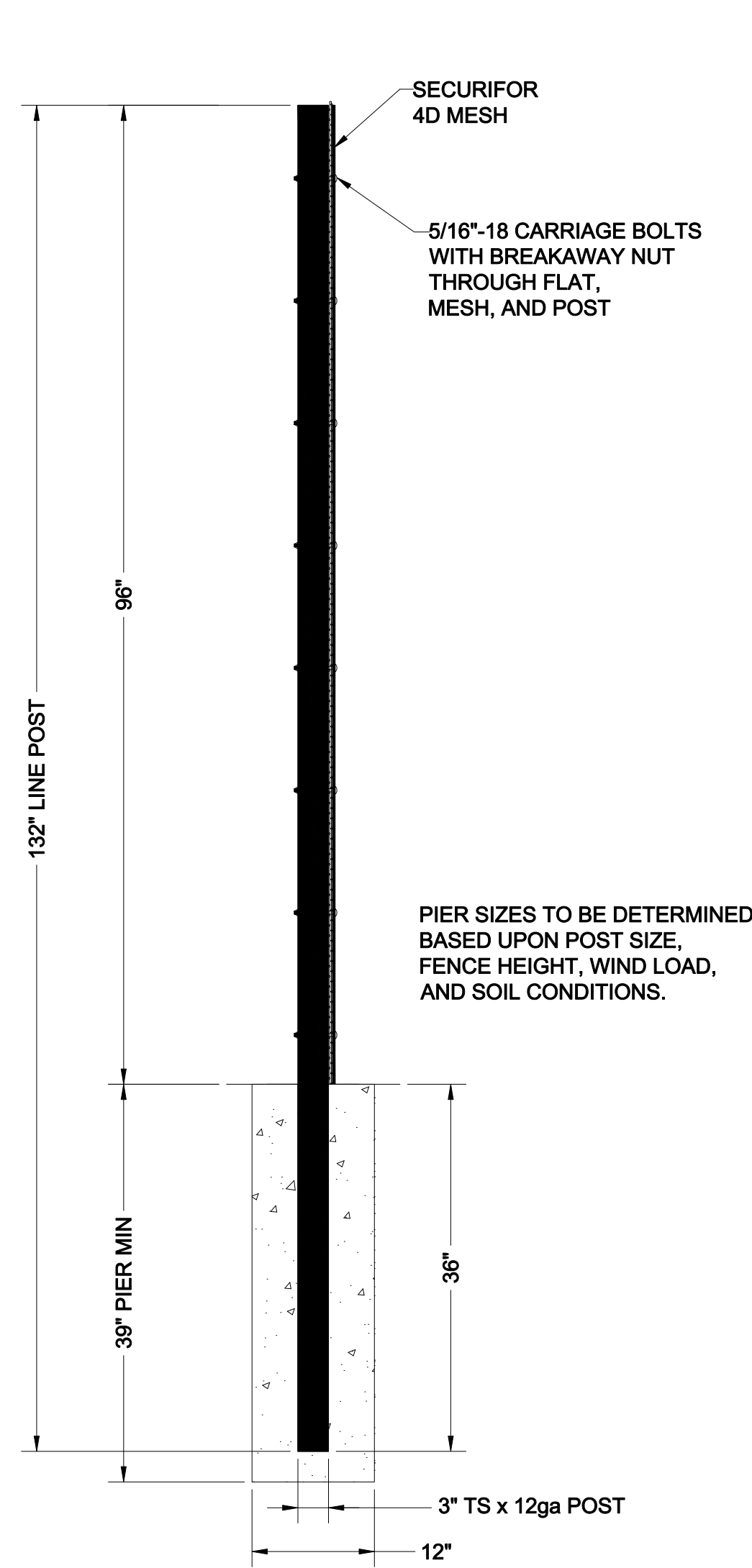
4 DETAIL AT POST
SCALE: NTS



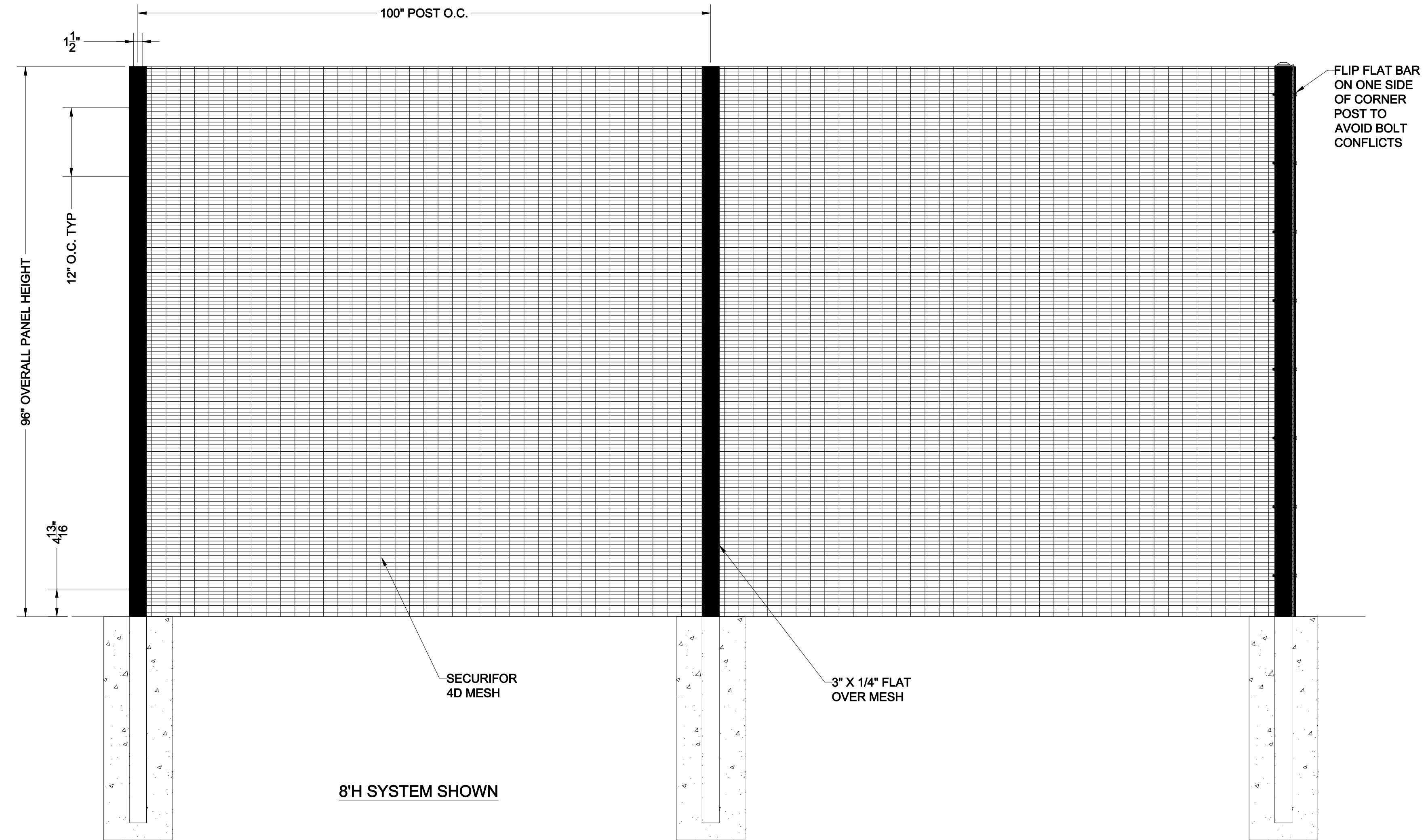
5 NON-90 CORNER DETAIL
SCALE: NTS



2 PLAN
SCALE: NTS



3 SECTION
SCALE: NTS



1 SECURIFOR 4D TYPICAL ELEVATION
SCALE: NTS

DISCLAIMER: DRAWINGS MAY NOT INCLUDE FULL PRODUCT DETAILS AND CAN CHANGE WITHOUT NOTICE.

BETAFENCE
a PR/EST/DIAD brand
Main: 972-878-7000 Fax: 214-887-4552
3909 S. I-45 ENNIS, TX 75119
www.Guardiar.com

REV	DATE	DESCRIPTION	BY

SECURIFOR 4D TYPICAL ELEVATION
FINISH: HDG OR POWDERCOATED
MATERIAL SPECIFICATIONS: ASB SYSTEM CHANNEL, 8" H SYSTEM CHANNEL, 100" O.C. POST, 12" O.C. MESH, 3" X 1/4" FLAT BAR, 3" X 12GA POST, 5/16" X 5" CARRIAGE BOLT WITH BREAKAWAY NUT, ZINC COATING WEIGHT 0.80 OZ/SQ FT

PROJECT	TYPICAL
CUSTOMER CLIENT	HSI HSXXXX
QUOTE#	
DATE	DRAFTER REVIEWER
14-DEC-18	TJR

SHEET NO.
SEC4D