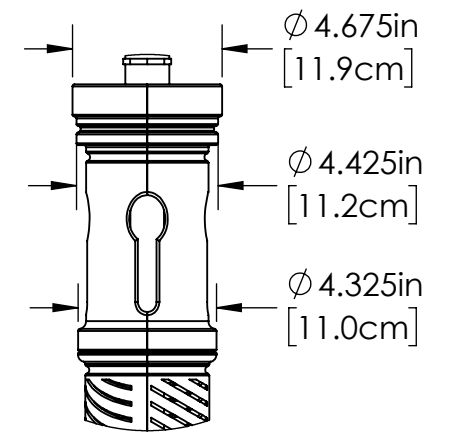
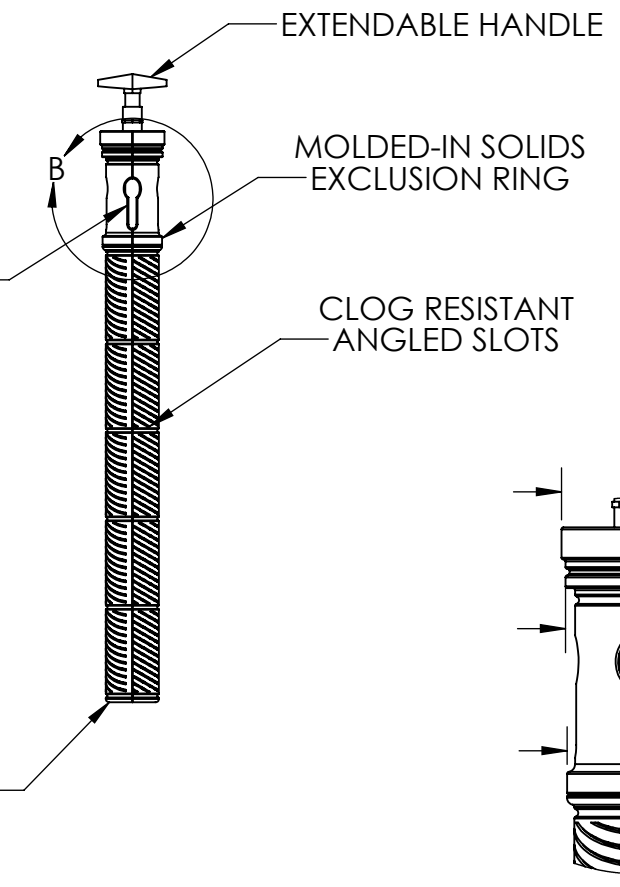
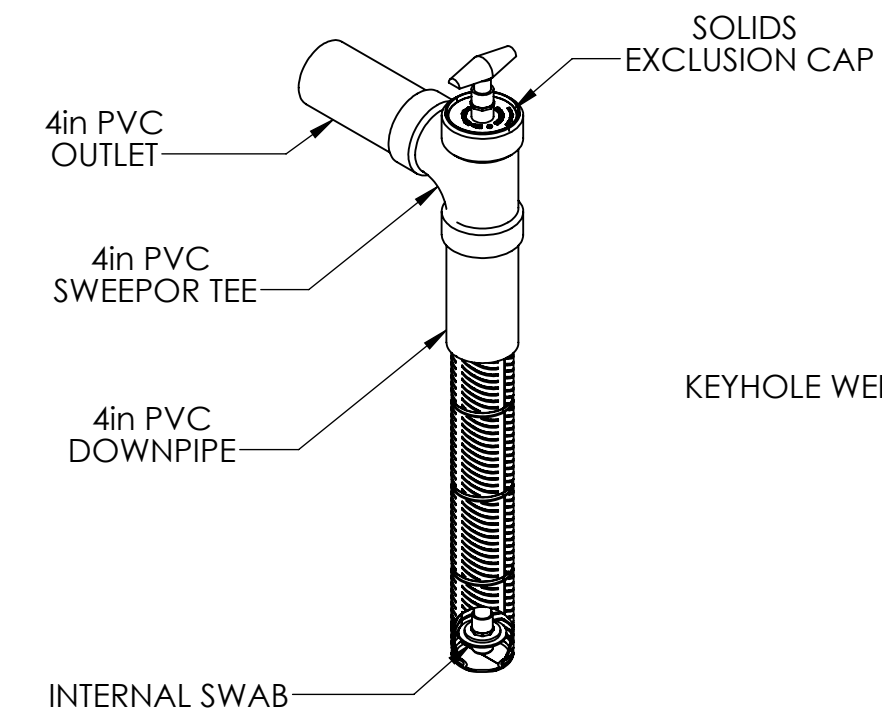
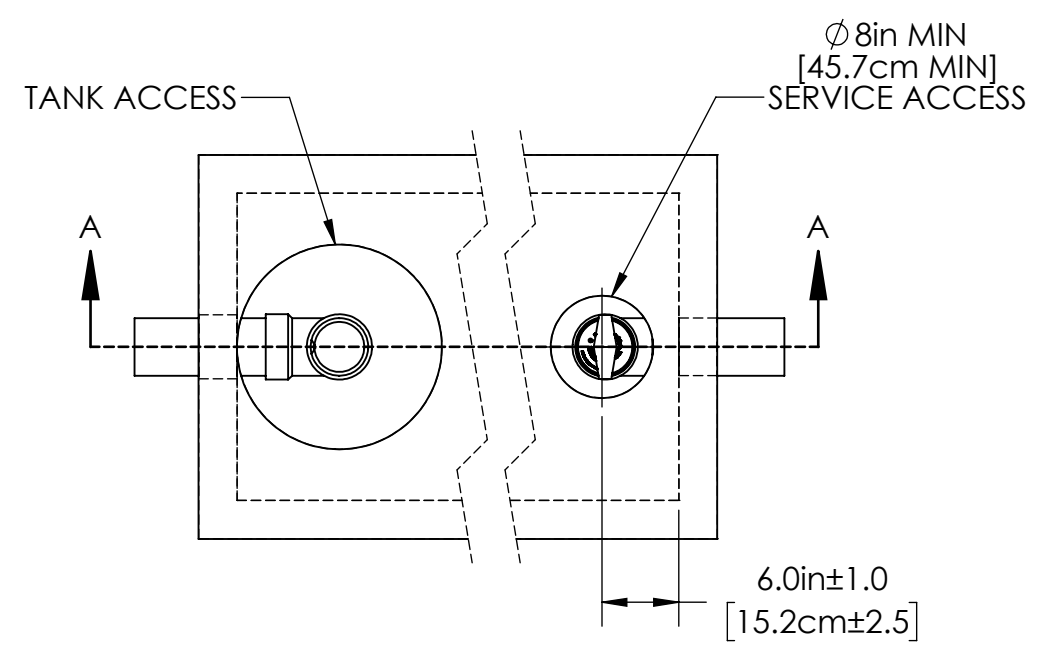
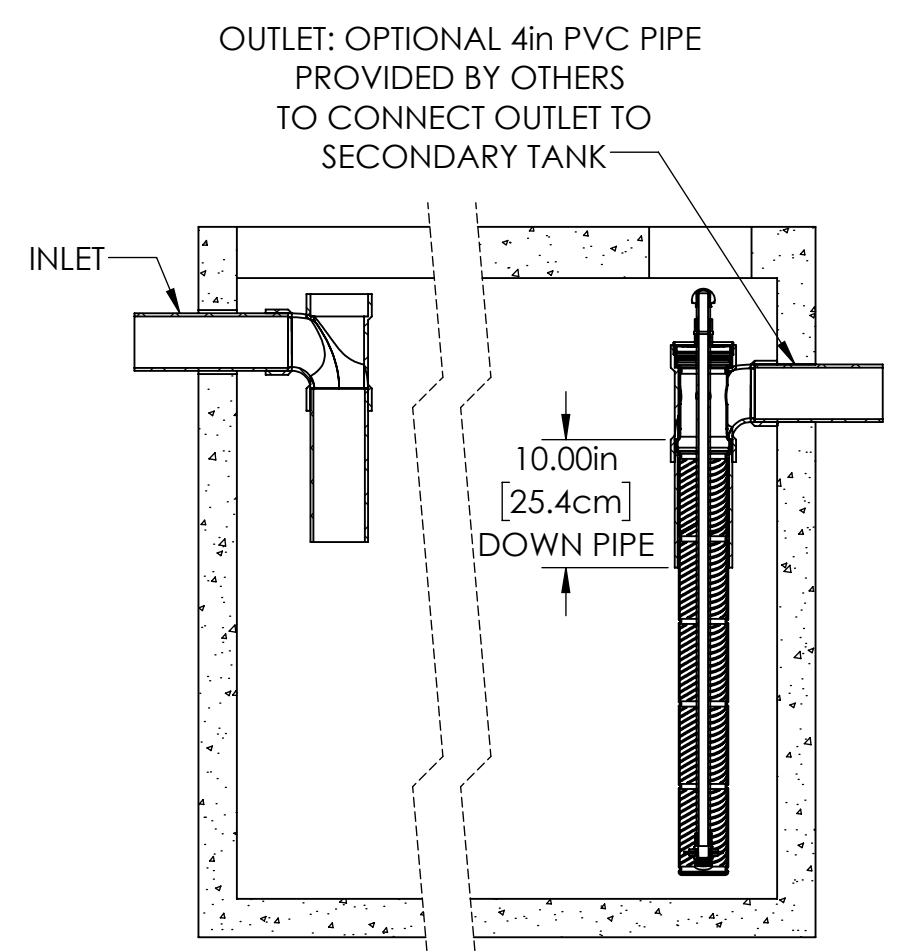


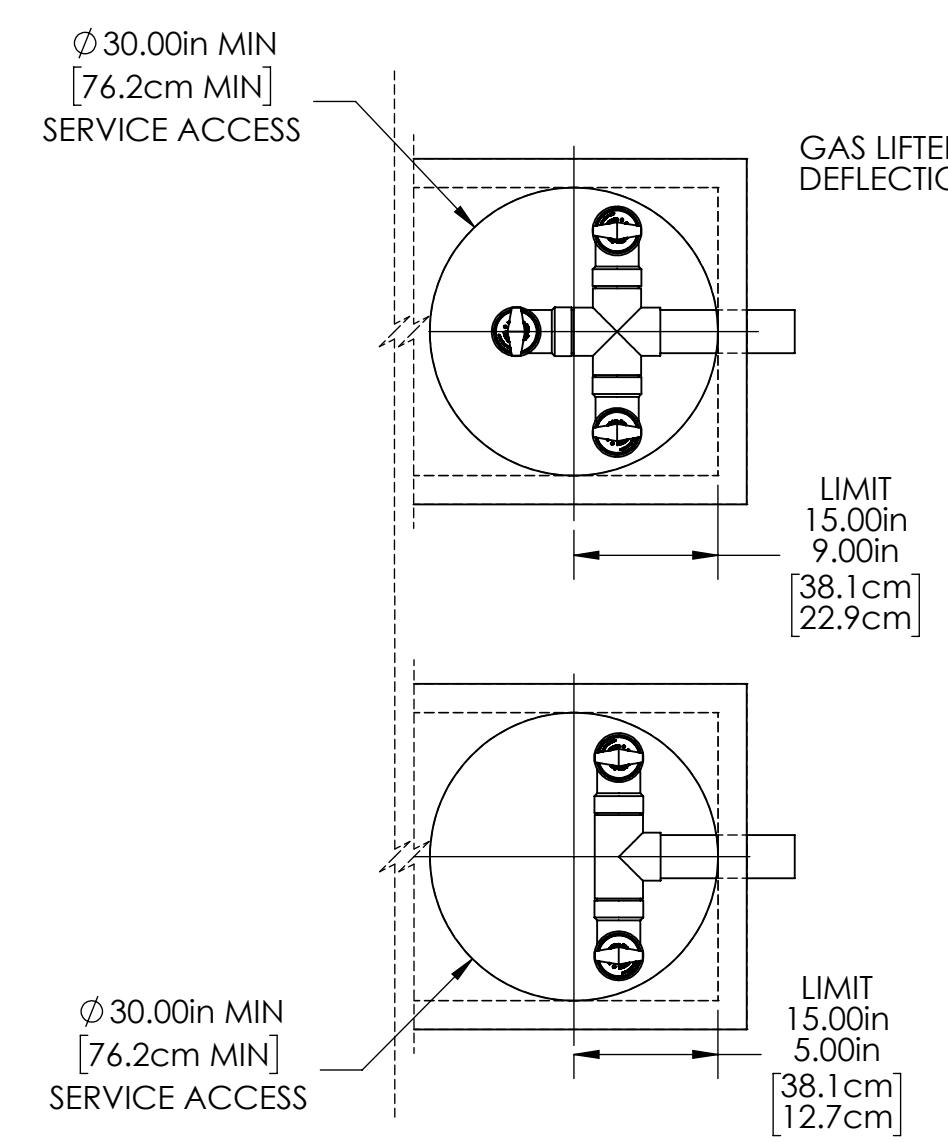
REVISIONS			
REV.	DESCRIPTION	DATE	REV BY
A	INITIAL RELEASE	6/17/2014	CTC
B	UPDATED TO CURRENT STANDARDS	4/27/2021	DFB



DETAIL B
SCALE 1 : 6



SECTION A-A
SCALE 1 : 15




LIMIT
15.00in
9.00in
[38.1cm
22.9cm]

LIMIT
15.00in
5.00in
[38.1cm
12.7cm]

NOTES:

1. SNT 416 IS A 1/16" [1.6MM] EFFLUENT SCREEN CAPABLE OF SCREENING UP TO 1,000 GPD [3.8 CUBIC METERS PER DAY].
2. SNT 418 IS A 1/8" [3.2 MM] EFFLUENT SCREEN CAPABLE OF SCREENING UP TO 2,000 GPD [7.6 CUBIC METERS PER DAY].
3. DOWN PIPE, OUTLET PIPE, AND TEE OR SWEEP NOT INCLUDED.
4. ALL APPURTENANCES TO SANITEE® (E.G. SEPTIC TANK, ACCESS RISERS, ETC.) MUST CONFORM TO ALL APPLICABLE CODES.

PROPRIETARY AND CONFIDENTIAL THE INFORMATION CONTAINED IN THIS DRAWING IS THE SOLE PROPERTY OF BIO-MICROBICS, INC.. ANY REPRODUCTION IN PART OR AS A WHOLE WITHOUT THE WRITTEN PERMISSION OF BIO-MICROBICS, INC. IS PROHIBITED.		UNLESS OTHERWISE SPECIFIED DIMENSIONS ARE IN INCHES AND TOLERANCES ARE AS FOLLOWS X° ± 1° .X ± .50 .XX ± .25	 BETTER WATER. BETTER WORLD.	
DO NOT SCALE DRAWING		DRAWN BY: DFB	DESCRIPTION 4in SaniTEE®	
SHEET 1 OF 1		DATE: 4/27/2021	PART NUMBER	
SCALE: N/A	SIZE: B	APPROVED BY: MSH	SaniTEE® 416 & 418	
		APPROVED BY DATE: 4/27/2021	REV B	