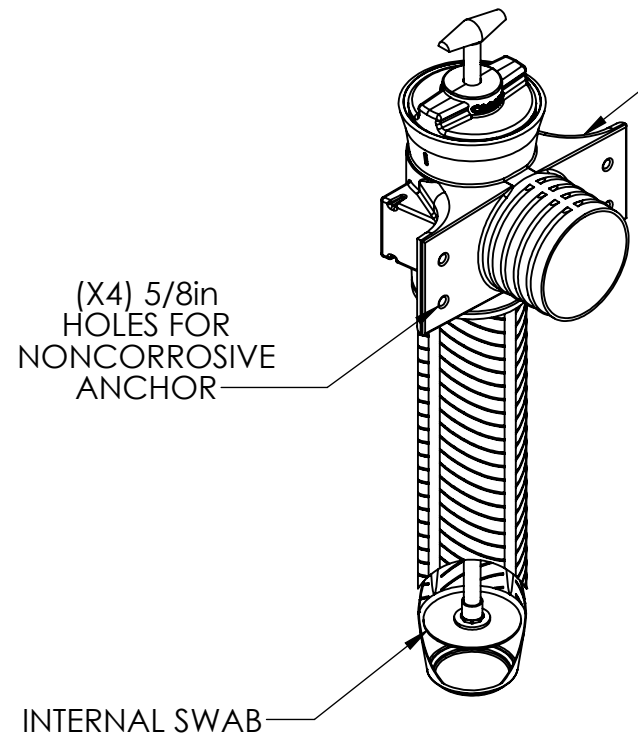
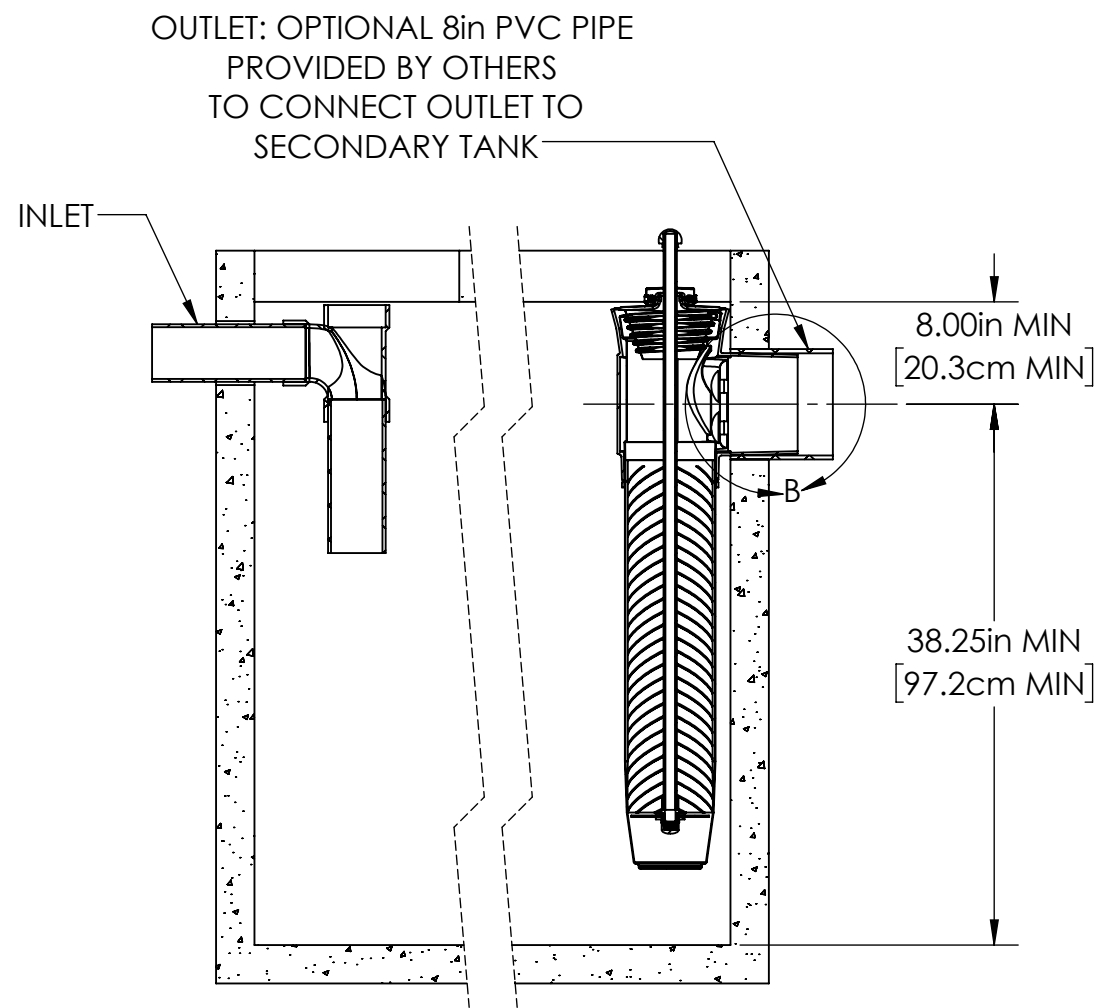
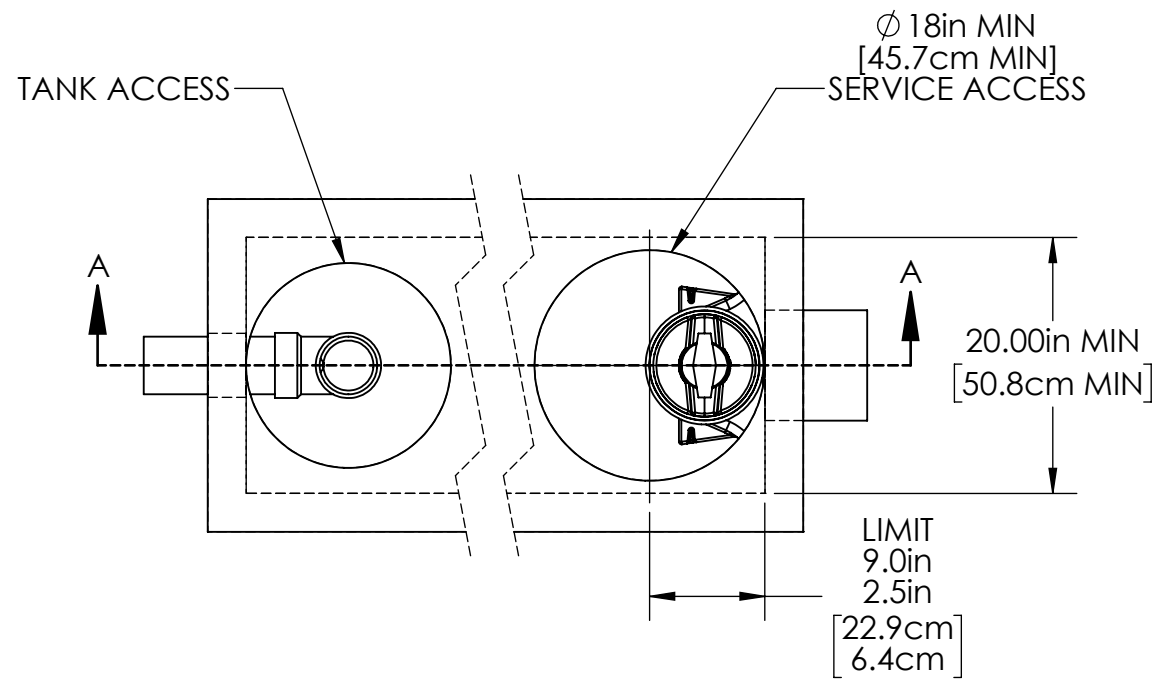
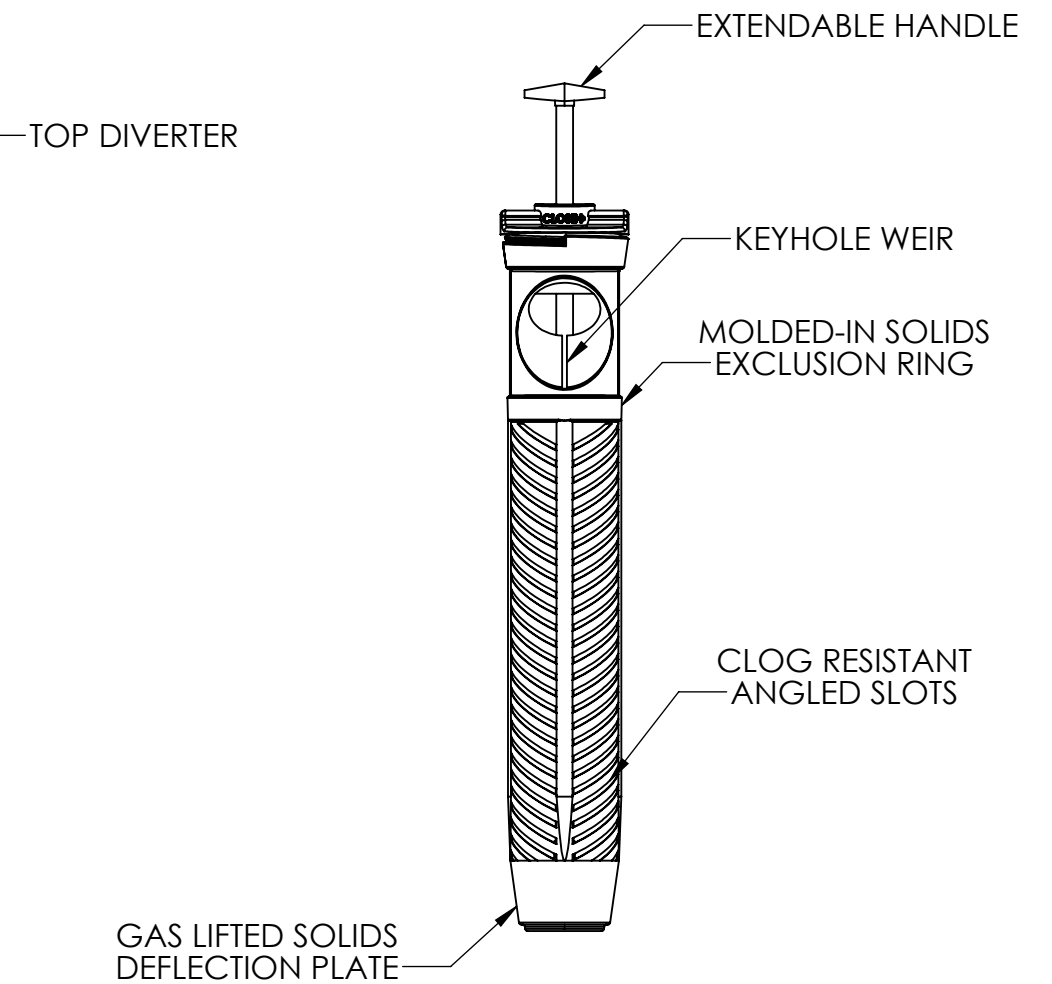
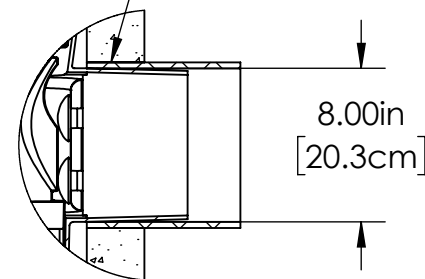


REVISIONS			
REV.	DESCRIPTION	DATE	REV BY
A	INITIAL RELEASE	6/17/2014	CTC
B	UPDATED TO CURRENT STANDARDS	4/27/2021	DFB




IF INSTALLED AS SHOWN IN A  
 SINGLE COMPARTMENT TANK THE  
 8in PVC PIPE MUST BE WATER TIGHT  
 WITHIN THE TANK AND FLUSH  
 AGAINST THE INSIDE TO MOUNT  
 8in SANITEE TOP DIVERTER



**NOTES:**

1. SNT 818-B is a 1/8in [3.2 mm] EFFLUENT SCREEN CAPABLE OF SCREENING UP TO 3,000 GPD [11 CUBIC METERS PER DAY].
2. SNT 818 IS A 1/8in [3.2 MM] EFFLUENT SCREEN CAPABLE OF SCREENING UP TO 6,000 GPD [23 CUBIC METERS PER DAY].
3. SNT 838 IS A 3/8in [9.5 MM] EFFLUENT SCREEN CAPABLE OF SCREENING UP TO 10,000 GPD [38 CUBIC METERS PER DAY].
4. OUTLET PIPE NOT INCLUDED.
5. ALL APPURTENANCES TO SANITEE® (E.G. SEPTIC TANK, ACCESS RISERS, ETC) MUST CONFORM TO ALL APPLICABLE CODES.

PROPRIETARY AND CONFIDENTIAL THE INFORMATION CONTAINED IN THIS DRAWING IS THE SOLE PROPERTY OF BIO-MICROBICS, INC., ANY REPRODUCTION IN PART OR AS A WHOLE WITHOUT THE WRITTEN PERMISSION OF BIO-MICROBICS, INC. IS PROHIBITED.		UNLESS OTHERWISE SPECIFIED DIMENSIONS ARE IN INCHES AND TOLERANCES ARE AS FOLLOWS X° ± 1° .X ± .50 .XX ± .25		 BETTER WATER. BETTER WORLD.	
DO NOT SCALE DRAWING		DRAWN BY: DFB		DESCRIPTION 8in SaniTEE®	
SHEET 1 OF 1		DATE: 4/27/2021		PART NUMBER	
SCALE: N/A		APPROVED BY: MSH		SaniTEE® 818-B, 818, & 838	
SIZE: B		APPROVED BY DATE: 4/27/2021		REV B	