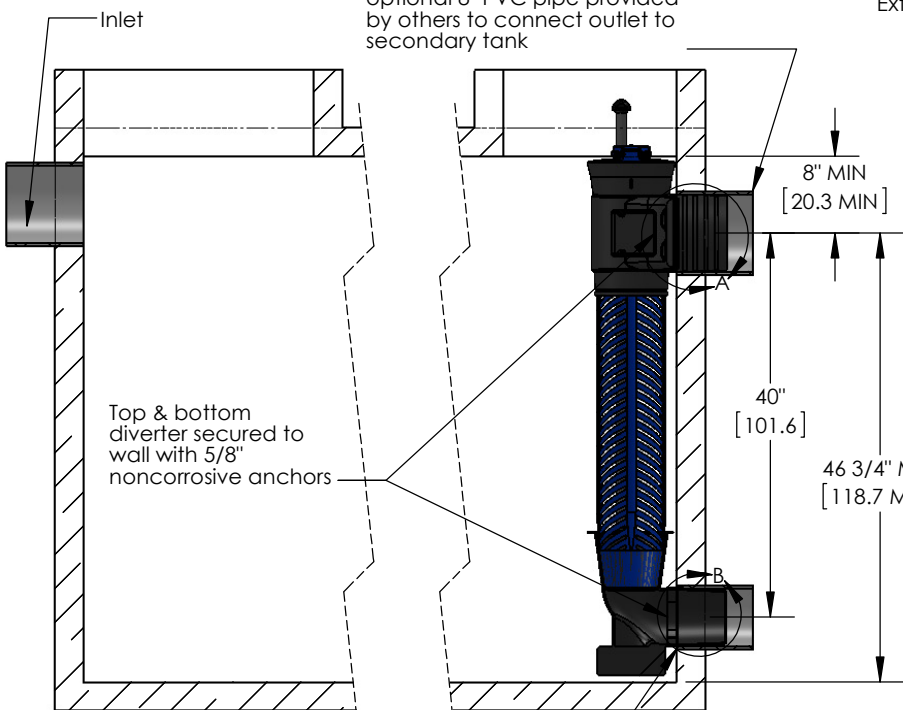


Outlet optional 8" PVC pipe provided by others to connect outlet to secondary tank



If installed as shown in a single compartment tank the 6" PVC pipe must be water tight within the tank and flush against the inside to install the StormTEE® bottom diverter.

If installed as shown in a single compartment tank the 6" PVC pipe must be water tight within the tank and flush against the inside to mount 8" SaniTEE bottom diverter

Ø 18" MIN
[45.7 MIN]
Service access

20" MIN
[51 MIN]

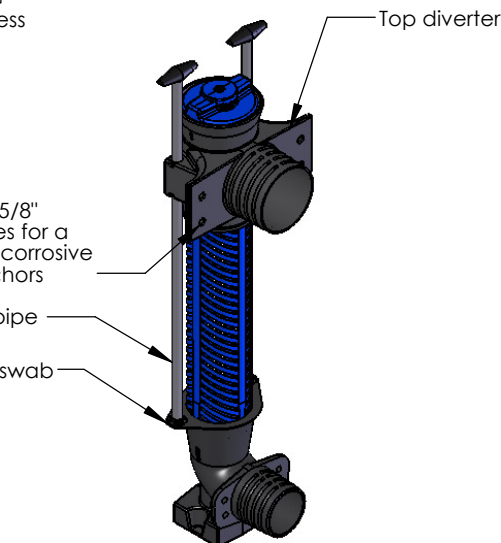
(x4) 5/8" Holes for a noncorrosive anchors

3/4" PVC pipe
External swab

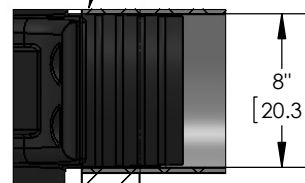
8" MIN
[20.3 MIN]

40"
[101.6]

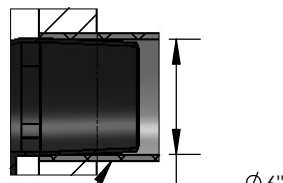
46 3/4" MIN
[118.7 MIN]



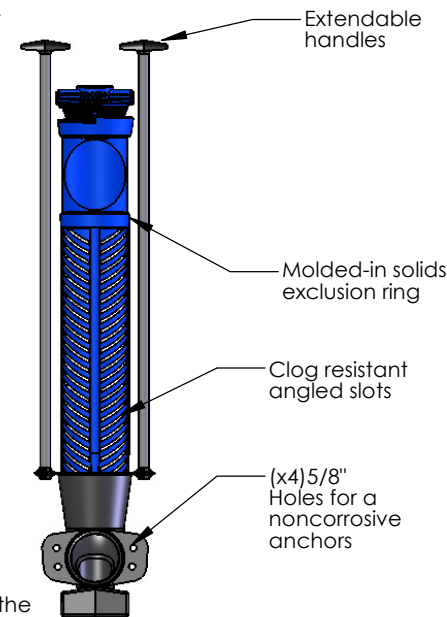
If installed as shown in a single compartment tank the 8" PVC pipe must be water tight within the tank and flush against the inside to mount 8" SaniTEE top diverter



DETAIL A
SCALE 1 : 10



DETAIL B
SCALE 1 : 10



Notes:

- SMT 818 is a 1/8" [3.2 mm] storm water screen capable of screening up to 450 GPM [1.7 cubic meters per minute].
- SMT 838 is a 3/8" [9.5 mm] storm water screen capable of screening up to 750 GPM [2.8 cubic meters per minute].
- Outlet pipes not included.
- All appurtenances to StormTEE® (e.g. septic tank, access risers, etc) must conform to all applicable codes.

DO NOT SCALE
UNLESS NOTED DIMENSIONS ARE IN INCHES [CENTIMETERS] TOLERANCES ± 0.02 IN/IN [± 0.05 CM/CM]



8 Inch StormTEE

THE INFORMATION CONTAINED IN THIS DRAWING IS THE SOLE PROPERTY OF BIO-MICROBICS INC. ANY REPRODUCTION IN PART OR AS A WHOLE WITHOUT THE WRITTEN PERMISSION OF BIO-MICROBICS INC. IS PROHIBITED. DESIGN AND INVENTION RIGHTS ARE RESERVED. IN THE INTEREST OF TECHNOLOGICAL ADVANCEMENT, ALL PRODUCTS ARE SUBJECT TO DESIGN AND OR MATERIAL CHANGE WITHOUT NOTICE.

BIO-MICROBICS © 2014

WEIGHT	lb	SIZE	DRAWING NUMBER	SHEET 1 OF 1
NAME	DATE	A	StormTEE® 818 & 838	
DRAWN	CTC 3/31/2005			
CHECKED	PF 4/9/2014		REVISED 4/9/2014	REV. CAT-01