



Innovative Products

2395 West 4th Avenue Denver, CO 80223 USA  
 Phone 303.892.0400 Toll Free 800.333.4234 Fax 303.825.5988  
 EMail info@BisonIP.com Web www.BisonIP.com

Get CEU Credits, Details & Specifications online at [BisonIP.com](http://BisonIP.com)

**VERSADJUST**  
Adjustable Deck Supports

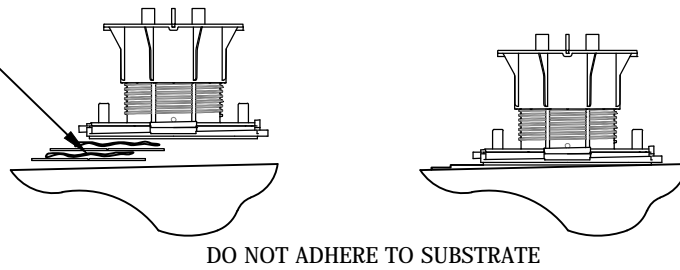
**B11 FLEXIBLE RUBBER SHIMS** MAY BE PLACED ON TOP OF EACH PEDESTAL TO DAMPEN THE SOUND OF FOOT TRAFFIC. B11s MAY BE USED WHOLE OR CUT INTO SEGMENTS FOR SHIMMING.



**B11 DETAIL**

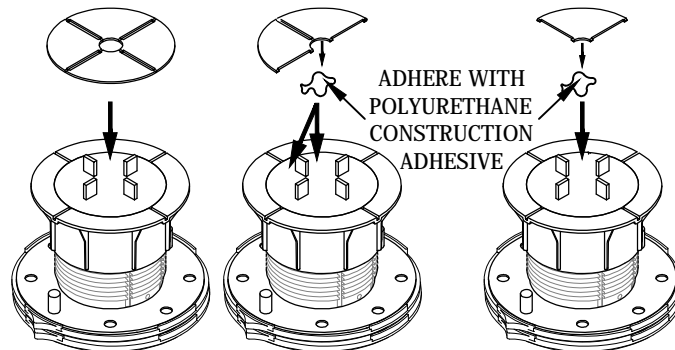
PLACE B11 FLEXIBLE RUBBER SHIMS, WHOLE OR IN SEGMENTS, UNDER THE PEDESTAL IN A STAIR STEP FASHION TO COMPENSATE FOR SLOPING SUBSTRATES. USE NO MORE THAN 2 SHIMS, AND ADHERE THEM TO EACH OTHER WITH CONSTRUCTION ADHESIVE.

ADHERE SHIMS IN PLACE WITH POLYURETHANE CONSTRUCTION ADHESIVE



**B11s UNDER VERSADJUST**

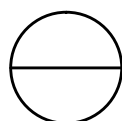
B11 FLEXIBLE SHIMS MAY BE PLACED ON TOP OF PEDESTALS FOR MINOR LEVELING OF PAVERS WITH THICKNESS VARIATIONS. USE NO MORE THAN 2 SHIMS.



**B11s ON TOP OF VERSADJUST**

GENERAL NOTES: APPLY TO ALL OF THE ABOVE PRODUCTS

1. INSTALLATION MUST BE COMPLETED IN ACCORDANCE WITH BISON INNOVATIVE PRODUCTS SPECIFICATIONS.
2. DRAWINGS NOT TO SCALE.
3. CONTRACTOR'S NOTE: FOR PRODUCT AND COMPANY INFORMATION VISIT [www.BisonIP.com](http://www.BisonIP.com)



**B11 SHIM PLACEMENTS**

1/16" FLEXIBLE SHIM