

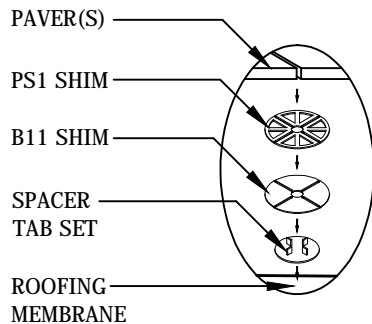


Innovative Products

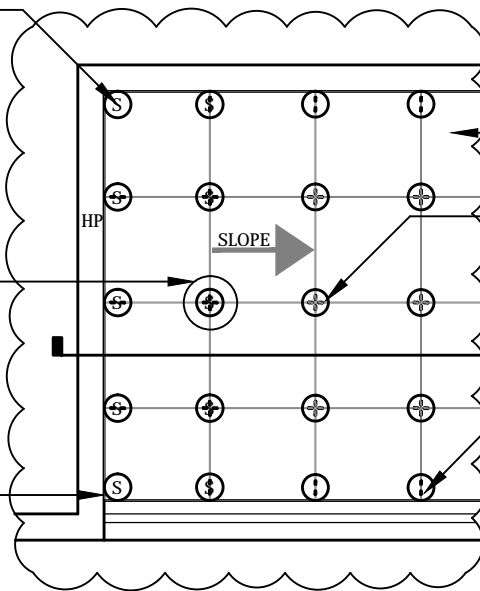
2395 West 4th Avenue Denver, CO 80223 USA
 Phone 303.892.0400 Toll Free 800.333.4234 Fax 303.825.5988
 EMail info@BisonIP.com Web www.BisonIP.com

VERSADJUST
Adjustable Deck Supports

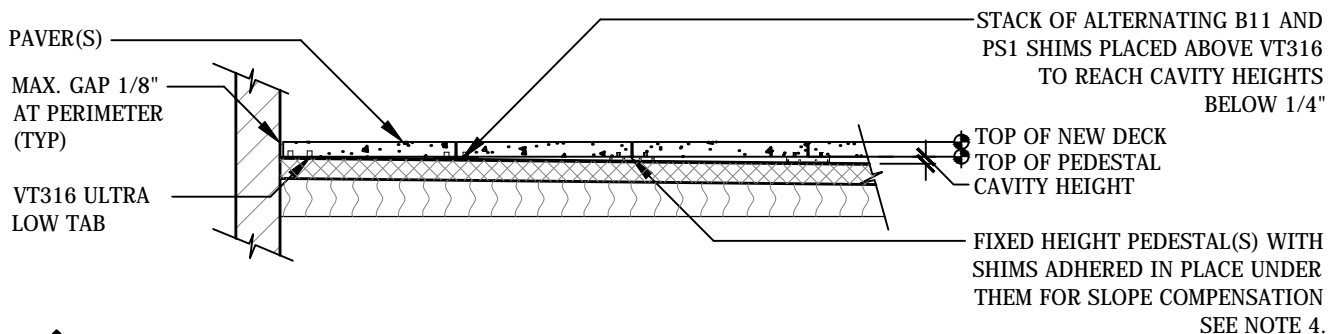
STARTING WITH THE VT316, STACK B11 AND PS1 SHIMS IN PLACE TO REACH HEIGHTS BELOW 1/4"



MAX. GAP 1/8" AT PERIMETER (TYP)



MINIMUM CAVITY HEIGHT PLAN VIEW



B MINIMUM CAVITY HEIGHT SECTION VIEW

GENERAL NOTES: APPLY TO ALL OF THE ABOVE PRODUCTS

1. INSTALLATION MUST BE COMPLETED IN ACCORDANCE WITH BISON INNOVATIVE PRODUCTS SPECIFICATIONS.
2. DRAWINGS NOT TO SCALE.
3. CONTRACTOR'S NOTE: FOR PRODUCT AND COMPANY INFORMATION VISIT www.BisonIP.com
4. "ADHERE" - INSTALLER MUST ADHERE WITH POLYURETHANE CONSTRUCTION ADHESIVE.

F LOW CAVITY HEIGHT PLACEMENT

CAVITY HEIGHTS BELOW 1/4"