



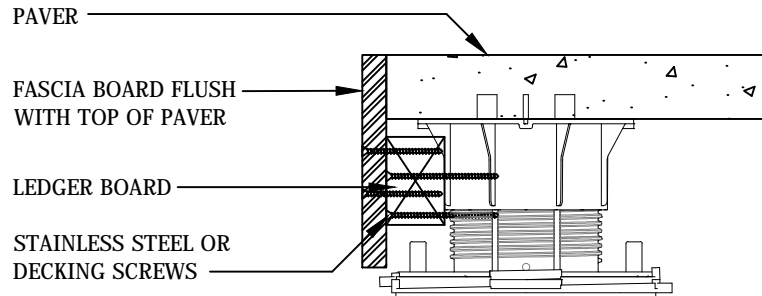
Innovative Products

2395 West 4th Avenue Denver, CO 80223 USA
 Phone 303.892.0400 Toll Free 800.333.4234 Fax 303.825.5988
 EMail info@BisonIP.com Web www.BisonIP.com

Get CEU Credits, Details & Specifications online at BisonIP.com

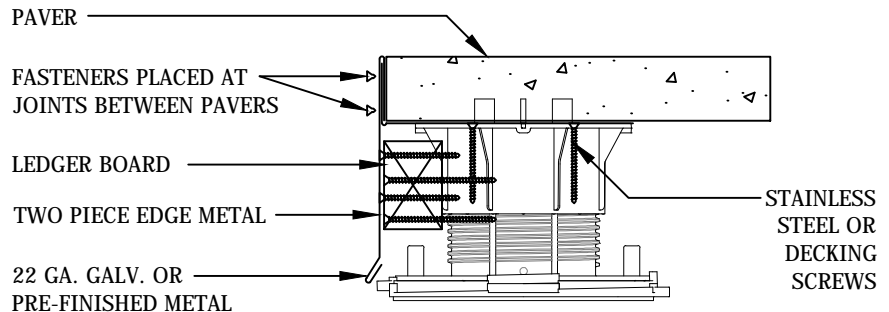
VERSADJUST
 Adjustable Deck Supports

**BOTTOM OF FASCIA BOARD
 MAY BE CUT ABOVE
 SUBSTRATE TO ALLOW
 WATER TO ESCAPE. FASCIA
 BOARD MUST FULLY
 CONTAIN PAVERS, AND
 MUST TIE BACK INTO A
 BUILDING WALL OR
 PARAPET.**



WOOD FASCIA CONTAINMENT

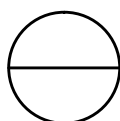
**BOTTOM OF METAL
 CONTAINMENT MAY BE
 BENT OR CUT ABOVE
 SUBSTRATE TO ALLOW
 WATER TO ESCAPE. METAL
 CONTAINMENT MUST FULLY
 CONTAIN PAVERS, AND
 MUST TIE BACK IN TO A
 BUILDING WALL OR
 PARAPET.**



METAL FLASHING CONTAINMENT

GENERAL NOTES: APPLY TO ALL OF THE ABOVE PRODUCTS

1. INSTALLATION MUST BE COMPLETED IN ACCORDANCE WITH BISON INNOVATIVE PRODUCTS SPECIFICATIONS.
2. DRAWINGS NOT TO SCALE.
3. CONTRACTOR'S NOTE: FOR PRODUCT AND COMPANY INFORMATION VISIT www.BisonIP.com



EDGE RESTRAINT

WOOD OR METAL PERIMETER CONTAINMENT