



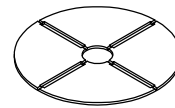
Innovative Products

2395 West 4th Avenue Denver, CO 80223 USA
 Phone 303.892.0400 Toll Free 800.333.4234 Fax 303.825.5988
 EMail info@BisonIP.com Web www.BisonIP.com

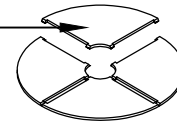
Get CEU Credits, Details & Specifications online at BisonIP.com

LEVEL.IT
 Adjustable Deck Supports

B11 FLEXIBLE RUBBER SHIMS MAY BE PLACED ON TOP OF EACH PEDESTAL TO DAMPEN THE SOUND OF FOOT TRAFFIC. B11s MAY BE USED WHOLE OR CUT INTO SEGMENTS FOR SHIMMING.



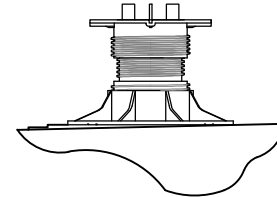
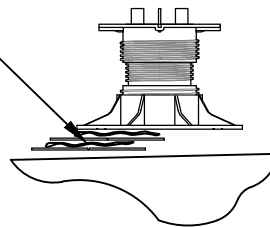
MAY BE CUT INTO SEGMENTS



B11 DETAIL

PLACE B11 FLEXIBLE RUBBER SHIMS, WHOLE OR IN SEGMENTS, UNDER THE PEDESTAL IN A STAIR STEP FASHION TO COMPENSATE FOR SLOPING SUBSTRATES. USE NO MORE THAN 2 SHIMS, AND ADHERE THEM TO EACH OTHER WITH CONSTRUCTION ADHESIVE.

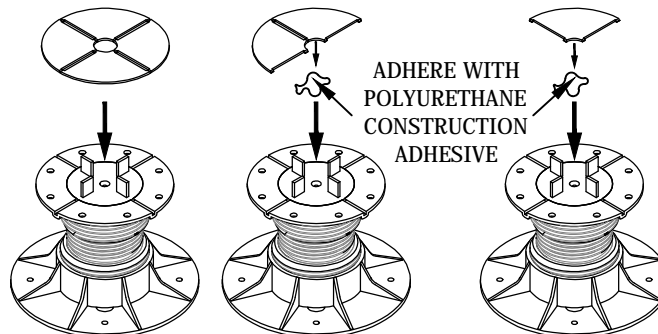
ADHERE SHIMS IN PLACE WITH POLYURETHANE CONSTRUCTION ADHESIVE



DO NOT ADHERE TO SUBSTRATE

B11s UNDER LEVEL.IT

B11 FLEXIBLE SHIMS MAY BE PLACED ON TOP OF PEDESTALS FOR MINOR LEVELING OF PAVERS WITH THICKNESS VARIATIONS. USE NO MORE THAN 2 SHIMS.

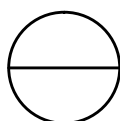


ADHERE WITH POLYURETHANE CONSTRUCTION ADHESIVE

B11s OVER LEVEL.IT

GENERAL NOTES: APPLY TO ALL OF THE ABOVE PRODUCTS

1. INSTALLATION MUST BE COMPLETED IN ACCORDANCE WITH BISON INNOVATIVE PRODUCTS SPECIFICATIONS.
2. DRAWINGS NOT TO SCALE.
3. CONTRACTOR'S NOTE: FOR PRODUCT AND COMPANY INFORMATION VISIT www.BisonIP.com



B11 SHIM PLACEMENTS

1/16" FLEXIBLE SHIM