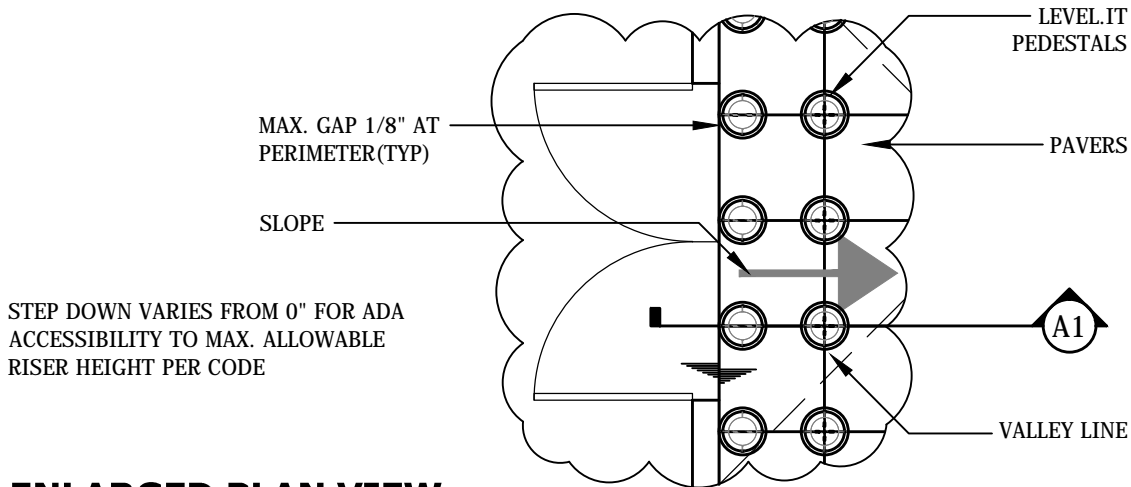




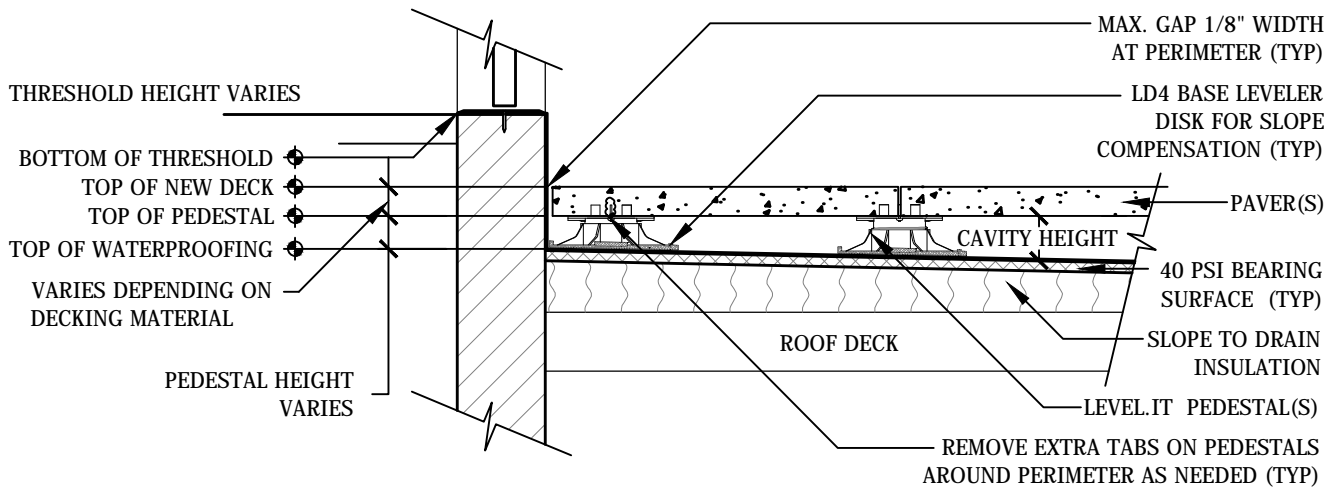
Innovative Products

2395 West 4th Avenue Denver, CO 80223 USA
 Phone 303.892.0400 Toll Free 800.333.4234 Fax 303.825.5988
 EMail info@BisonIP.com Web www.BisonIP.com

LEVEL.IT
 Adjustable Deck Supports



ENLARGED PLAN VIEW



A1 THRESHOLD PEDESTAL PLACEMENT SECTION DETAIL

- GENERAL NOTES: APPLY TO ALL OF THE ABOVE PRODUCTS
1. INSTALLATION MUST BE COMPLETED IN ACCORDANCE WITH BISON INNOVATIVE PRODUCTS SPECIFICATIONS.
 2. DRAWINGS NOT TO SCALE.
 3. CONTRACTOR'S NOTE: FOR PRODUCT AND COMPANY INFORMATION VISIT www.BisonIP.com

A THRESHOLD PLACEMENT
 ENLARGED PLAN VIEW AND SECTION VIEW