

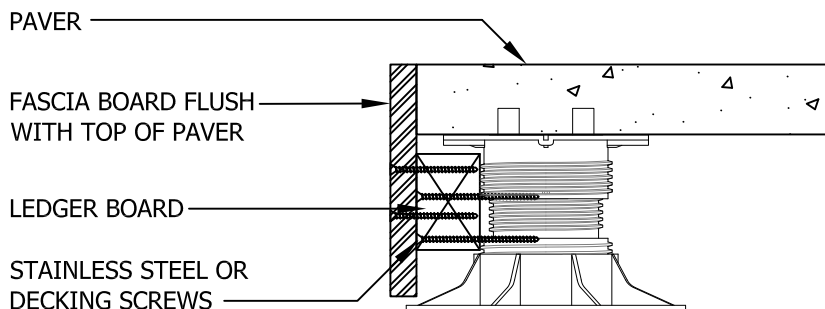


Innovative Products

2395 West 4th Avenue Denver, CO 80223 USA
 Phone 303.892.0400 Toll Free 800.333.4234 Fax 303.825.5988
 EMail info@BisonIP.com Web www.BisonIP.com

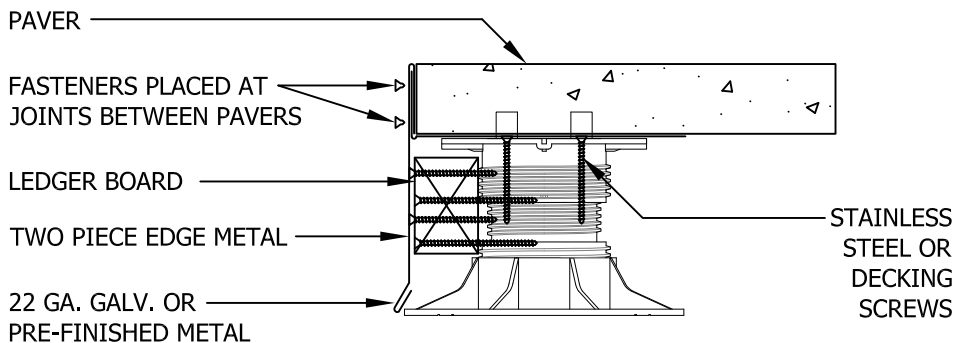
LEVEL.IT
 Adjustable Deck Supports

BOTTOM OF FASCIA BOARD
 MAY BE CUT ABOVE
 SUBSTRATE TO ALLOW
 WATER TO ESCAPE. FASCIA
 BOARD MUST FULLY
 CONTAIN PAVERS, AND
 MUST TIE BACK INTO A
 BUILDING WALL OR
 PARAPET.



WOOD FASCIA CONTAINMENT

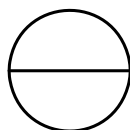
BOTTOM OF METAL
 CONTAINMENT MAY BE
 BENT OR CUT ABOVE
 SUBSTRATE TO ALLOW
 WATER TO ESCAPE. METAL
 CONTAINMENT MUST FULLY
 CONTAIN PAVERS, AND
 MUST TIE BACK IN TO A
 BUILDING WALL OR
 PARAPET.



METAL FLASHING CONTAINMENT

GENERAL NOTES: APPLY TO ALL OF THE ABOVE PRODUCTS

1. INSTALLATION MUST BE COMPLETED IN ACCORDANCE WITH BISON INNOVATIVE PRODUCTS SPECIFICATIONS.
2. DRAWINGS NOT TO SCALE.
3. CONTRACTOR'S NOTE: FOR PRODUCT AND COMPANY INFORMATION VISIT www.BisonIP.com



EDGE RESTRAINT

WOOD OR METAL PERIMETER CONTAINMENT