



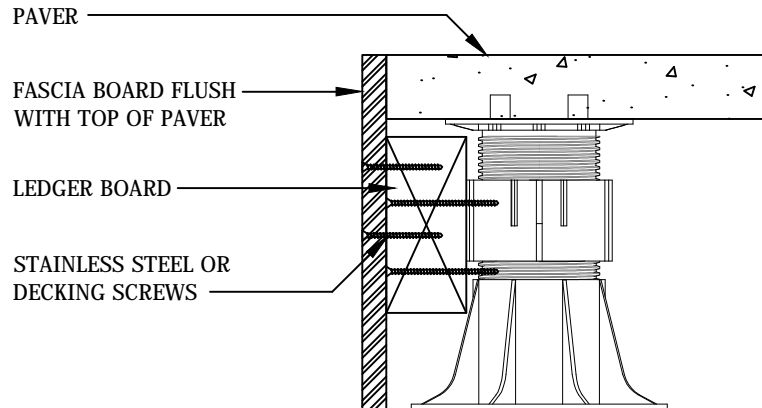
Innovative Products

2395 West 4th Avenue Denver, CO 80223 USA  
 Phone 303.892.0400 Toll Free 800.333.4234 Fax 303.825.5988  
 EMail info@BisonIP.com Web www.BisonIP.com

Get CEU Credits, Details & Specifications online at BisonIP.com

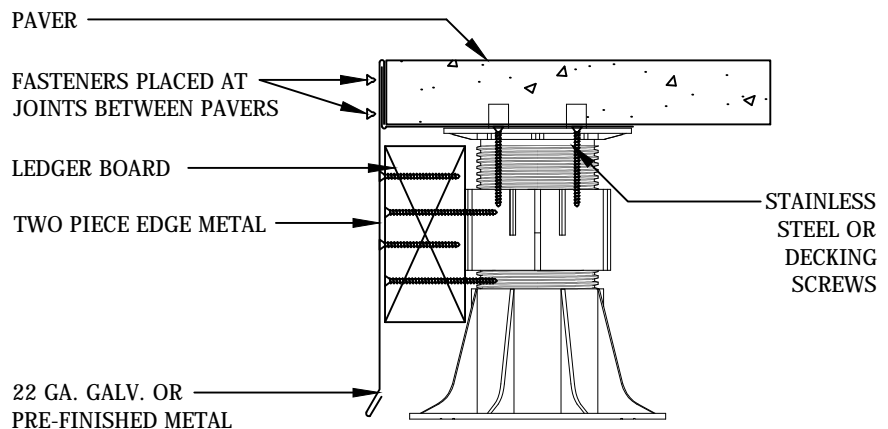
**SCREWJACK**  
 Adjustable Deck Supports

**BOTTOM OF FASCIA BOARD  
 MAY BE CUT ABOVE  
 SUBSTRATE TO ALLOW  
 WATER TO ESCAPE. FASCIA  
 BOARD MUST FULLY  
 CONTAIN PAVERS, AND  
 MUST TIE BACK INTO A  
 BUILDING WALL OR  
 PARAPET.**



## WOOD FASCIA CONTAINMENT

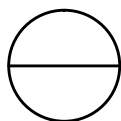
**BOTTOM OF METAL  
 CONTAINMENT MAY BE  
 BENT OR CUT ABOVE  
 SUBSTRATE TO ALLOW  
 WATER TO ESCAPE. METAL  
 CONTAINMENT MUST FULLY  
 CONTAIN PAVERS, AND  
 MUST TIE BACK IN TO A  
 BUILDING WALL OR  
 PARAPET.**



## METAL FLASHING CONTAINMENT

**GENERAL NOTES:** APPLY TO ALL OF THE ABOVE PRODUCTS

1. INSTALLATION MUST BE COMPLETED IN ACCORDANCE WITH BISON INNOVATIVE PRODUCTS SPECIFICATIONS.
2. DRAWINGS NOT TO SCALE.
3. CONTRACTOR'S NOTE: FOR PRODUCT AND COMPANY INFORMATION VISIT [www.BisonIP.com](http://www.BisonIP.com)



**EDGE RESTRAINT**

WOOD OR METAL PERIMETER CONTAINMENT