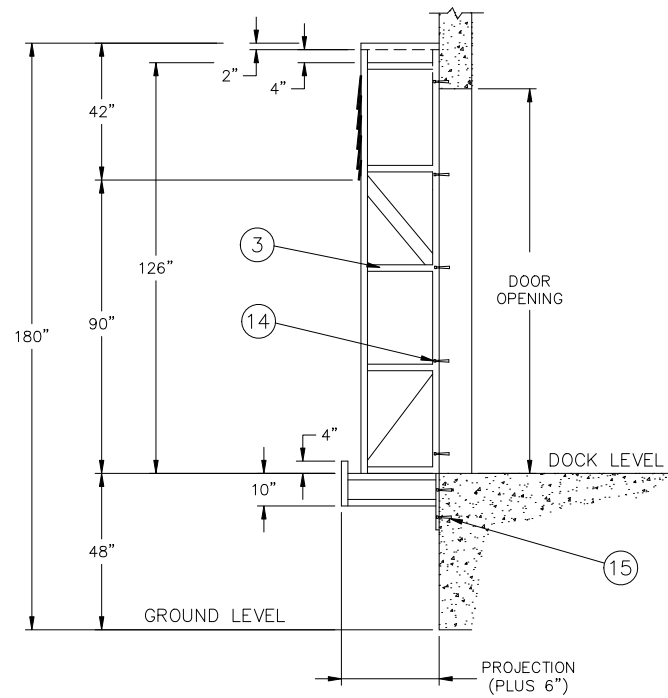
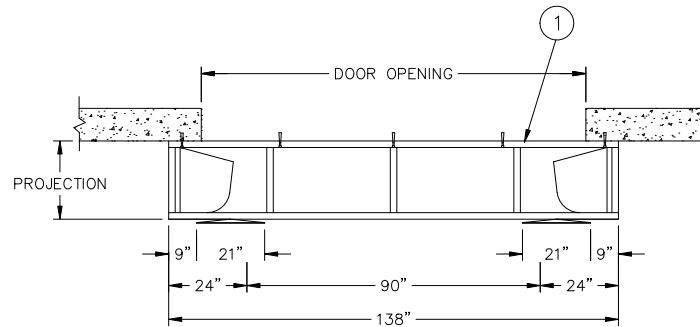


1
F1
STANDARD UNIT DETAIL
ISOMETRIC VIEW
N.T.S.



2
F1
STANDARD UNIT DETAIL
SIDE VIEW
SCALE: 1" = 1'-0"



3
F1
STANDARD UNIT DETAIL
PLAN VIEW
SCALE: 1" = 1'-0"

No.	DESCRIPTION
1	WOOD HEAD FRAME (PRESSURE TREATED)
2	HEAD CURTAIN
3	WOOD SIDE FRAME (PRESSURE TREATED)
4	STEEL GUARD
5	BOTTOM DRAFT PAD
6	PROTECTIVE FLAPS
7	STAYS
8	U.V. NAT. POLYETHELENE - TOP & SIDES
9	FOAM FILLED EDGE STIFFENER
10	GALVANIZED TRIM ANGLE
11	SIDE CURTAIN
12	DOUBLE LAYER OF FABRIC x 24" HIGH
13	4" x 24" YELLOW GUIDE STRIPE
14	3/8" x 3" SLEEVE ANCHOR
15	5/8" x 4.25" WEDGE ANCHOR
16	WIND STRAP
17	GUSSETS

NOTES: 1) ALL DIMENSIONS ARE STANDARD AND IN IMPERIAL SYSTEM.
2) UNITS CAN BE MANUFACTURED TO SUIT.
3) DRAWINGS NOT TO BE SCALED.



SERIES	D-400 GUSSETS
TITLE:	STATIONARY TRUCK SHELTER
DISTRIBUTED BY:	
DATE: 02/27/07	SHEET 1 OF 1 DWG.# D-400 REV.0

REV.#	DATE	DESCRIPTION	BY