

PART NUMBER:
DL-6-6

PART NUMBER:
DL-6-6

JOB NUMBER:
NA

A

BLUE GIANT EQUIPMENT CORP.

85 Heart Lake Road South
Brampton, Ontario, L6W 3K2
Tel: 905-457-3900
Fax: 905-457-5586



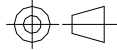
PROPRIETARY AND CONFIDENTIAL

THE INFORMATION CONTAINED IN THIS DRAWING IS THE SOLE PROPERTY OF BLUE GIANT EQUIPMENT CORPORATION. ANY REPRODUCTION IN PART OR AS A WHOLE WITHOUT THE WRITTEN PERMISSION OF BLUE GIANT EQUIPMENT CORPORATION IS PROHIBITED.

DIMENSIONS ARE IN INCHES

TOLERANCES:

FRACTIONAL	1/32
ANGULAR	MACH 5 BEND 2
ONE PLACE DECIMAL	0.015
TWO PLACE DECIMAL	0.010
THREE PLACE DECIMAL	0.005

THIRD ANGLE PROJECTION 

DESCRIPTION
DOCK LEVELER 6' x 6'

DWG. NO.
DL-6-6

FDR:

REF.

APPROX. WEIGHT (lb.):

SCALE: 1:30	SIZE A
-------------	--------

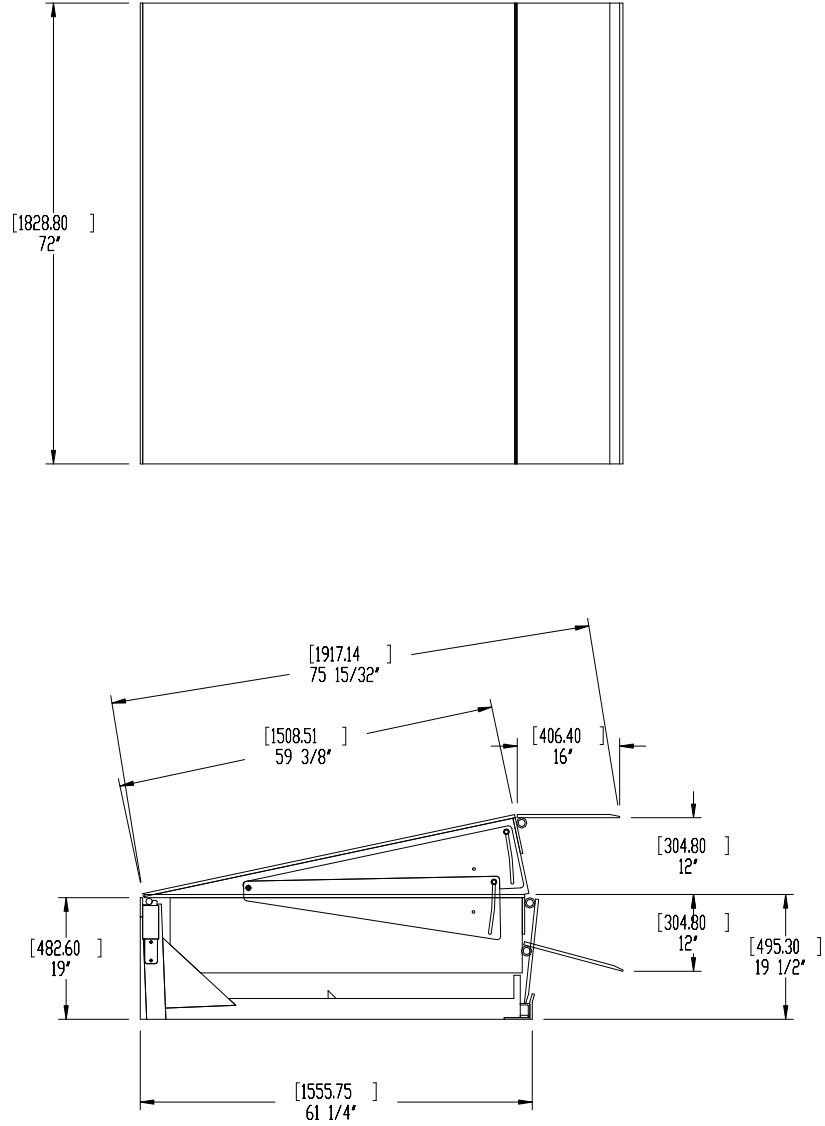
MATERIAL:

MATERIAL NO

	NAME	SIGNATURE	DATE
DRAWN			Dec 29, 2009
DESIGN			Dec 29, 2009
ENG APPR.			Dec 29, 2009
MFG APPR.			Dec 29, 2009
Q.A.			Dec 29, 2009

COATING:

FINISH:



H
G
F
E
D
C
B
A