

PART NUMBER:  
**DL-6-8**

PART NUMBER:  
**DL-6-8**

JOB NUMBER:  
NA

A

**BLUE GIANT EQUIPMENT CORP.**

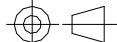
85 Heart Lake Road South  
Brampton, Ontario, L6W 3K2  
Tel: 905-457-3900  
Fax: 905-457-5586



**PROPRIETARY AND CONFIDENTIAL**

THE INFORMATION CONTAINED IN THIS DRAWING IS THE SOLE PROPERTY OF BLUE GIANT EQUIPMENT CORPORATION. ANY REPRODUCTION IN PART OR AS A WHOLE WITHOUT THE WRITTEN PERMISSION OF BLUE GIANT EQUIPMENT CORPORATION IS PROHIBITED.

DIMENSIONS ARE IN INCHES  
TOLERANCES:  
FRACTIONAL 1/32  
ANGULAR: MACH 5 BEND 2  
ONE PLACE DECIMAL 0.015  
TWO PLACE DECIMAL 0.010  
THREE PLACE DECIMAL 0.005

THIRD ANGLE PROJECTION 

DESCRIPTION  
**DOCK LEVELER 6' x 8'**

DWG. NO. **DL-6-8**

FDR:

REF.

APPROX. WEIGHT (lb.):

SCALE: 1:30 SIZE A

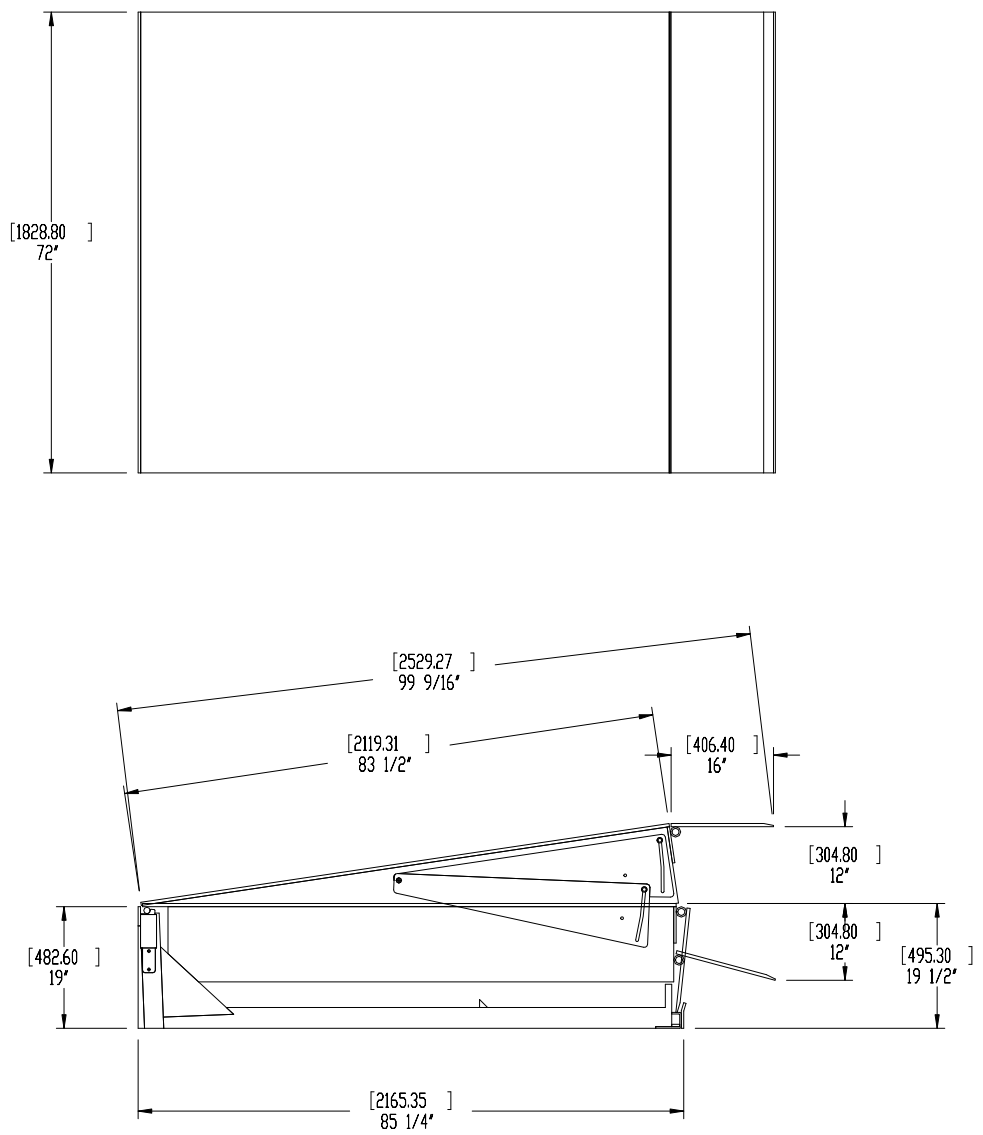
MATERIAL:

MATERIAL NO

	NAME	SIGNATURE	DATE
DRAWN			Dec 29, 2009
DESIGN			Dec 29, 2009
ENG APPR.			Dec 29, 2009
MFG APPR.			Dec 29, 2009
Q.A.			Dec 29, 2009

COATING:

FINISH:



H  
G  
F  
E  
D  
C  
B  
A

9 8 7 6 5 4 3 2 1