

PART NUMBER:  
DL-66-12

PART NUMBER:  
DL-66-12

A

JOB NUMBER:  
NA

BLUE GIANT EQUIPMENT CORP.

85 Heart Lake Road South  
Brampton, Ontario L6W 3K2  
Tel: 905-457-3900  
Fax: 905-457-5586



PROPRIETARY AND CONFIDENTIAL  
THE INFORMATION CONTAINED IN THIS DRAWING IS THE SOLE PROPERTY OF BLUE GIANT EQUIPMENT CORPORATION. ANY REPRODUCTION IN PART OR AS A WHOLE WITHOUT THE WRITTEN PERMISSION OF BLUE GIANT EQUIPMENT CORPORATION IS PROHIBITED.

DIMENSIONS ARE IN INCHES  
TOLERANCES:  
FRACTIONAL 1/32  
ANGULAR: MACH 5 BEND 2  
ONE PLACE DECIMAL 0.015  
TWO PLACE DECIMAL 0.010  
THREE PLACE DECIMAL 0.005



DESCRIPTION  
DOCK LEVELER 6'6" x 12'

DWG. NO.  
DL-66-12

FDR:  
REF.

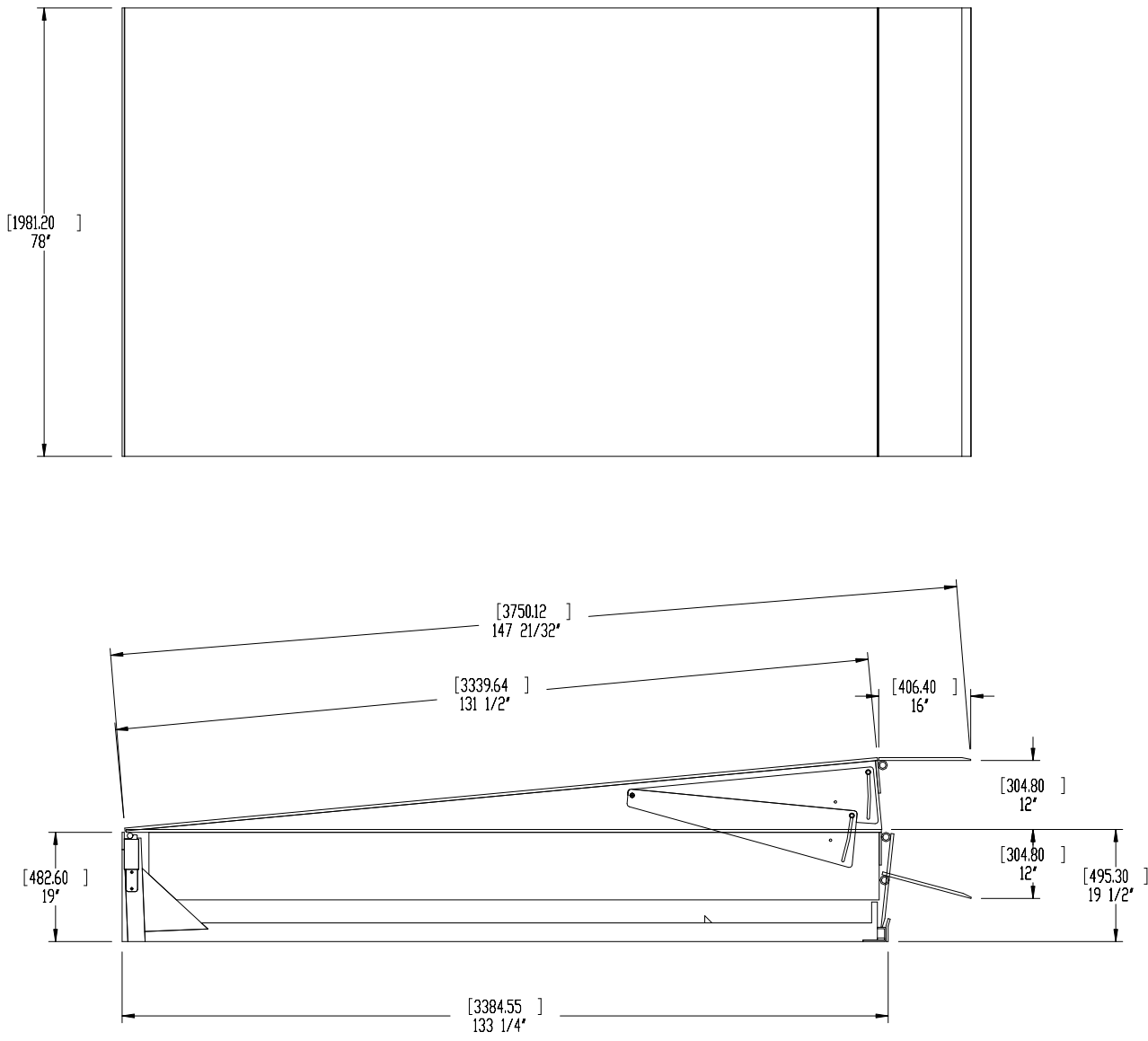
APPROX. WEIGHT (lb.):  
SCALE: 1:30 SIZE A

MATERIAL:  
MATERIAL NO

	NAME	SIGNATURE	DATE
DRAWN			Dec 29, 2009
DESIGN			Dec 29, 2009
ENG APPR.			Dec 29, 2009
MFG APPR.			Dec 29, 2009
Q.A.			Dec 29, 2009

COATING:

FINISH:



H  
G  
F  
E  
D  
C  
B  
A

9 | 8 | 7 | 6 | 5 | 4 | 3 | 2 | 1