

PART NUMBER:  
DL-66-8

PART NUMBER:  
DL-66-8

JOB NUMBER:  
NA

A

BLUE GIANT EQUIPMENT CORP.

85 Heart Lake Road South  
Brampton, Ontario L6W 3K2  
Tel: 905-457-3900  
Fax: 905-457-5586



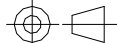
PROPRIETARY AND CONFIDENTIAL

THE INFORMATION CONTAINED IN THIS DRAWING IS THE SOLE PROPERTY OF BLUE GIANT EQUIPMENT CORPORATION. ANY REPRODUCTION IN PART OR AS A WHOLE WITHOUT THE WRITTEN PERMISSION OF BLUE GIANT EQUIPMENT CORPORATION IS PROHIBITED.

DIMENSIONS ARE IN INCHES

TOLERANCES:

FRACTIONAL	1/32
ANGULAR	MACH 5 BEND 2
ONE PLACE DECIMAL	0.015
TWO PLACE DECIMAL	0.010
THREE PLACE DECIMAL	0.005

THIRD ANGLE PROJECTION 

DESCRIPTION  
DOCK LEVELER 6'6" x 8'

DWG. NO.  
DL-66-8

FOR:

REF.

APPROX. WEIGHT (lb.):

SCALE: 1:30    SIZE A

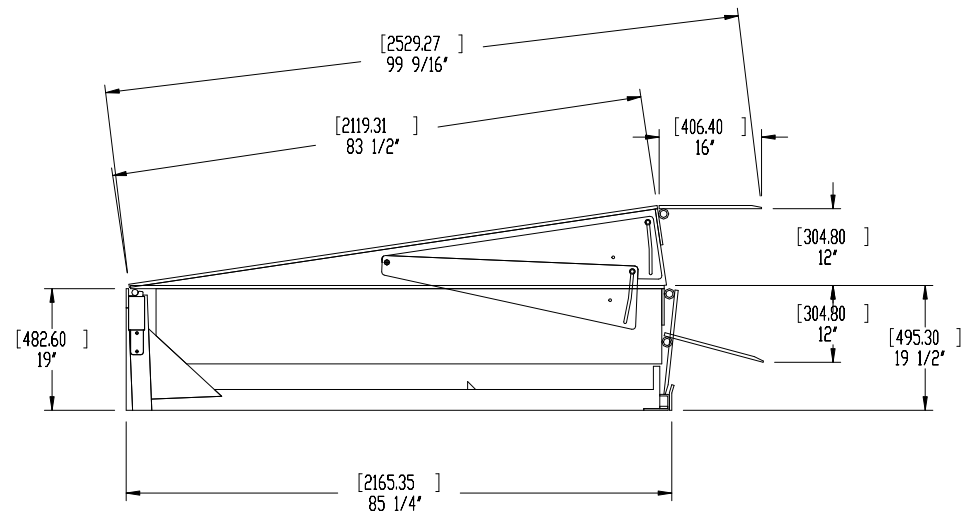
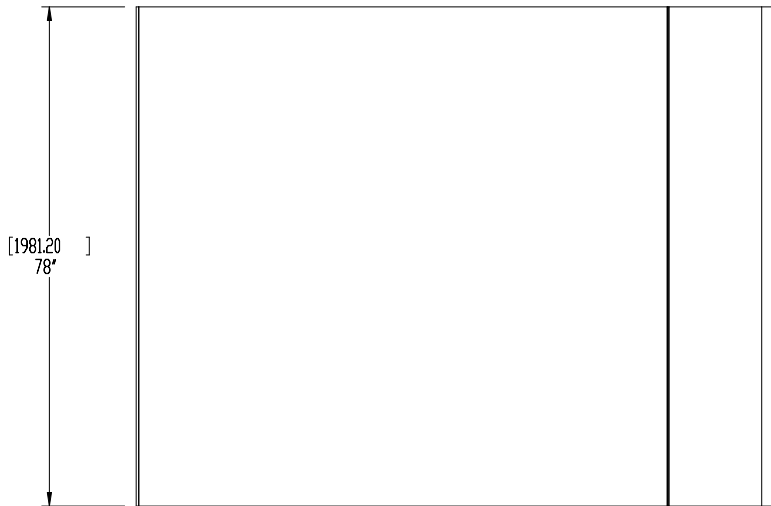
MATERIAL:

MATERIAL NO

	NAME	SIGNATURE	DATE
DRAWN			Dec 29, 2009
DESIGN			Dec 29, 2009
ENG APPR.			Dec 29, 2009
MFG APPR.			Dec 29, 2009
Q.A.			Dec 29, 2009

COATING:

FINISH:



H  
G  
F  
E  
D  
C  
B  
A