

PART NUMBER:
DL-7-10

PART NUMBER:
DL-7-10
JOB NUMBER:
NA

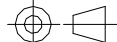
A

BLUE GIANT EQUIPMENT CORP.
85 Heart Lake Road South
Brampton, Ontario L6W 3K2
Tel: 905-457-3900
Fax: 905-457-5586



PROPRIETARY AND CONFIDENTIAL
THE INFORMATION CONTAINED IN THIS DRAWING IS THE SOLE PROPERTY OF BLUE GIANT EQUIPMENT CORPORATION. ANY REPRODUCTION IN PART OR AS A WHOLE WITHOUT THE WRITTEN PERMISSION OF BLUE GIANT EQUIPMENT CORPORATION IS PROHIBITED.

DIMENSIONS ARE IN INCHES
TOLERANCES:
FRACTIONAL 1/32
ANGULAR: MACH 5 BEND 2
ONE PLACE DECIMAL 0.015
TWO PLACE DECIMAL 0.010
THREE PLACE DECIMAL 0.005

THIRD ANGLE PROJECTION 

DESCRIPTION
DOCK LEVELER 7' x 10'

DWG. NO.
DL-7-10

FOR:

REF.

APPROX. WEIGHT (lb.):
SCALE: 1:30 SIZE A

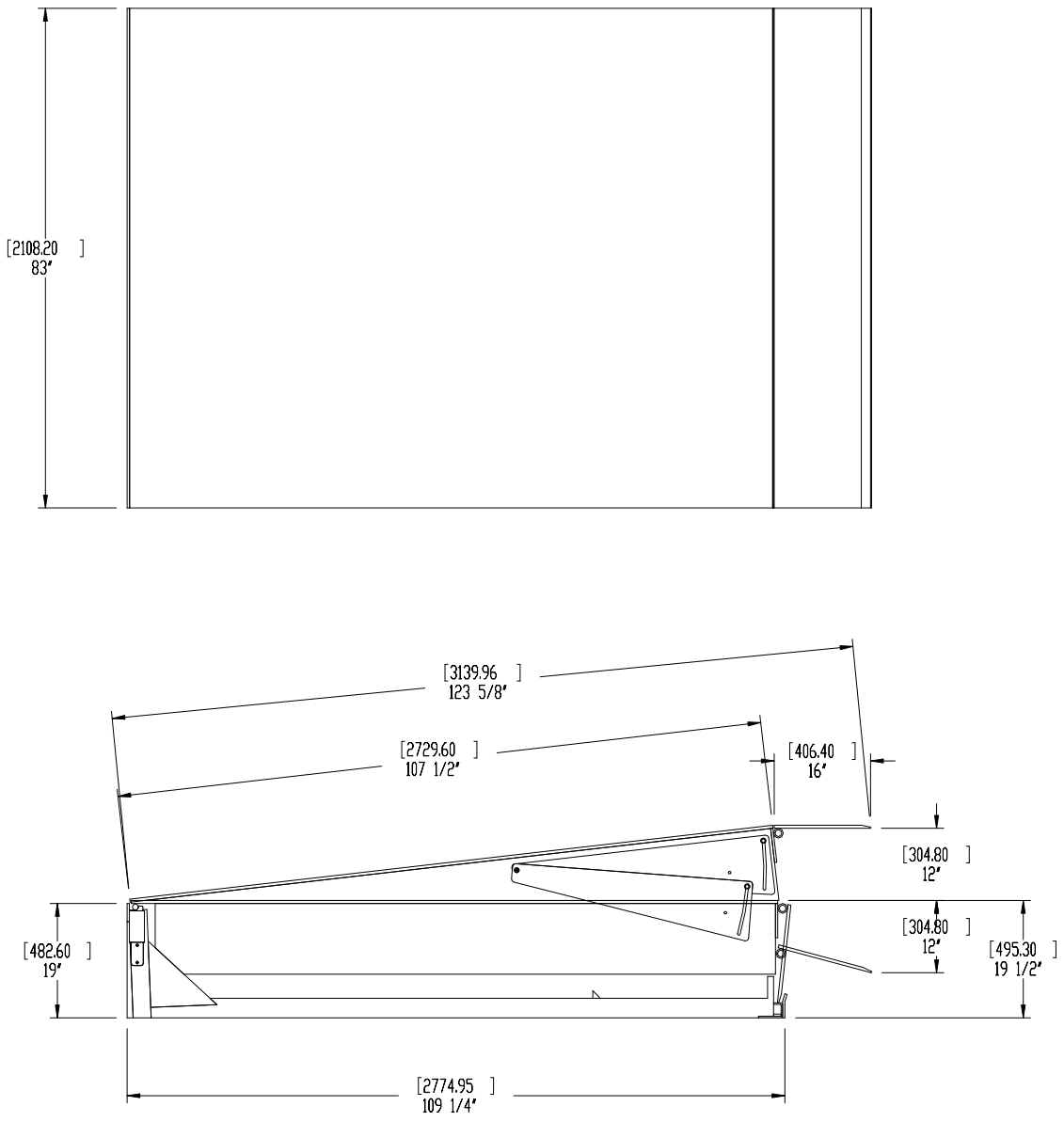
MATERIAL:

MATERIAL NO

	NAME	SIGNATURE	DATE
DRAWN			Dec 29, 2009
DESIGN			Dec 29, 2009
ENG APPR.			Dec 29, 2009
MFG APPR.			Dec 29, 2009
Q.A.			Dec 29, 2009

COATING:

FINISH:



H
G
F
E
D
C
B
A

9 8 7 6 5 4 3 2 1