

PART NUMBER:
ML10

PART NUMBER:
ML10

JOB NUMBER:
NA

A

BLUE GIANT EQUIPMENT CORP.

85 Heart Lake Road South
Brampton, Ontario, L6W 3K2
Tel: 905-457-3900
Fax: 905-457-5586



PROPRIETARY AND CONFIDENTIAL

THE INFORMATION CONTAINED IN THIS DRAWING IS THE SOLE PROPERTY OF BLUE GIANT EQUIPMENT CORPORATION. ANY REPRODUCTION IN PART OR AS A WHOLE WITHOUT THE WRITTEN PERMISSION OF BLUE GIANT EQUIPMENT CORPORATION IS PROHIBITED.

DIMENSIONS ARE IN INCHES

TOLERANCES:

FRACTIONAL	1/32
ANGULAR	MACH .5 BEND 2
ONE PLACE DECIMAL	0.015
TWO PLACE DECIMAL	0.010
THREE PLACE DECIMAL	0.005

THIRD ANGLE PROJECTION

DESCRIPTION
ML10 - MANUAL TRUCK LATCH

DWG. NO.
ML10

FOR:

REF.

APPROX. WEIGHT (lb.): **140,287**

SCALE: **1:12** SIZE **A**

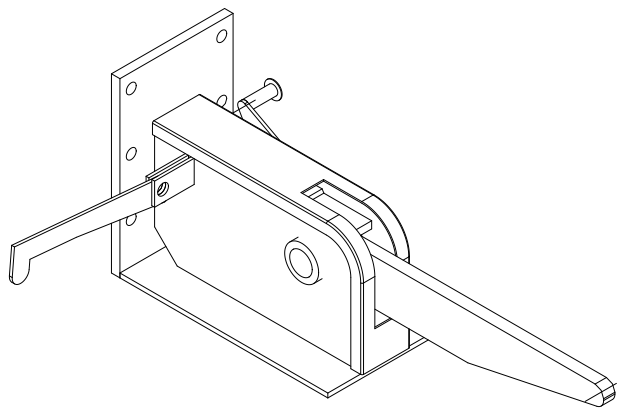
MATERIAL
ASTM A36 Steel

MATERIAL NO

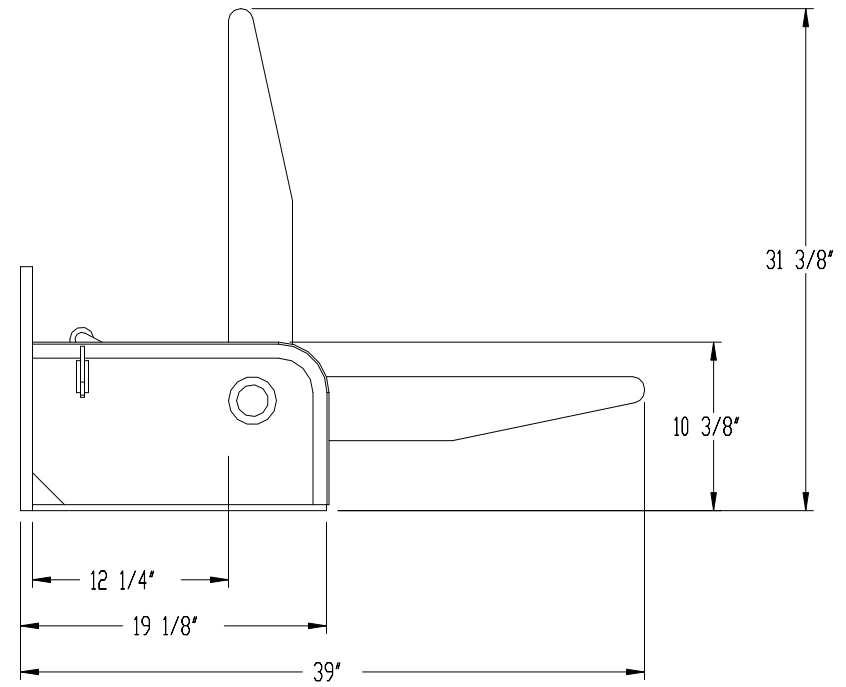
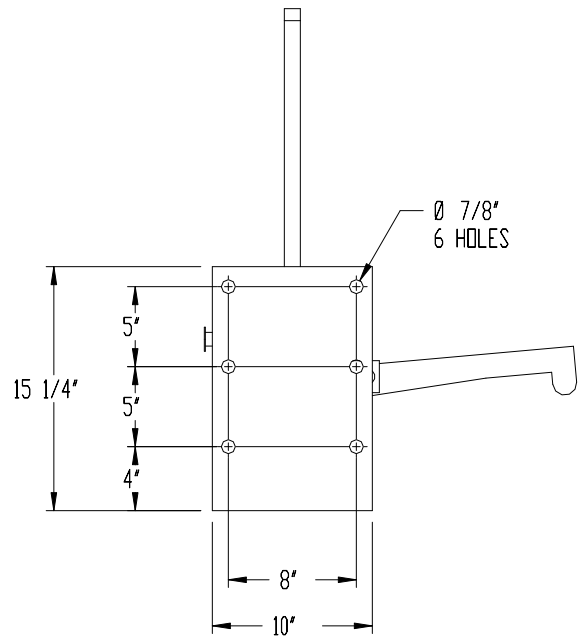
	NAME	SIGNATURE	DATE
DRAWN			Nov 04, 2009
DESIGN			Nov 04, 2009
ENG APPR.			Nov 04, 2009
MFG APPR.			Nov 04, 2009
Q.A.			Nov 04, 2009

COATING:

FINISH:



AFTER APPROVAL PLEASE
RETURN THIS DRAWING TO:
BLUE GIANT EQUIP. CORP.



H
G
F
E
D
C
B
A

9 8 7 6 5 4 3 2 1