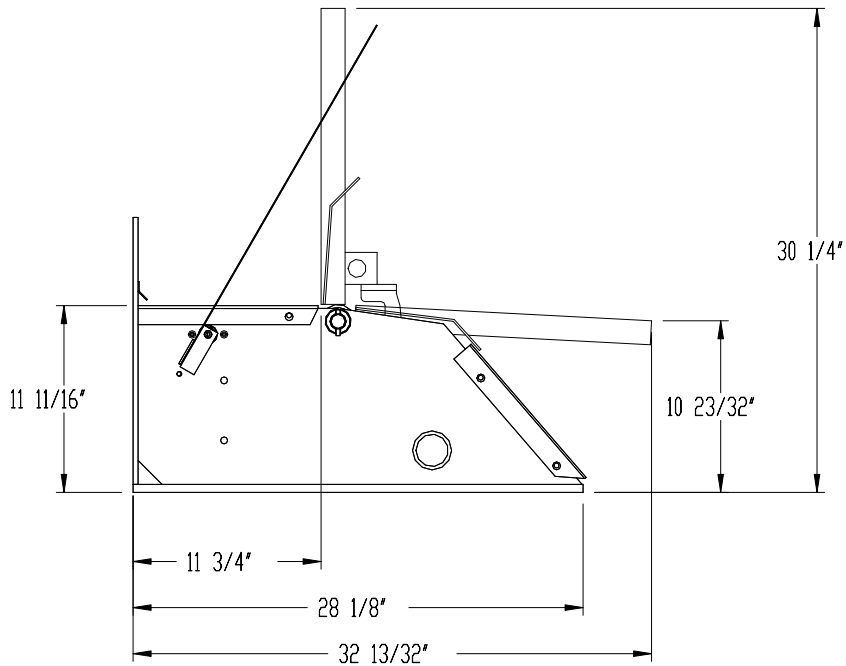
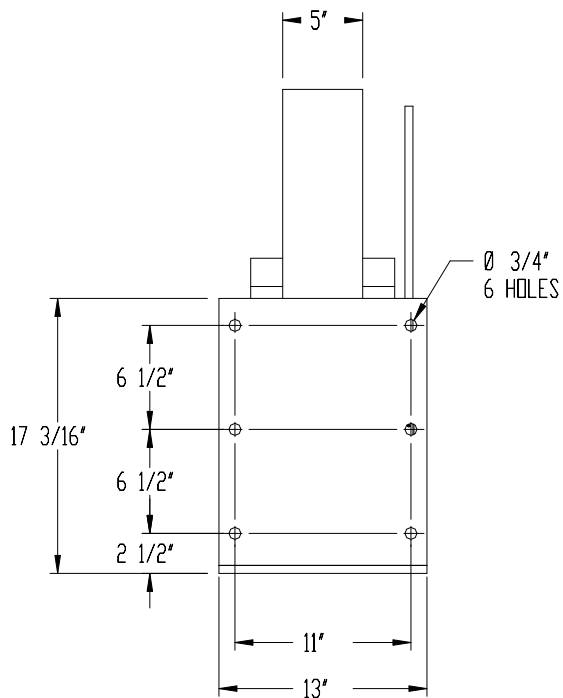
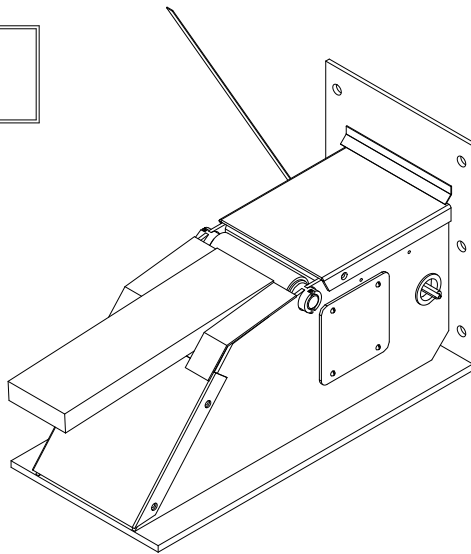
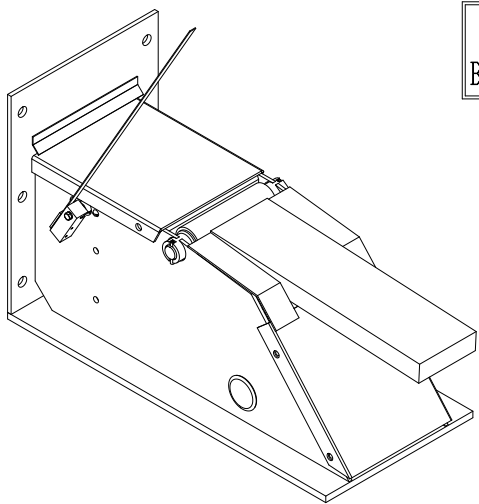


PART NUMBER:
TL85A

AFTER APPROVAL PLEASE
RETURN THIS DRAWING TO:
BLUE GIANT EQUIP. CORP.



PART NUMBER:
TL85A

A

JOB NUMBER:
NA

BLUE GIANT EQUIPMENT CORP.
85 Heart Lake Road South
Brampton, Ontario L6W 3K2
Tel: 905-457-3900
Fax: 905-457-5586



PROPRIETARY AND CONFIDENTIAL
THE INFORMATION CONTAINED IN THIS
DRAWING IS THE SOLE PROPERTY OF
BLUE GIANT EQUIPMENT CORPORATION.
ANY REPRODUCTION IN PART OR AS A
WHOLE WITHOUT THE WRITTEN PERMISSION
OF BLUE GIANT EQUIPMENT CORPORATION
IS PROHIBITED.

DIMENSIONS ARE IN INCHES
TOLERANCES:
FRACTIONAL 1/32
ANGULAR: MACH 5 BEND 2
ONE PLACE DECIMAL 0.015
TWO PLACE DECIMAL 0.010
THREE PLACE DECIMAL 0.005

THIRD ANGLE
PROJECTION

DESCRIPTION
TL85A

DWG. NO.
TL85A

FOR:

REF.

APPROX.
WEIGHT (lb.):

SCALE: 1:12 SIZE A

MATERIAL:

MATERIAL NO:

| | NAME | SIGNATURE | DATE |
|-----------|------|-----------|--------------|
| DRAWN | | | Jul 08, 2009 |
| DESIGN | | | Jul 08, 2009 |
| ENG APPR. | | | Jul 08, 2009 |
| MFG APPR. | | | Jul 08, 2009 |
| Q.A. | | | Jul 08, 2009 |

COATING:

FINISH: