

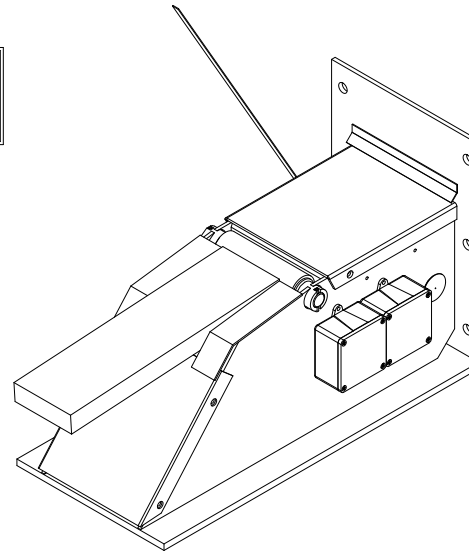
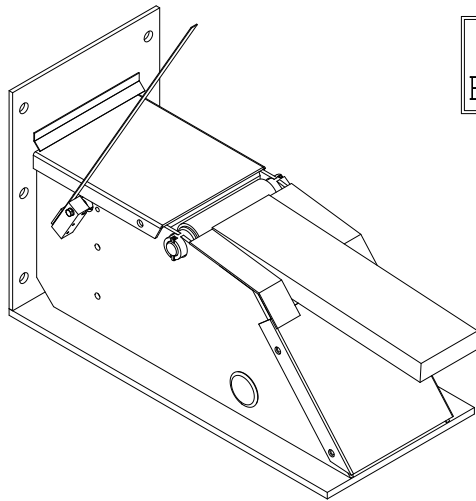
PART NUMBER:  
**TL85**

PART NUMBER:  
**TL85**

JOB NUMBER:  
NA

A

AFTER APPROVAL PLEASE  
RETURN THIS DRAWING TO:  
BLUE GIANT EQUIP. CORP.



BLUE GIANT EQUIPMENT CORP.

85 Heart Lake Road South  
Brampton, Ontario L6W 3K2  
Tel: 905-457-3900  
Fax: 905-457-5586



**PROPRIETARY AND CONFIDENTIAL**

THE INFORMATION CONTAINED IN THIS DRAWING IS THE SOLE PROPERTY OF BLUE GIANT EQUIPMENT CORPORATION. ANY REPRODUCTION IN PART OR AS A WHOLE WITHOUT THE WRITTEN PERMISSION OF BLUE GIANT EQUIPMENT CORPORATION IS PROHIBITED.

DIMENSIONS ARE IN INCHES

TOLERANCES:

FRACTIONAL 1/32

ANGULAR MACH 5 BEND 2

ONE PLACE DECIMAL 0.015

TWO PLACE DECIMAL 0.010

THREE PLACE DECIMAL 0.005

THIRD ANGLE PROJECTION

DESCRIPTION

TL85

DWG. NO.

TL85

FOR:

REF.

APPROX. WEIGHT (lb.): 158.18

SCALE: 1:12 SIZE A

MATERIAL

MATERIAL NO

	NAME	SIGNATURE	DATE
DRAWN			Jul 08, 2009
DESIGN			Jul 08, 2009
ENG APPR.			Jul 08, 2009
MFG APPR.			Jul 08, 2009
Q.A.			Jul 08, 2009

COATING:

FINISH:

