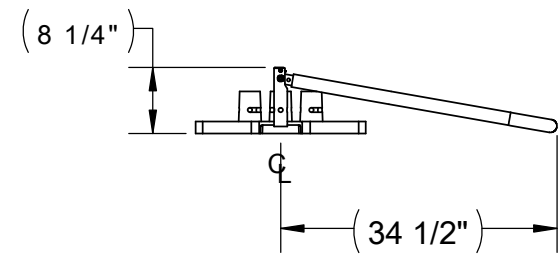
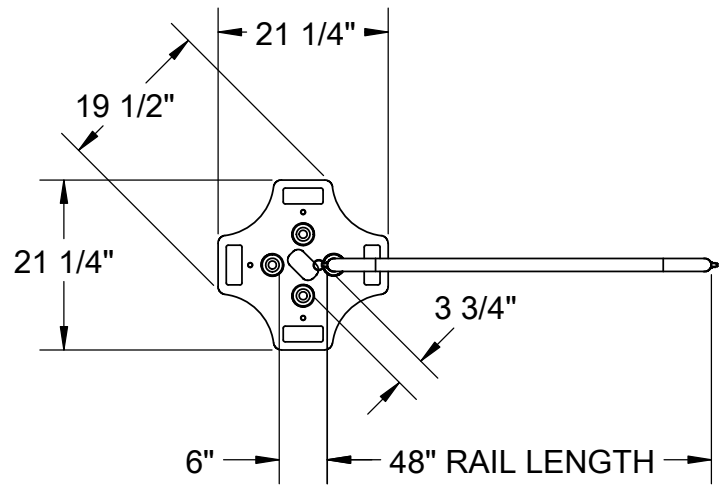


8 7 6 5 4 3 2 1

D

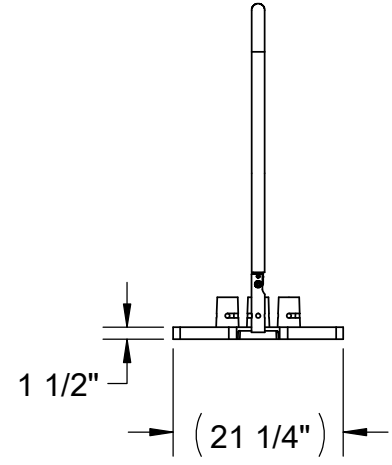
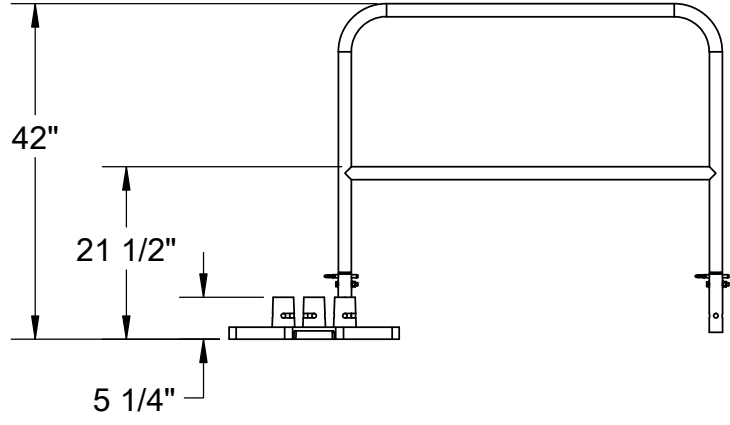
D



**END VIEW
RAIL IN DOWN POSITION**

C

C



B

B

A

A

8 7 6 5 4 3 2 1

 **Safety Products Group™**
by Tractel®

 **BlueWater**

**4064 PEAVEY ROAD
CHASKA, MN 55318**

Tel : 952-448-2935
Toll Free : 866-933-2935
Fax : 952-448-3685
info@bluewater-mfg.com
www.safetypg.com

DESCRIPTION		
4' STEALTH RAIL KIT		
SIZE A	DWG. NO. 500261	REV. A
SCALE: DO NOT SCALE		SHEET 1 OF 1