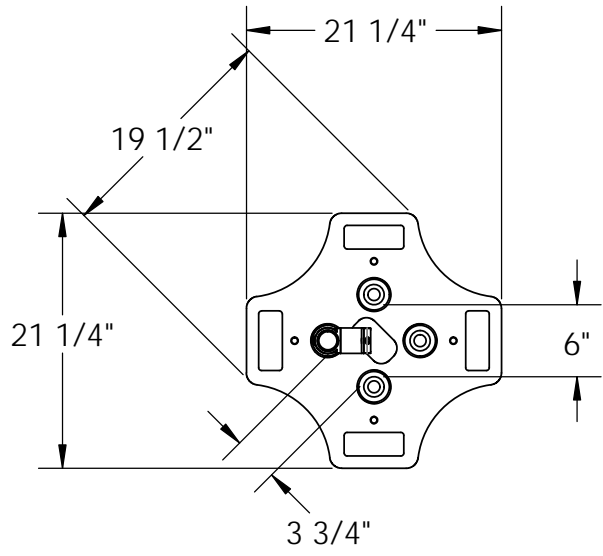


8 7 6 5 4 3 2 1

D

D



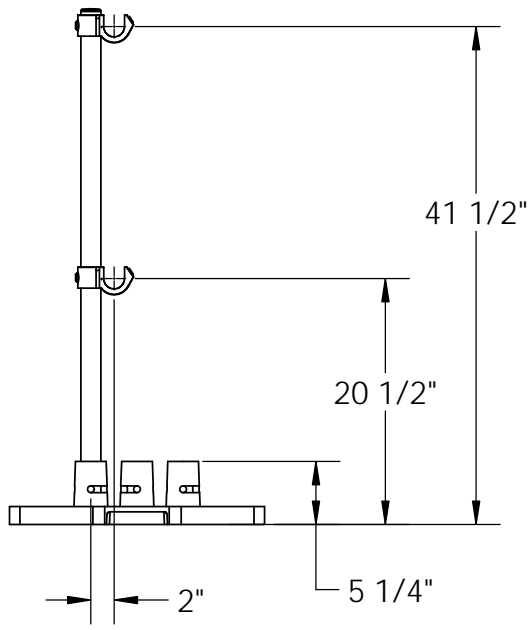
C

C

PLASTIC CAP IN TOP  
 \* 2 ADDITIONAL CAPS  
 PROVIDED FOR MID &  
 TOP RAILS

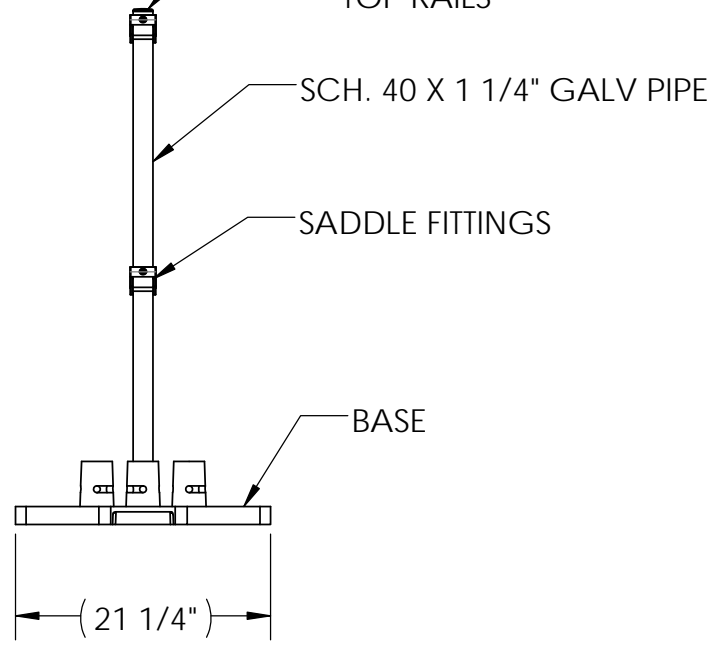
B

B



B

B



A

A

**Safety Products Group™**  
 by Tractel®

**BlueWater**

4064 PEAVEY ROAD  
 CHASKA, MN 55318

Tel : 952-448-2935  
 Toll Free : 866-933-2935  
 Fax : 952-448-3685  
 info@bluewater-mfg.com  
 www.safetypg.com

DESCRIPTION		
ARCH. SERIES START END KIT, STRAIGHT		
SIZE A	DWG. NO. 502012	REV. A
SCALE: DO NOT SCALE		SHEET 1 OF 1

8 7 6 5 4 3 2 1