

8

7

6

5

4

3

DWG No. BD111-0012

SH 1 REV A

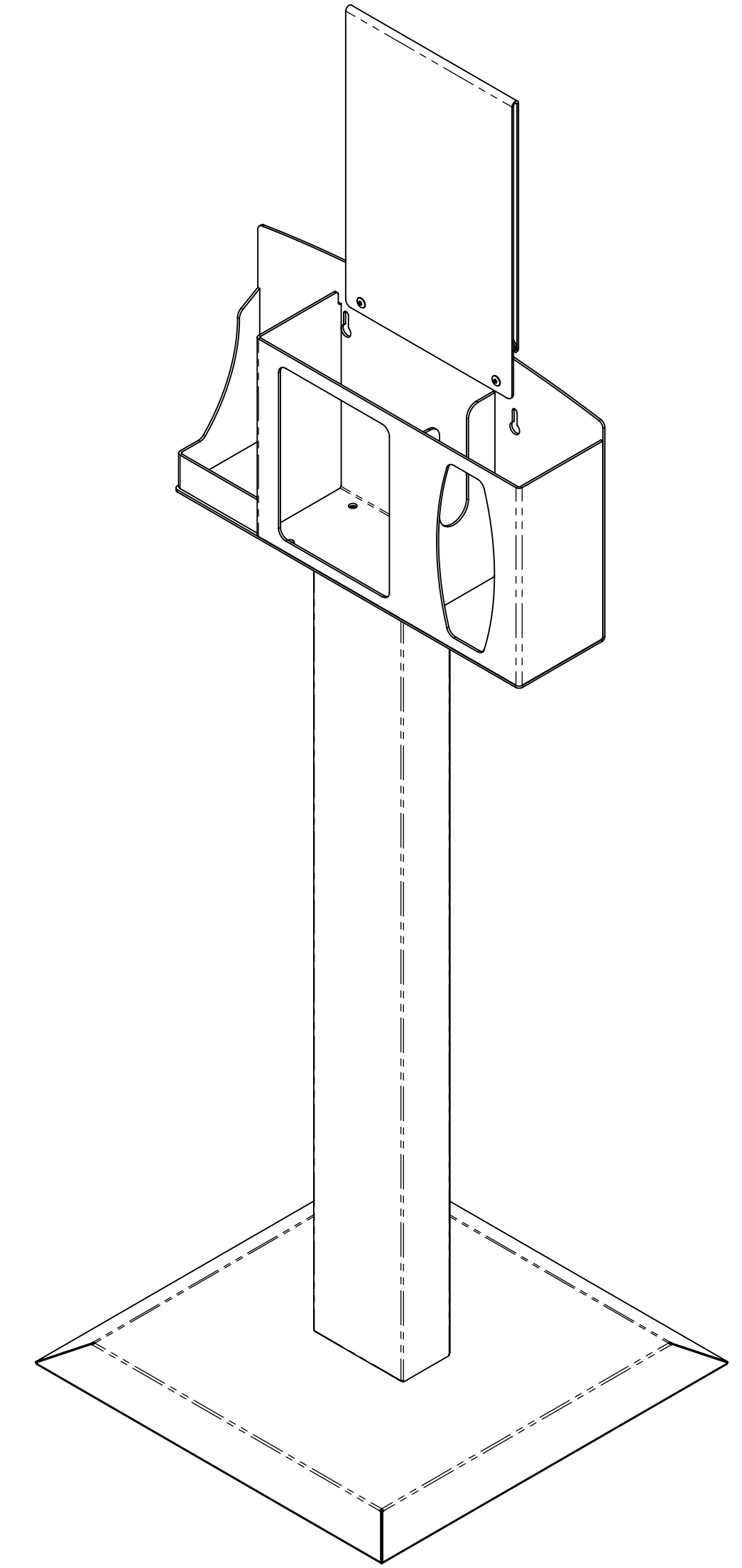
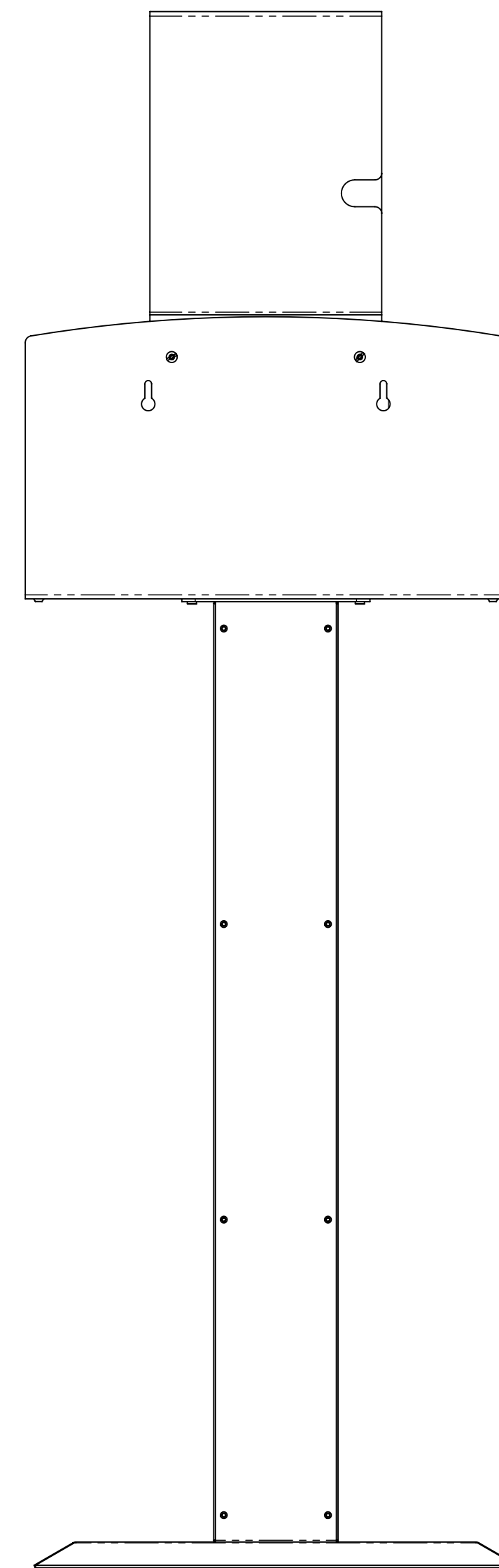
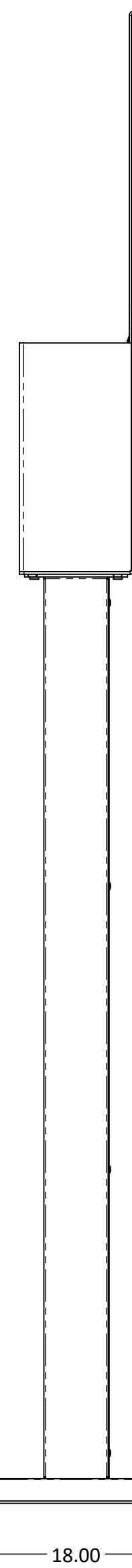
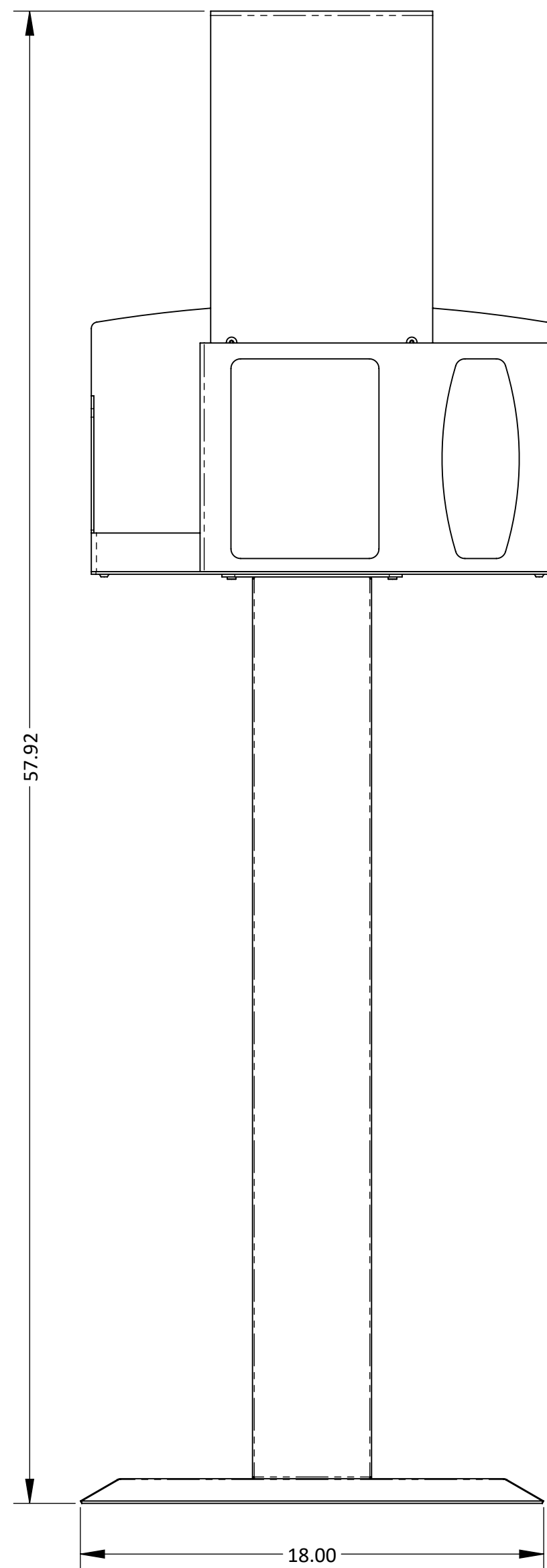
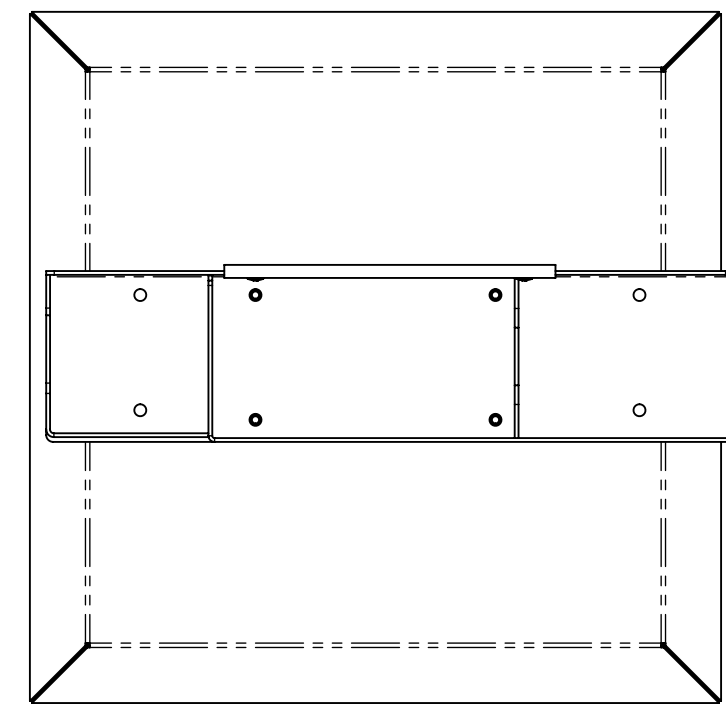
1

D

C

B

A



D

C

B

A

8

7

6

5

4

3

2

1

MATERIAL:  
ABS Plastic/Steel/PETG  
Plastic

FINISH:  
Quartz Beige/Quartz  
Beige Powder-  
Coated/Clear

**BOWMAN**  
Dispensers

PART NO.:  
**BD111-0012**

TITLE:  
**COVER YOUR COUGH COMPLIANCE KIT**

BOWMAN Dispensers  
20325 71st Ave NE, Ste D  
Arlington, WA 98223

SIZE D	TOLERANCE .XX = ± .03 _XXX = ± .010 ANGULAR = ± 1°
SCALE 1:5	REV A
SHEET 1 of 1	

FILE: BD111-0012\_ARCAT\_SLIDRW