

8

7

6

5

4

3

DWG No. BD211-0012

SH 1 REV A

1

D

C

B

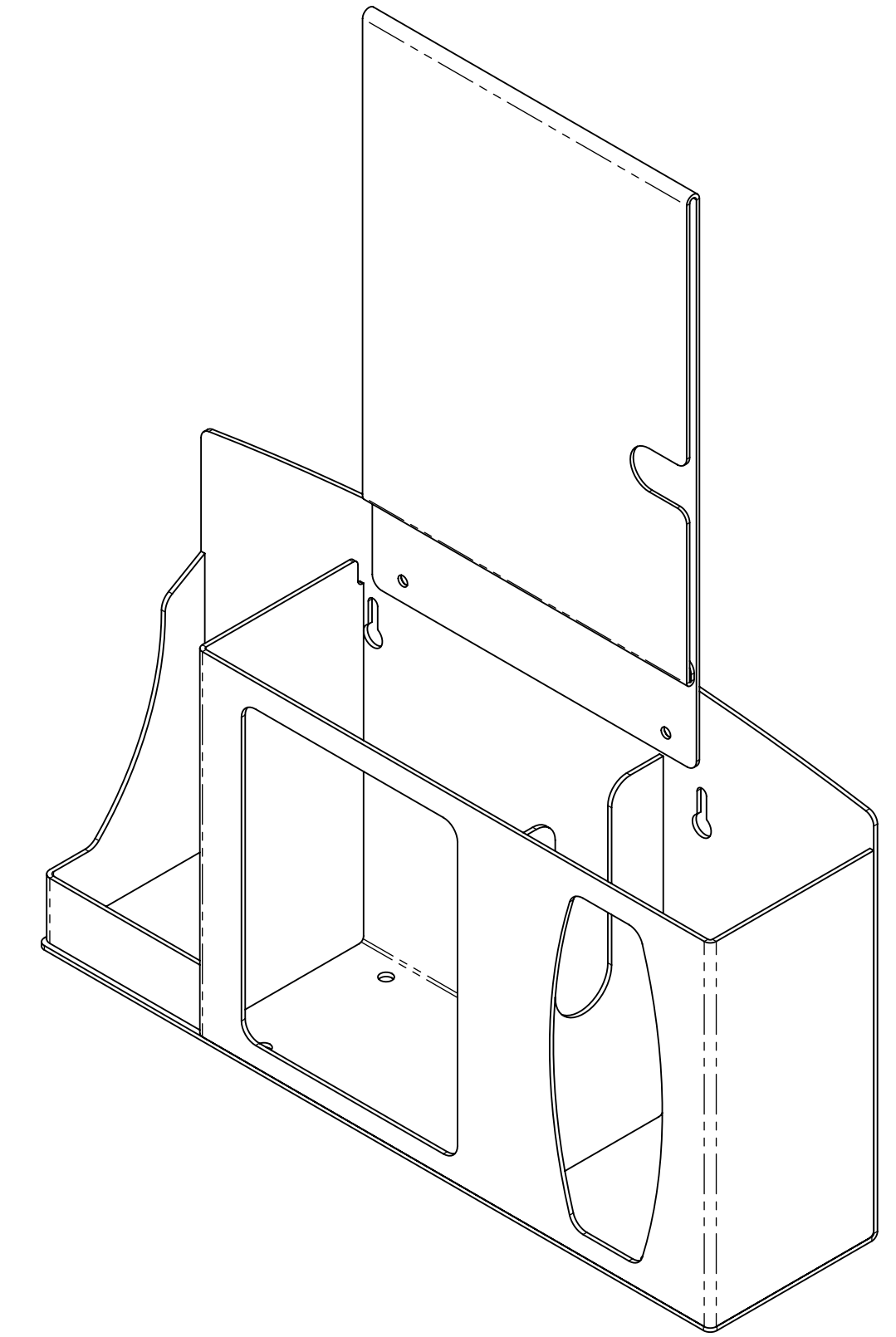
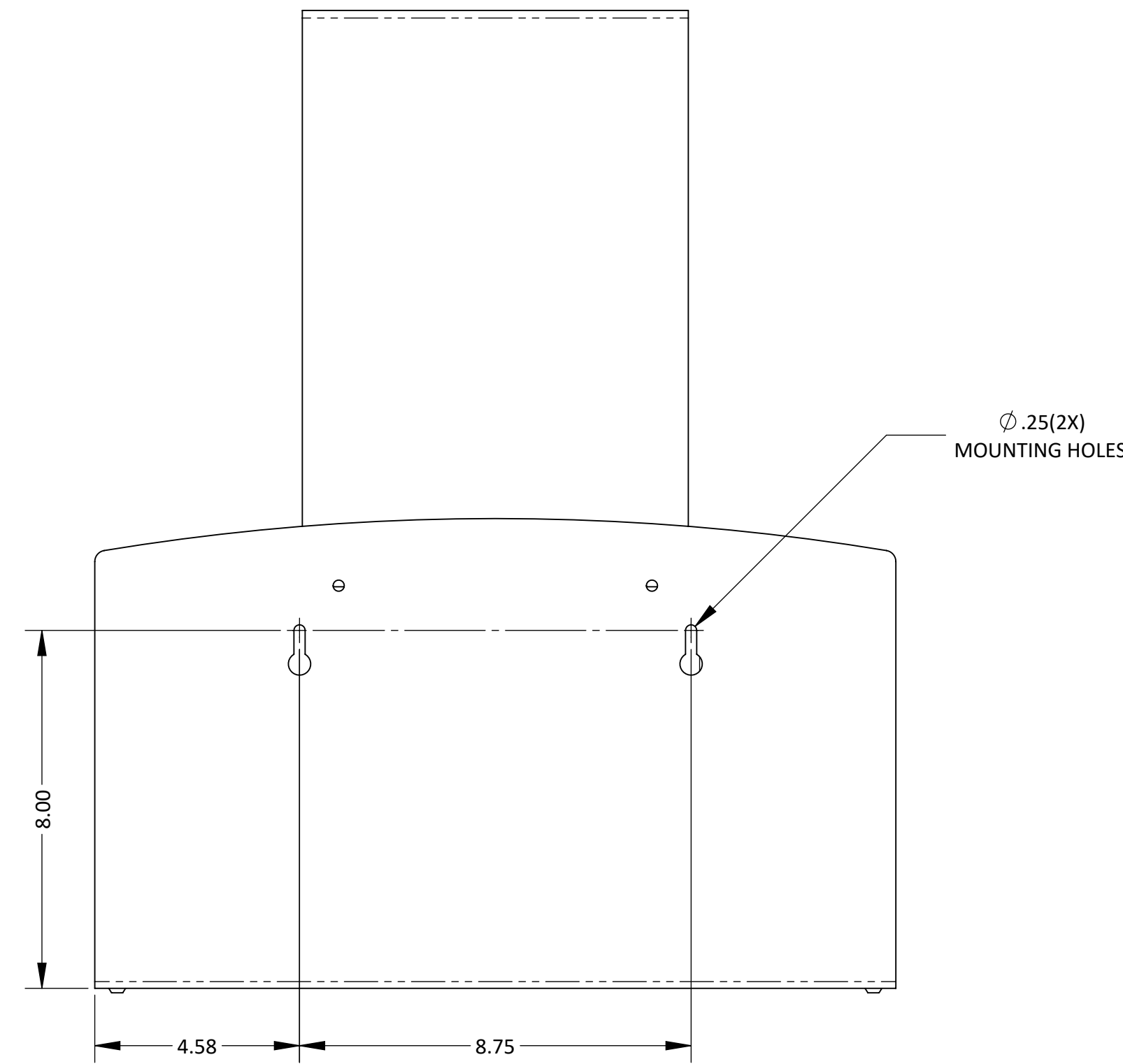
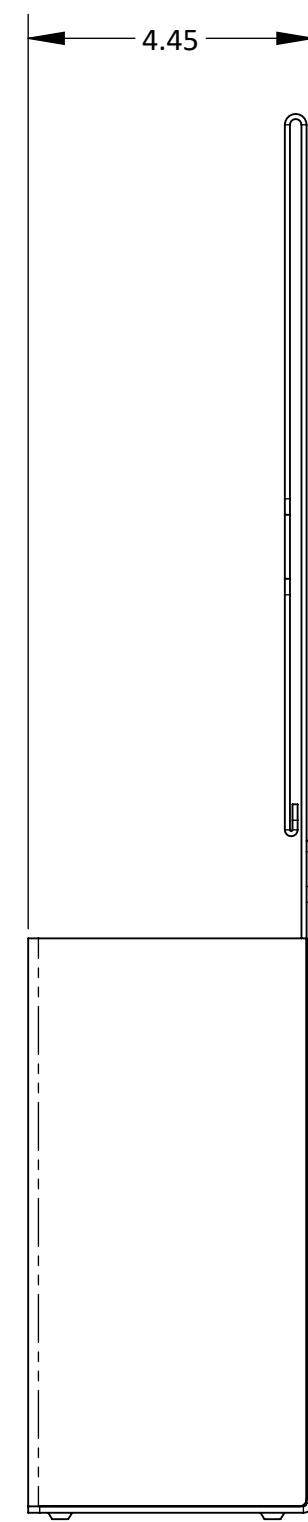
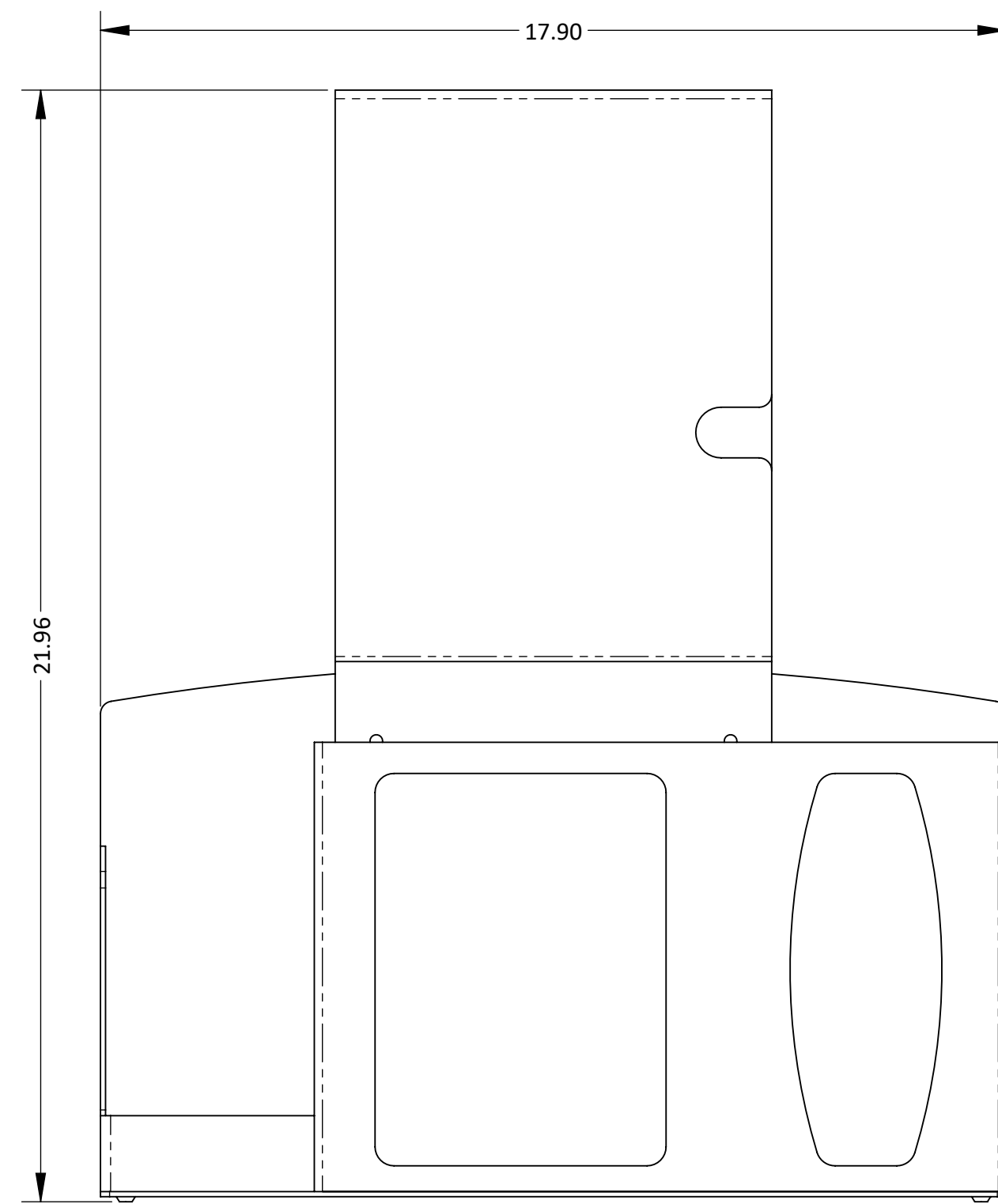
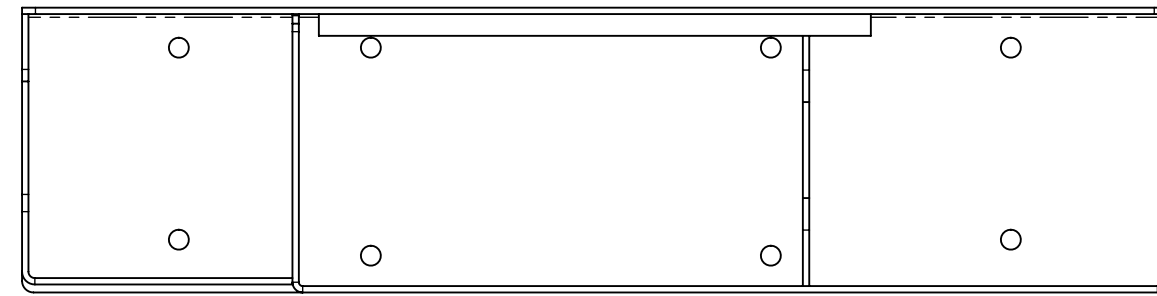
A


D

C

B

A



MATERIAL: ABS Plastic/PETG Plastic	PART NO.: <b>BD211-0012</b>	SIZE D	TOLERANCE .XX = ± .03 .XXX = ± .010 ANGULAR = ± 1°
FINISH: Quartz Beige/Clear	TITLE: COVER YOUR COUGH COMPLIANCE KIT	SCALE 1:3	REV A
<b>BOWMAN</b>  Dispensers		BOWMAN Dispensers 20325 71st Ave NE, Ste D Arlington, WA 98223	
		SHEET 1 of 1	

FILE NAME: BD211-0012\_ARCAT\_SLIDRW