

8

7

6

5

4

3

DWG No. BD601-0012

SH 1 REV A

1

D

D

C

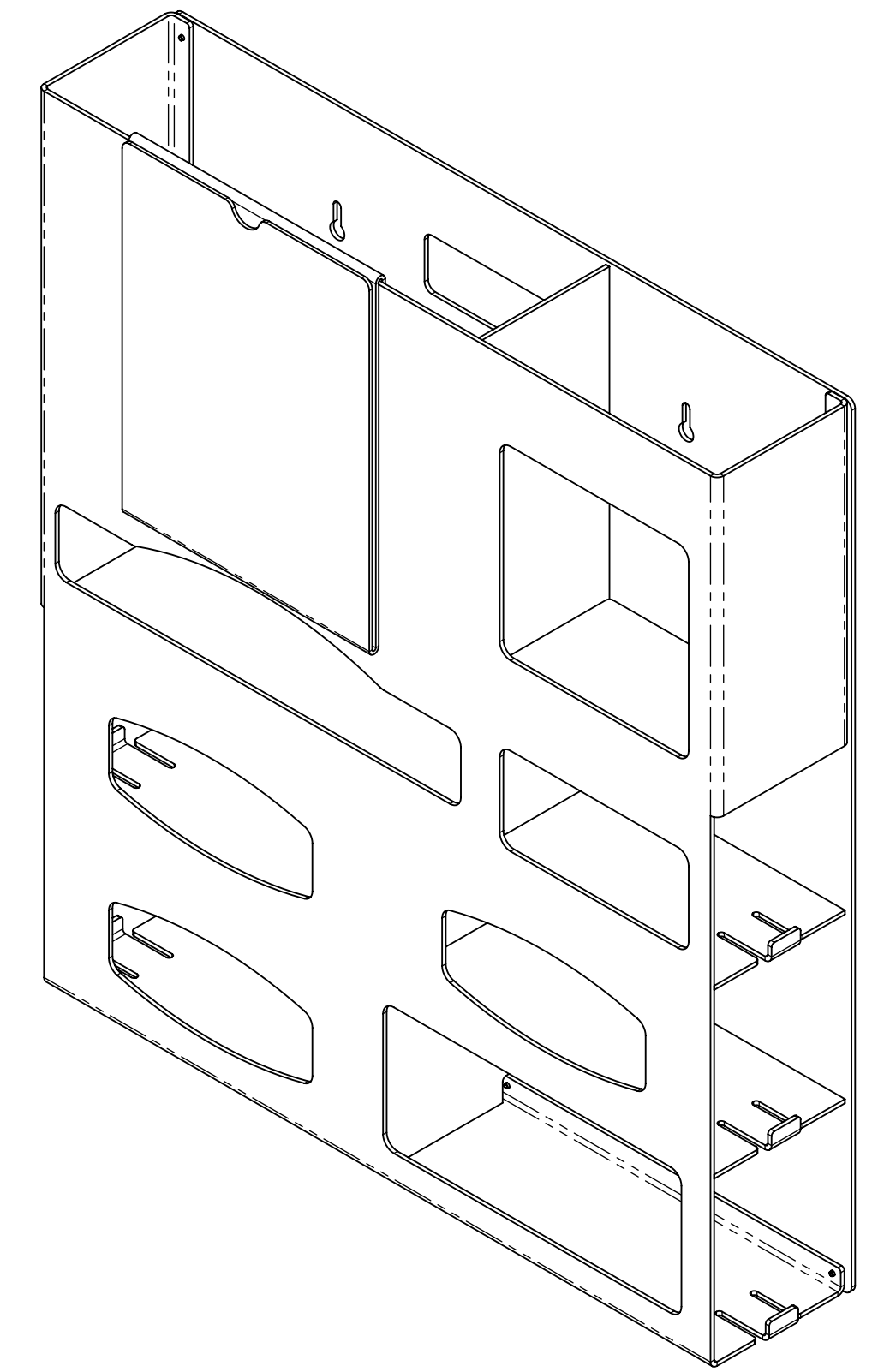
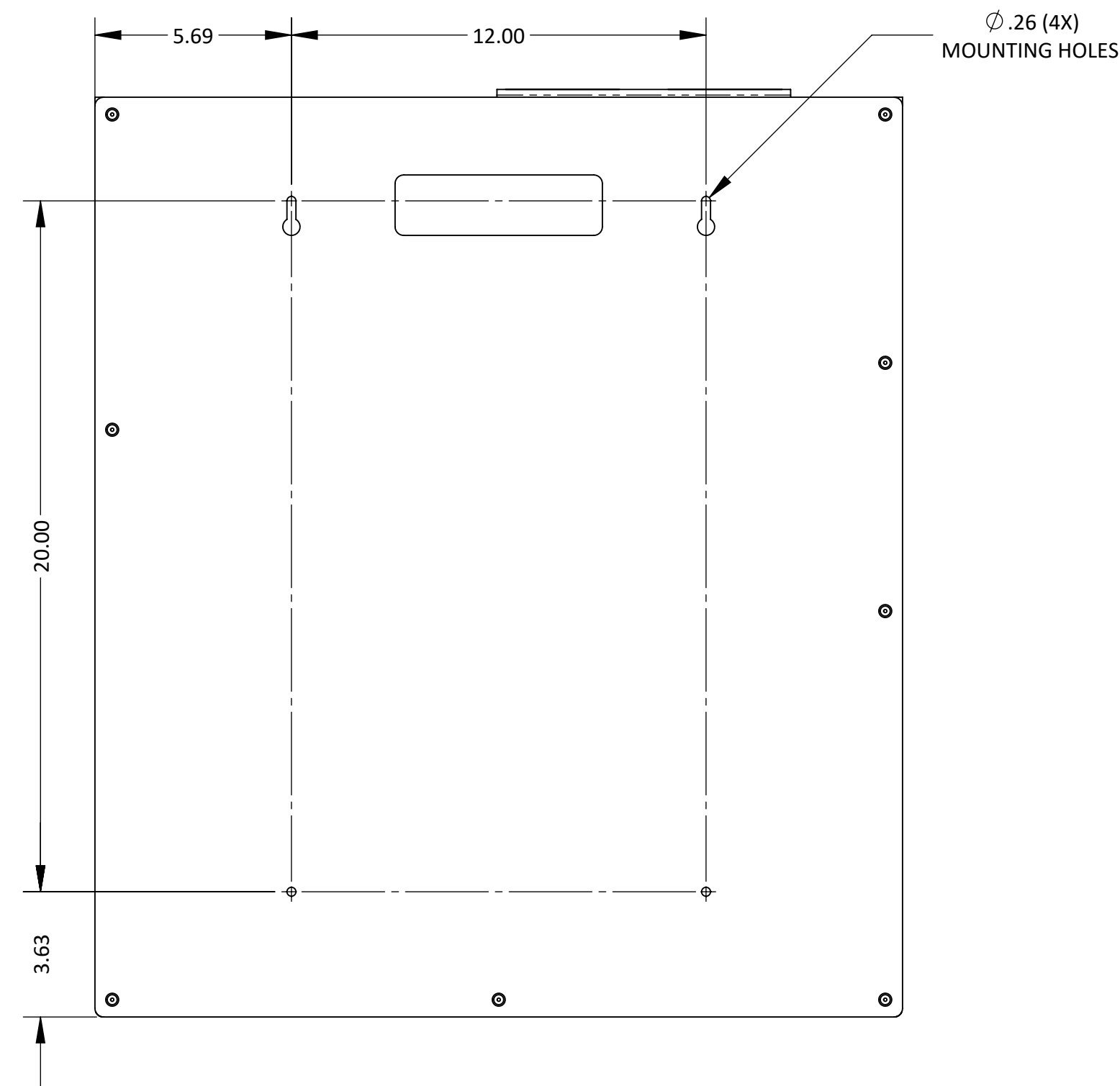
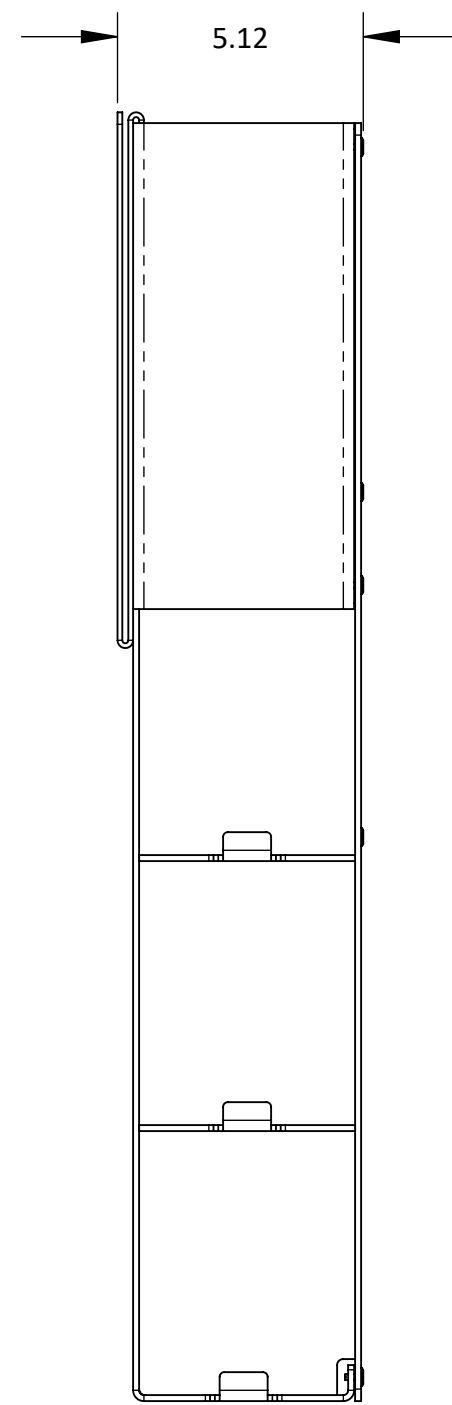
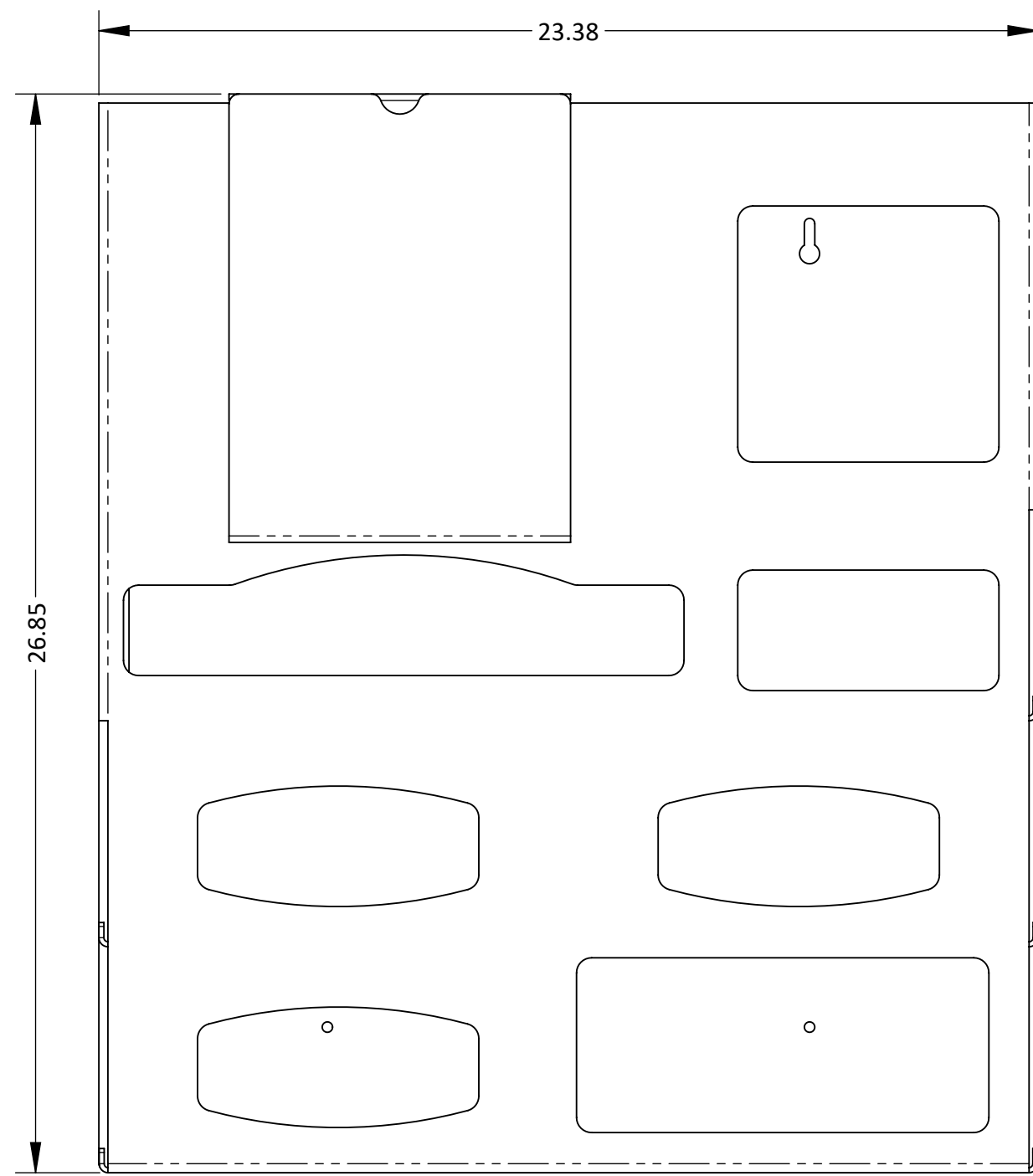
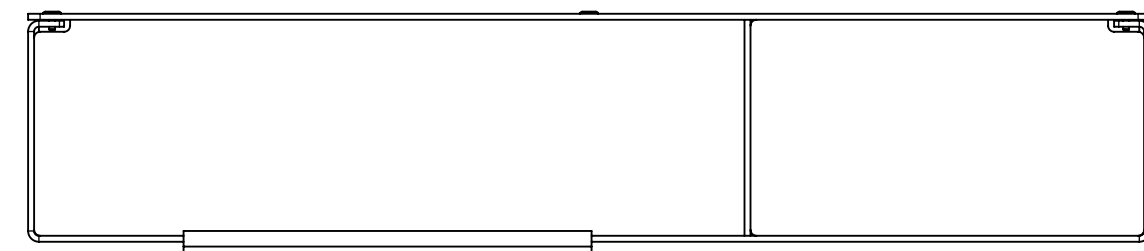
C

B

B

A

A



MATERIAL:
ABS Plastic/PETG
Plastic

FINISH:
Quartz Beige/Clear

BOWMAN
Dispensers

PART NO.:
BD601-0012

TITLE:
PROTECTION SYSTEM ISOLATION KIT

BOWMAN Dispensers
20325 71st Ave NE, Ste D
Arlington, WA 98223

SIZE D	TOLERANCE .XX = ± .03 .XXX = ± .010 ANGULAR = ± 1°
SCALE 1:4	REV A
SHEET 1 OF 1	

FILE NAME: BD601-0012_ARCAT.SLDDRW