

D

C

B

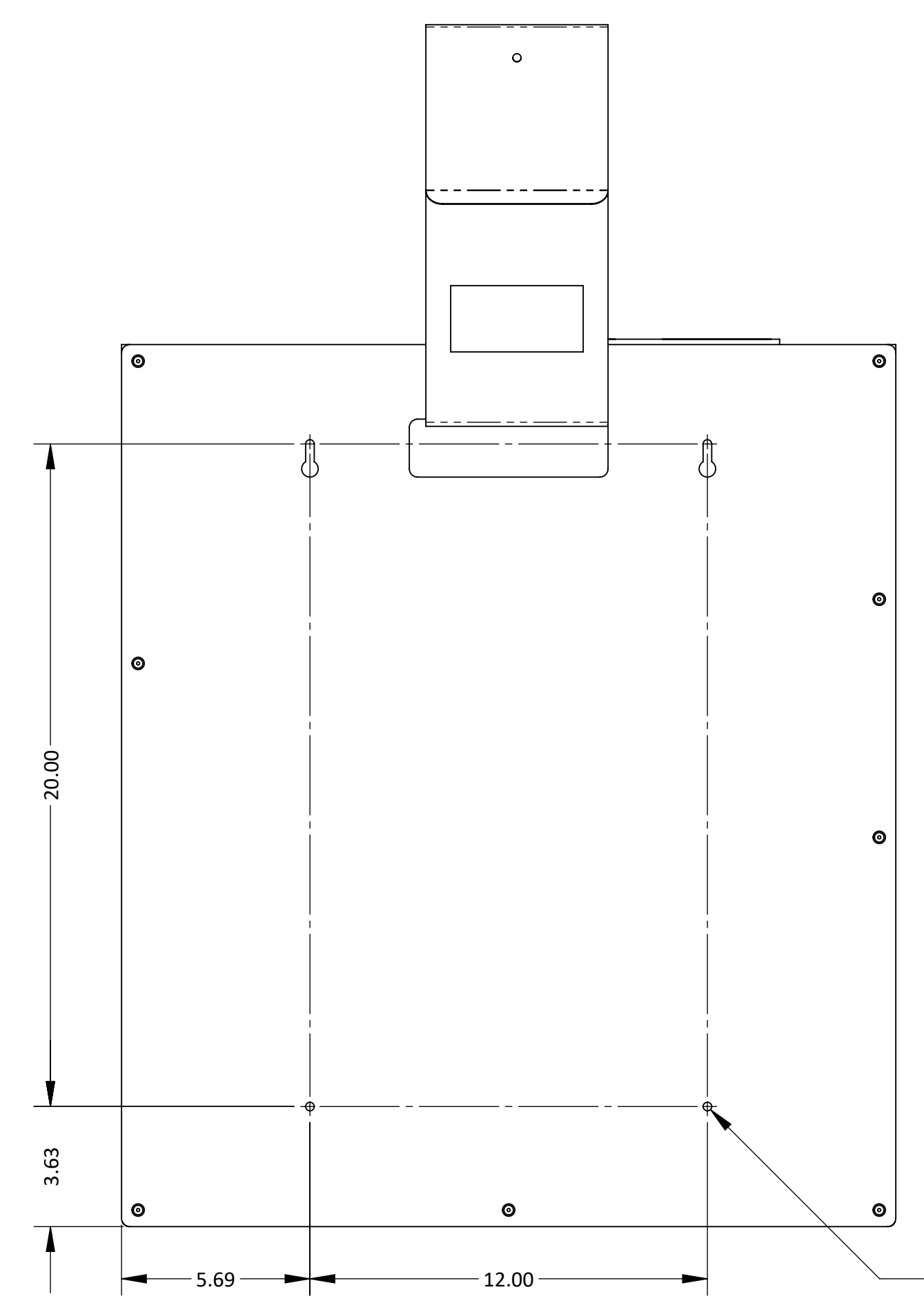
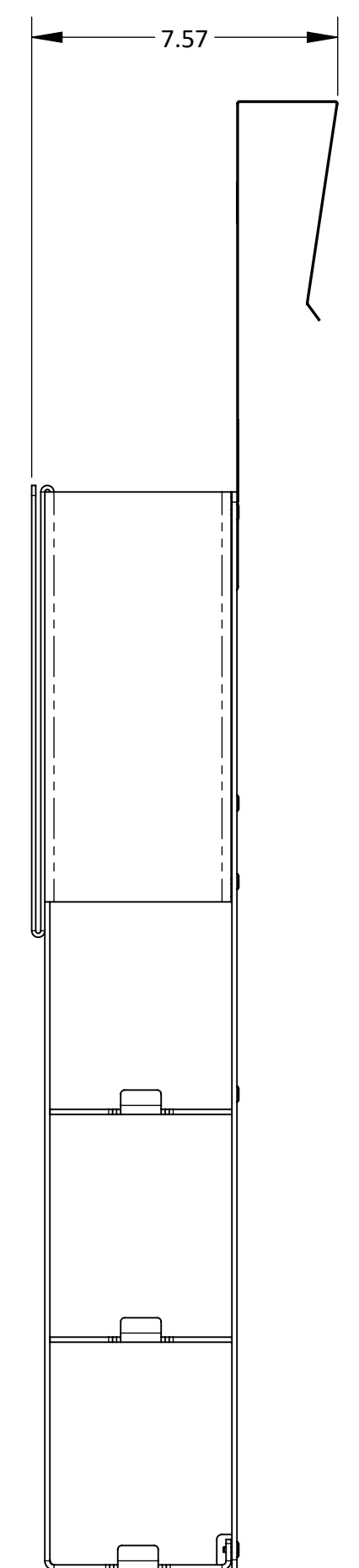
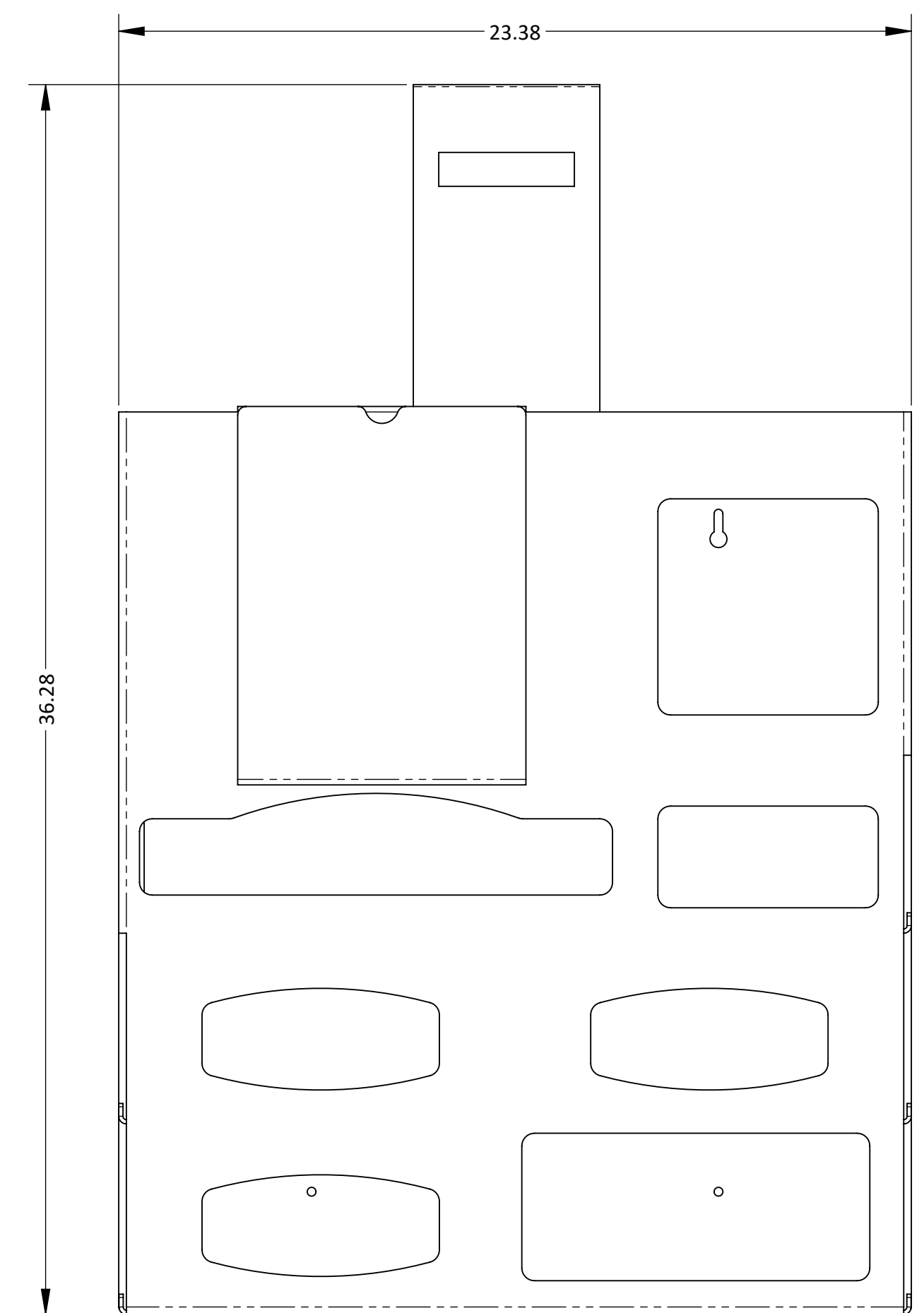
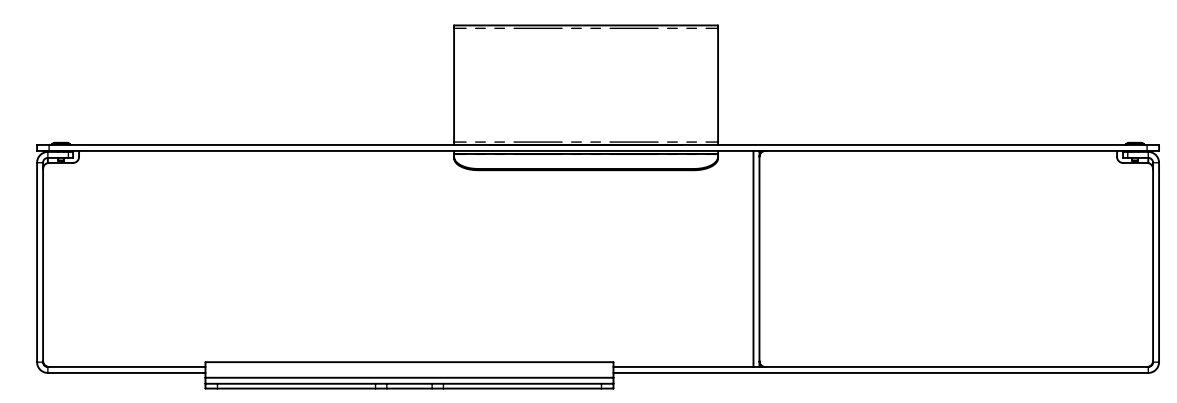
A

D

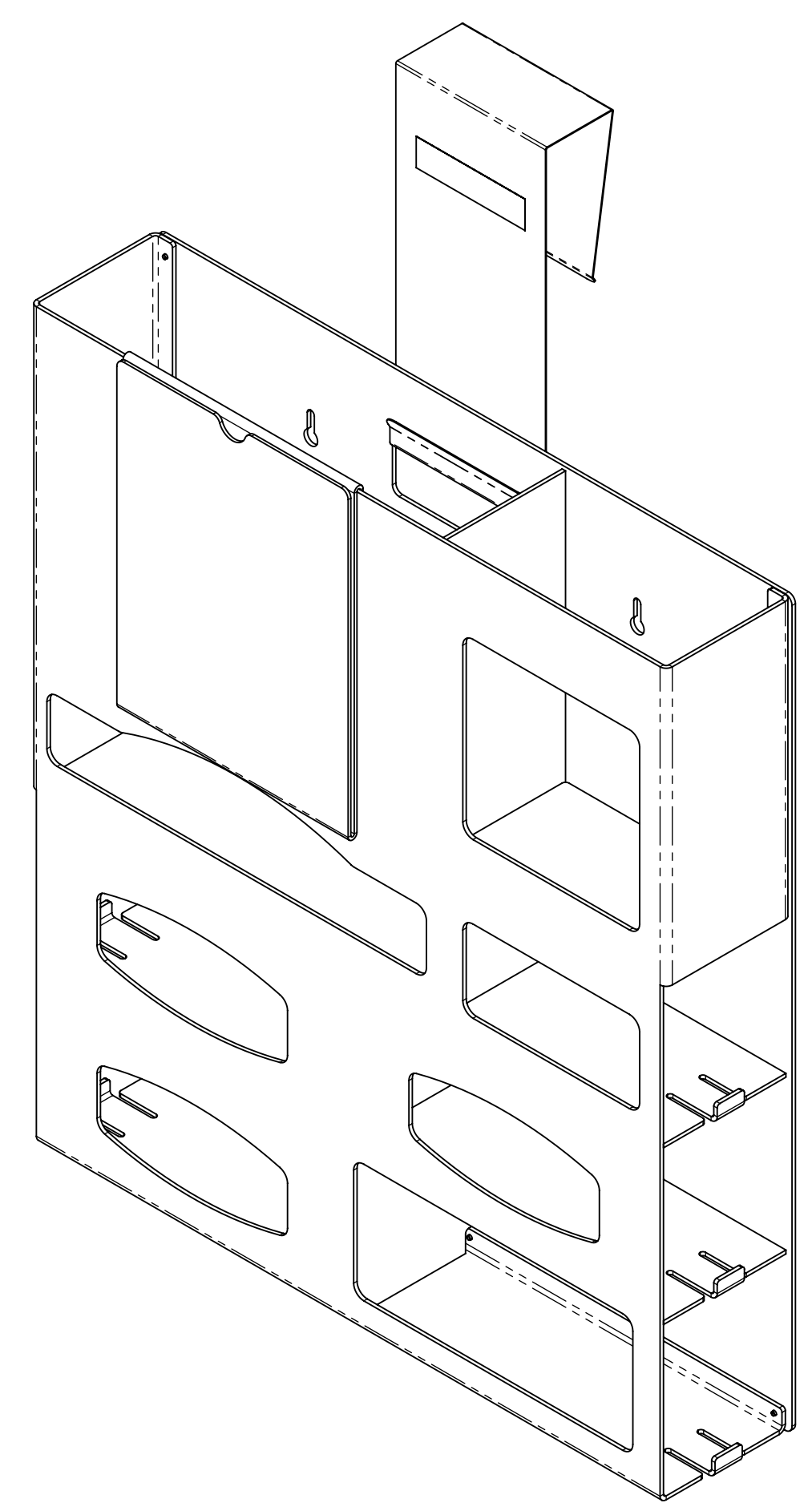
C

B

A



Ø.26(4X)
MOUNTING HOLES



MATERIAL:
ABS Plastic/PETG
Plastic/Steel

FINISH:
Quartz
Beige/Clear/Quartz Beige
Powder-Coated

BOWMAN
Dispensers

PART NO.:
BD602-0012

TITLE:
PROTECTION SYSTEM ISOLATION KIT

BOWMAN Dispensers
20325 71st Ave NE, Ste D
Arlington, WA 98223

SIZE D TOLERANCE
.XX = ± .03 .XXX = ± .010
ANGULAR = ± 1°

SCALE 1:4 REV A SHEET 1 of 1

FILE NAME: BD602-0012_ARCAT_SLIDDRW