

D

D

C

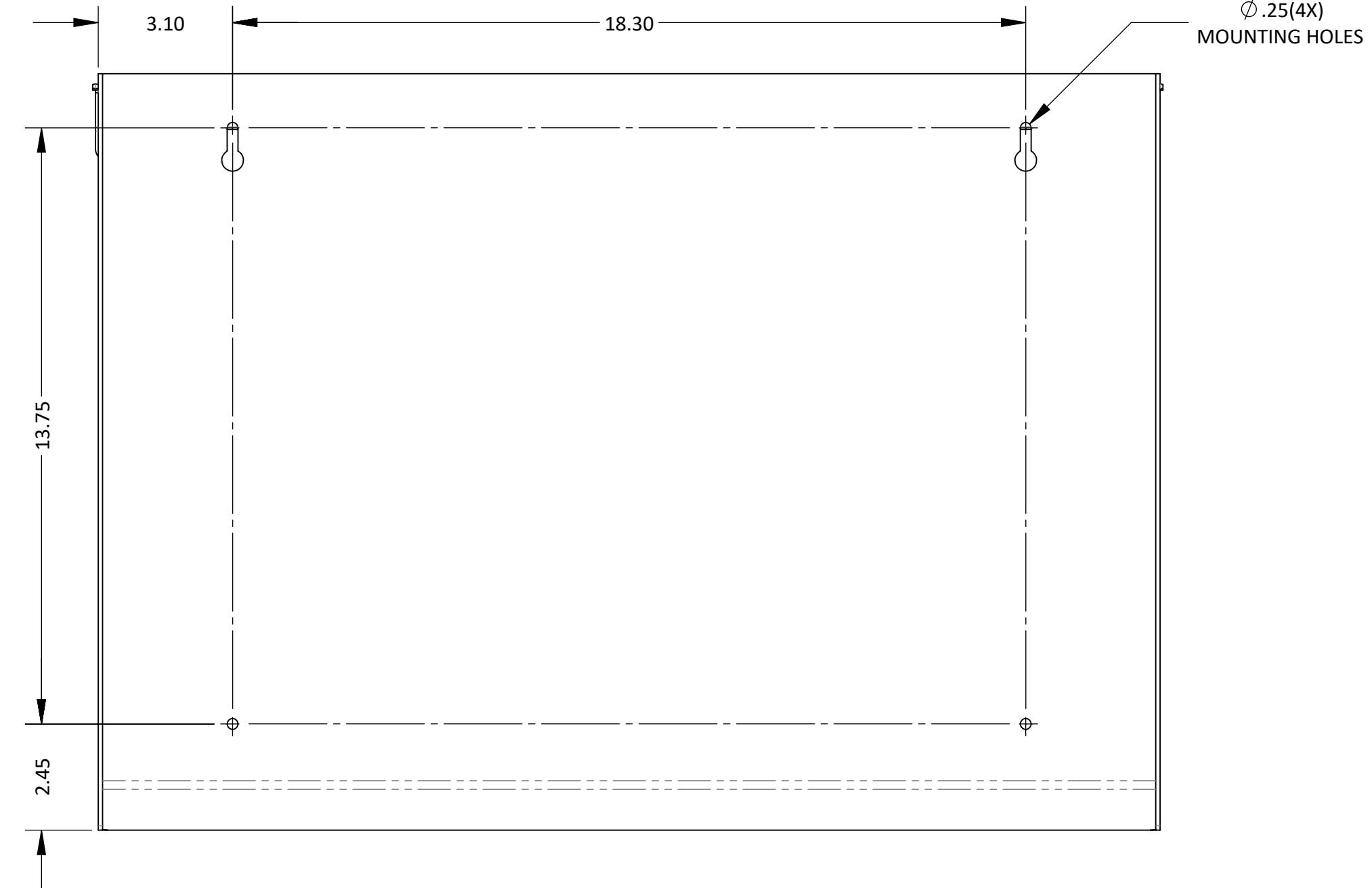
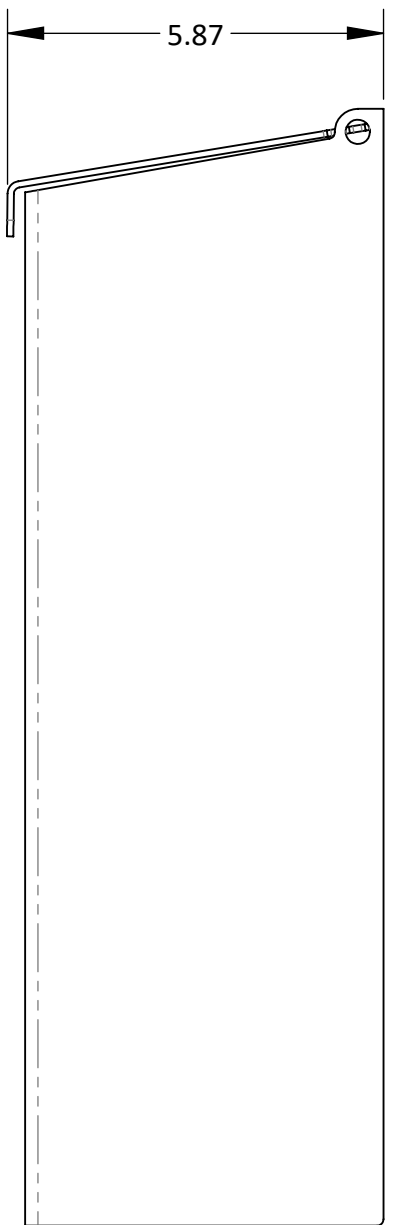
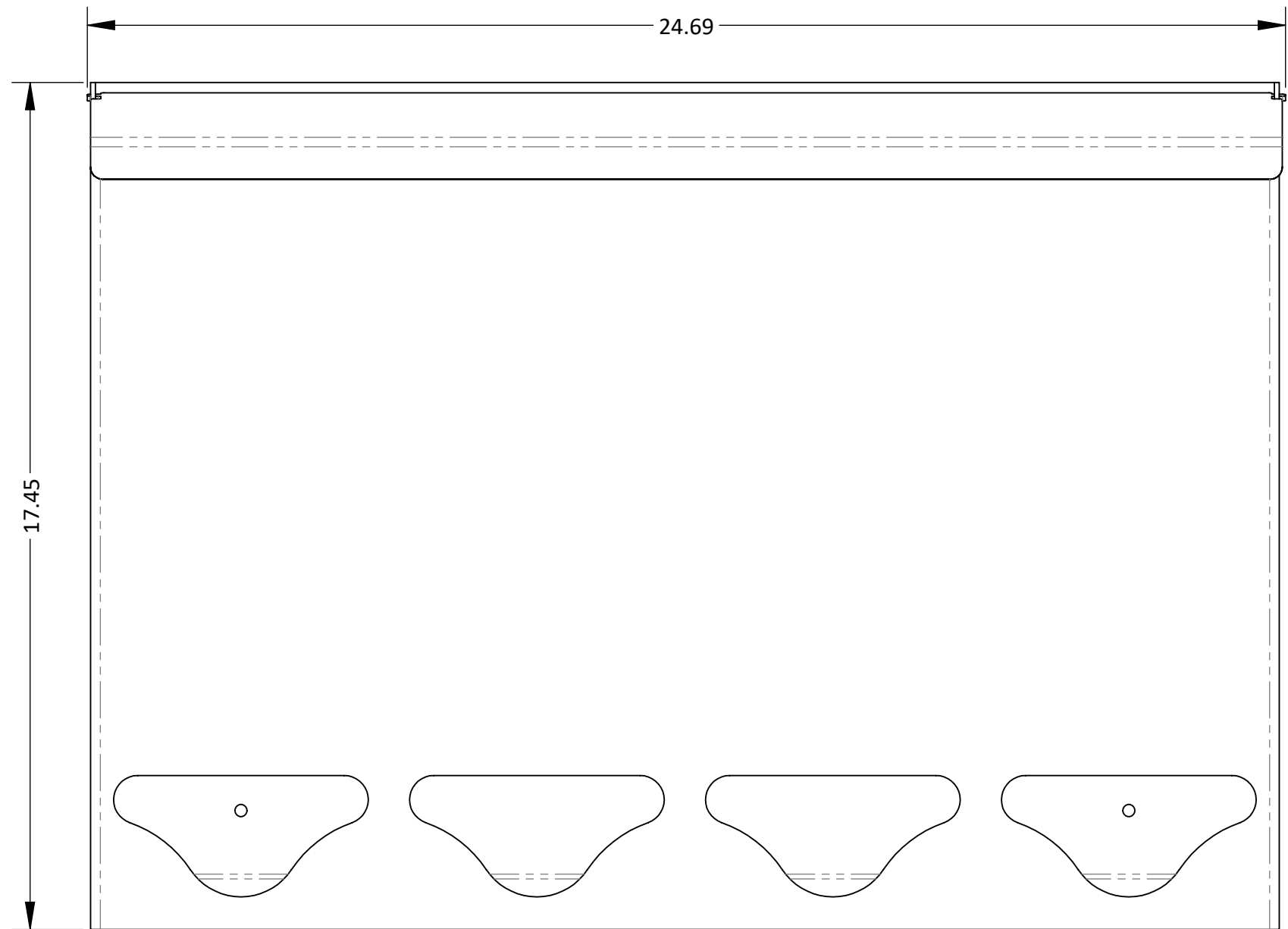
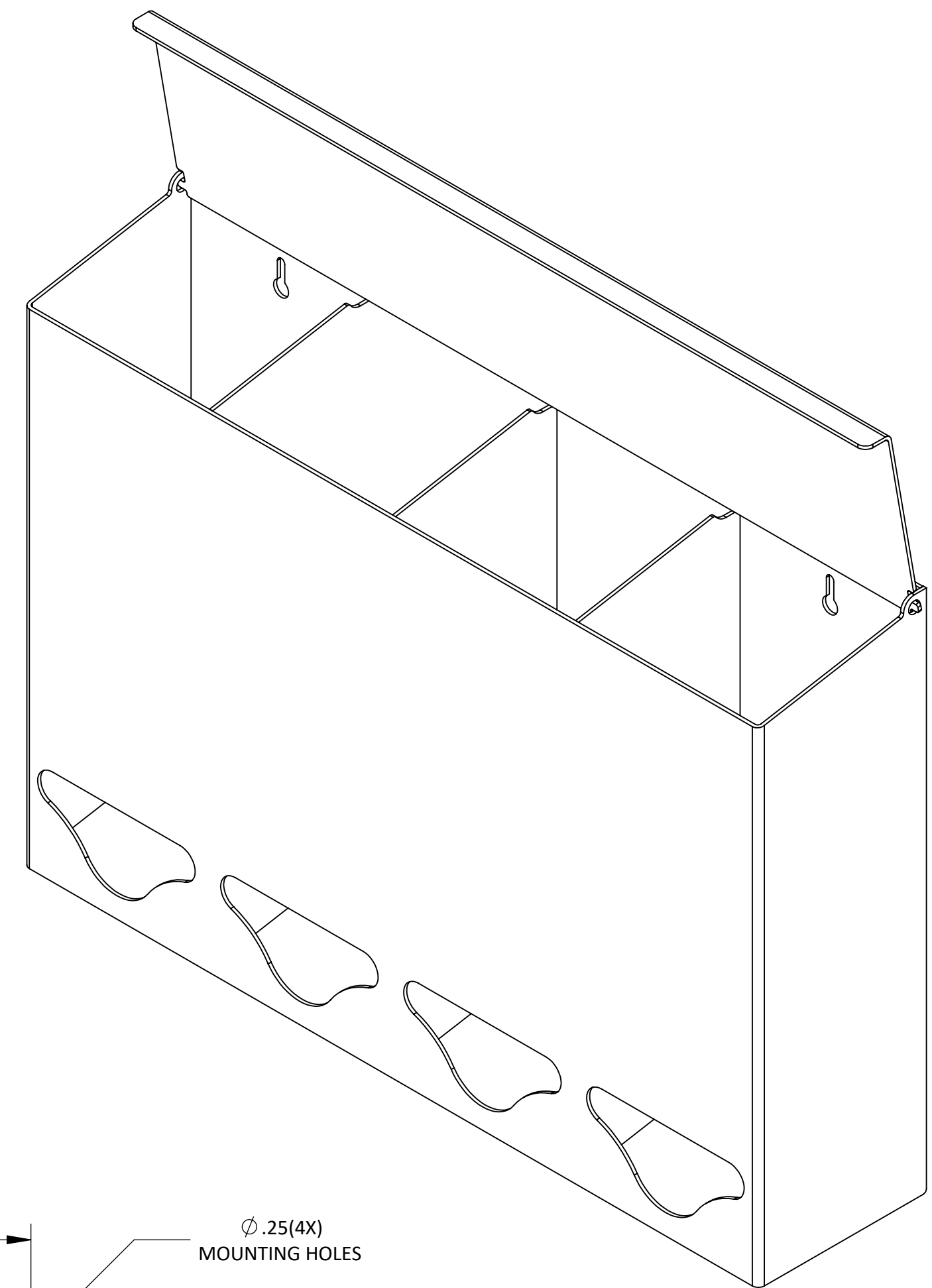
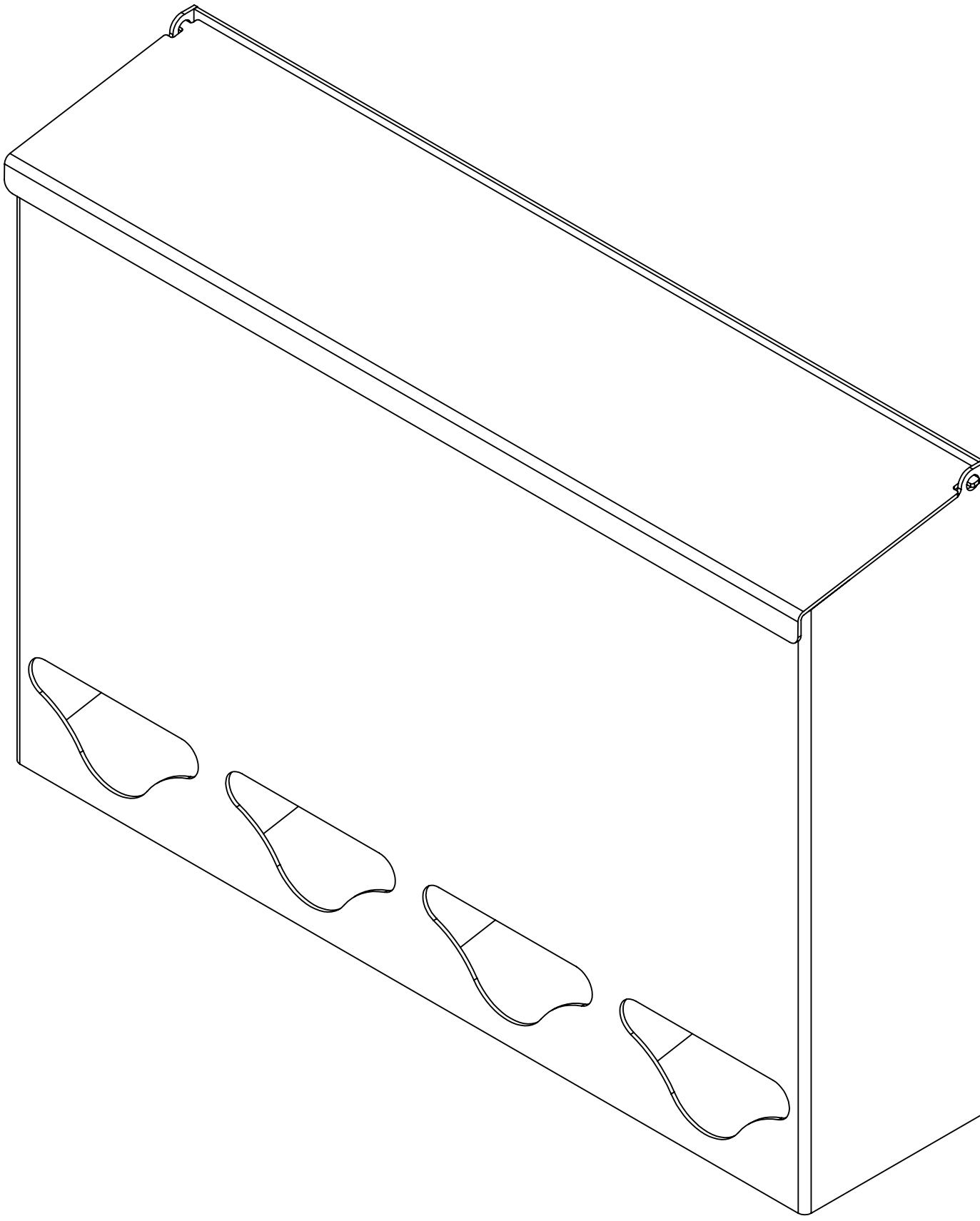
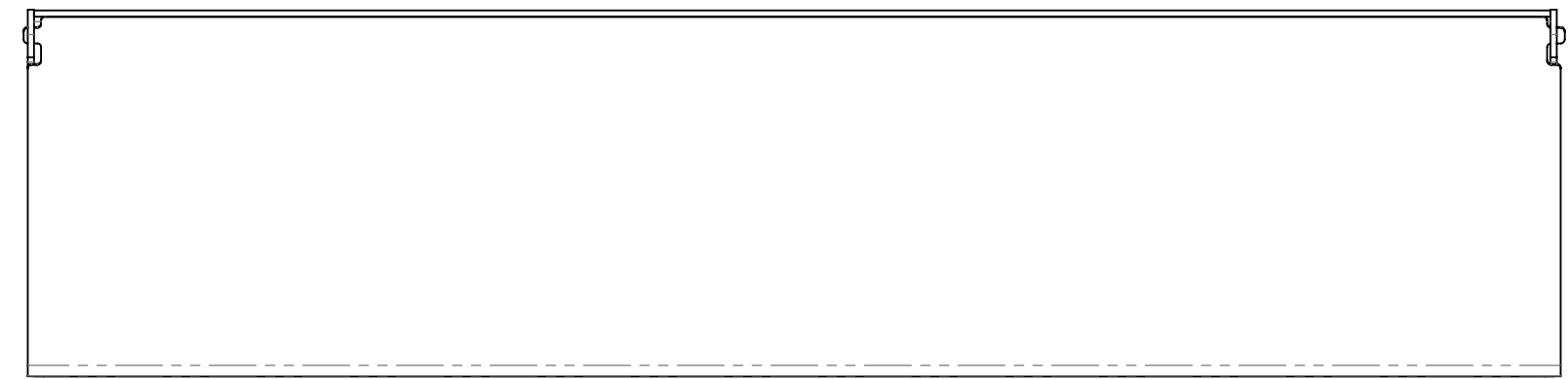
C

B

B

A

A



MATERIAL: PETG Plastic	PART NO.: BK314-0111	SIZE D	TOLERANCE .XX = ± .03 .XXX = ± .010 ANGULAR = ± 1°
FINISH: Clear	TITLE: BULK DISPENSER - TALL QUAD BIN	SCALE 1:3	REV B
BOWMAN®  Dispensers		BOWMAN Dispensers 20325 71st Ave NE, Ste D Arlington, WA 98223	
		SHEET 1 of 1	

FILE NAME: BK314-0111_ARCAT_SLIDDRW