

D

C

B

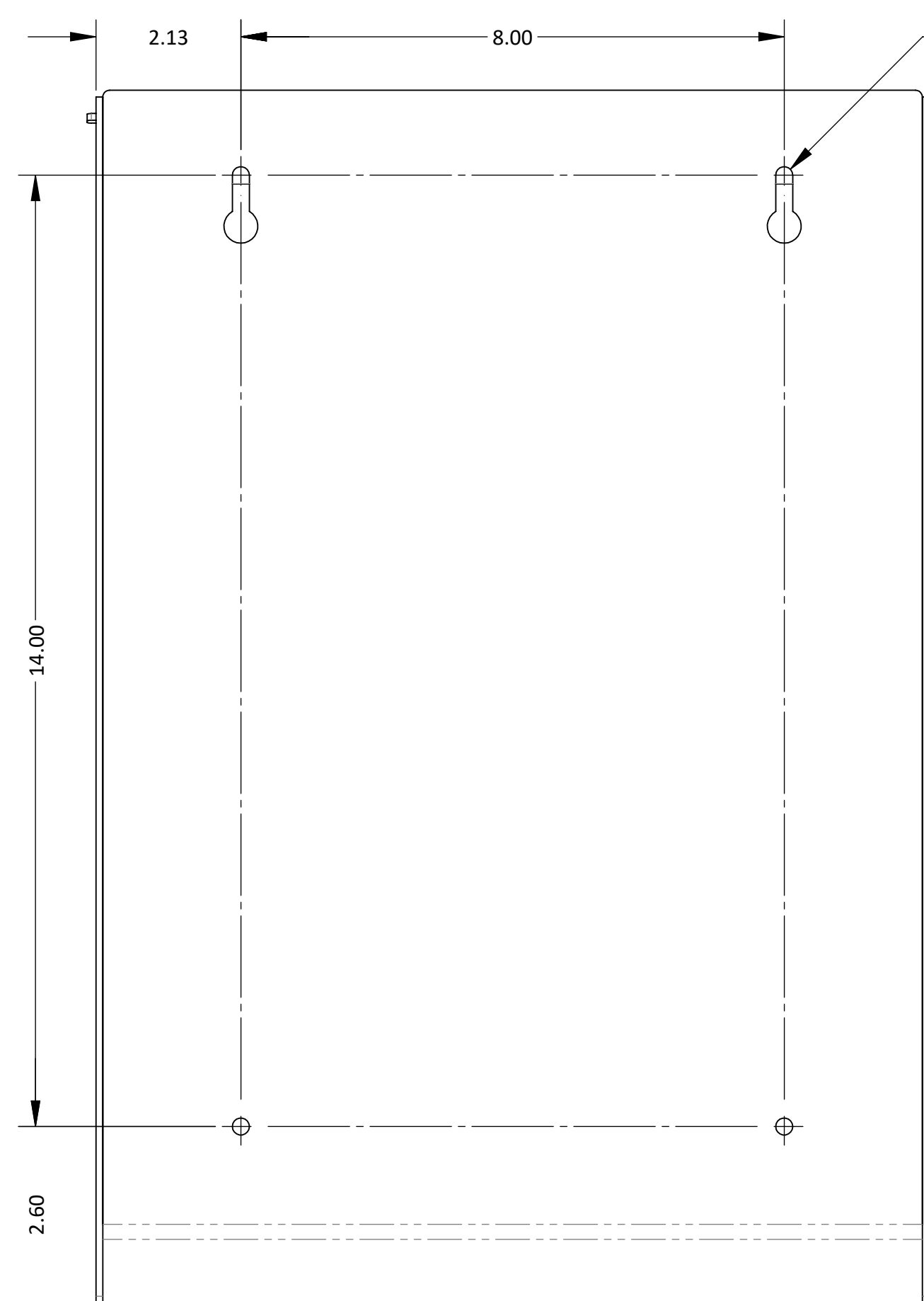
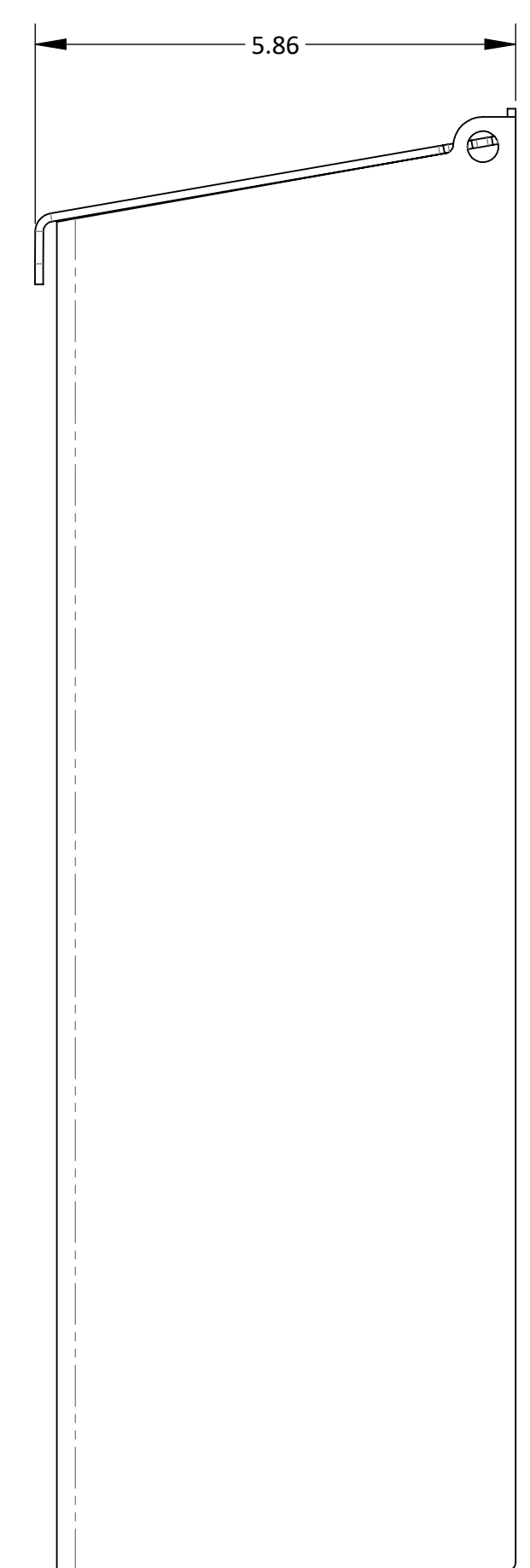
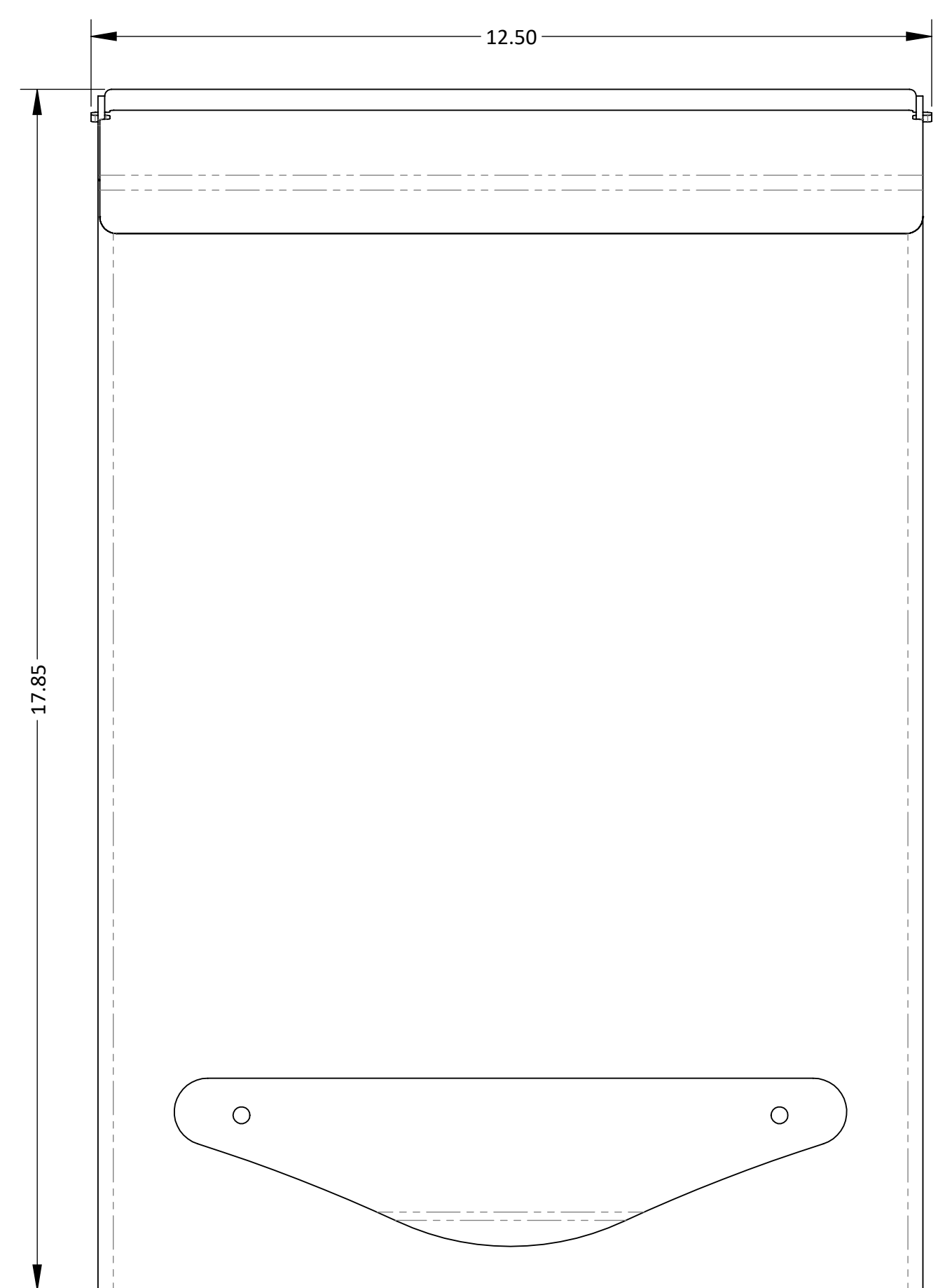
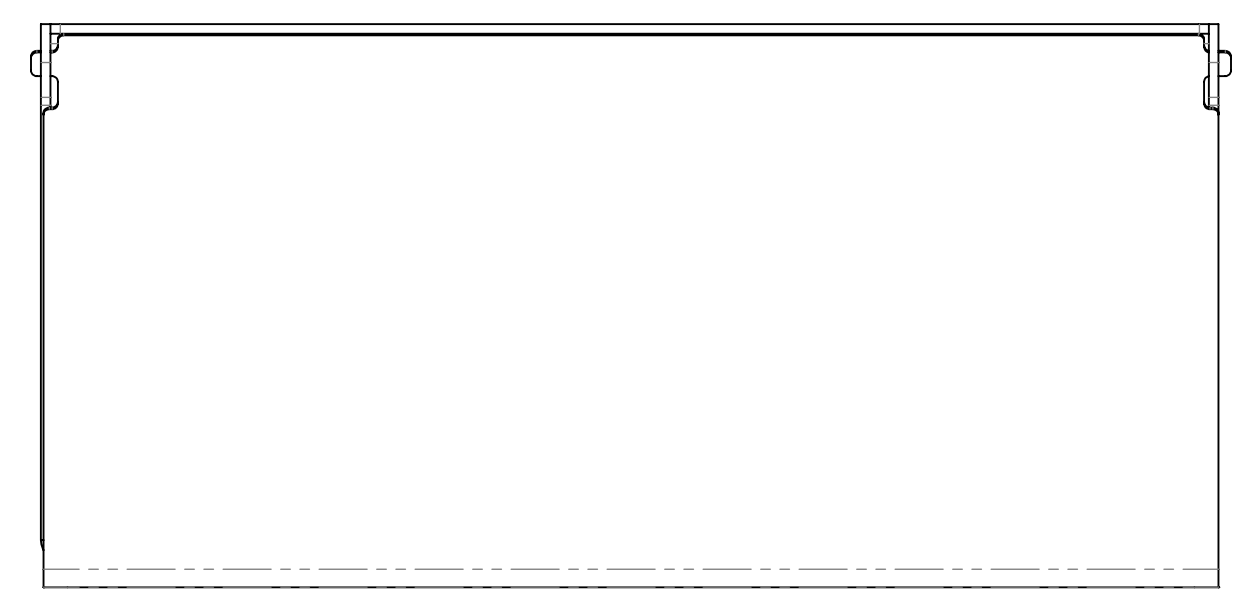
A

D

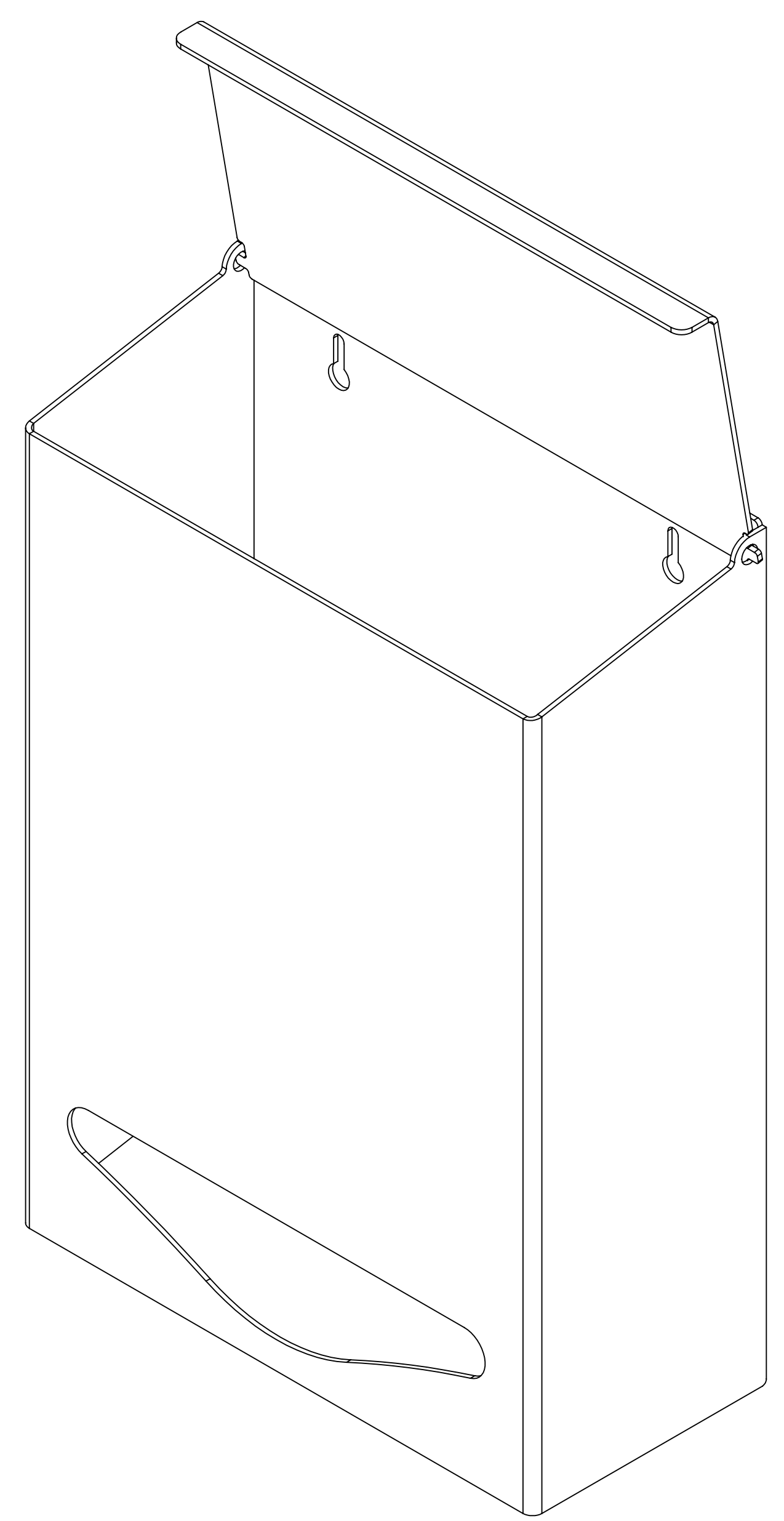
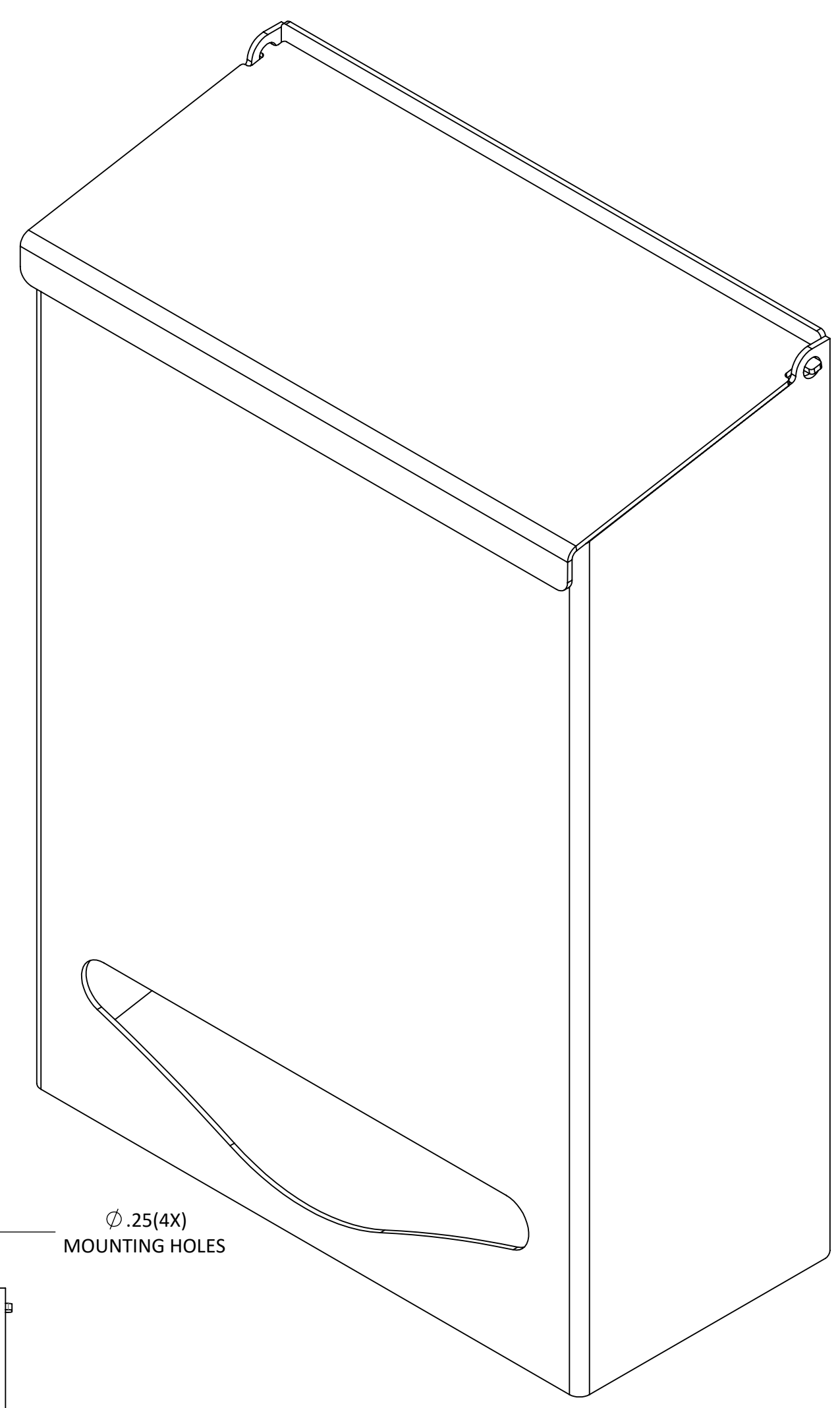
C

B

A



Ø.25(4X)
MOUNTING HOLES



MATERIAL: PETG Plastic	PART NO.: BP-011
FINISH: Clear	TITLE: BULK DISPENSER - TALL SINGLE BIN
BOWMAN Dispensers	BOWMAN Dispensers 20325 71st Ave NE, Ste D Arlington, WA 98223

SIZE D	TOLERANCE .XX = ± .03 .XXX = ± .010
SCALE 1:2	REV C
SHEET 1 of 1	

FILE NAME: BP-011_ARCAT_SLDDRW