

D

D

C

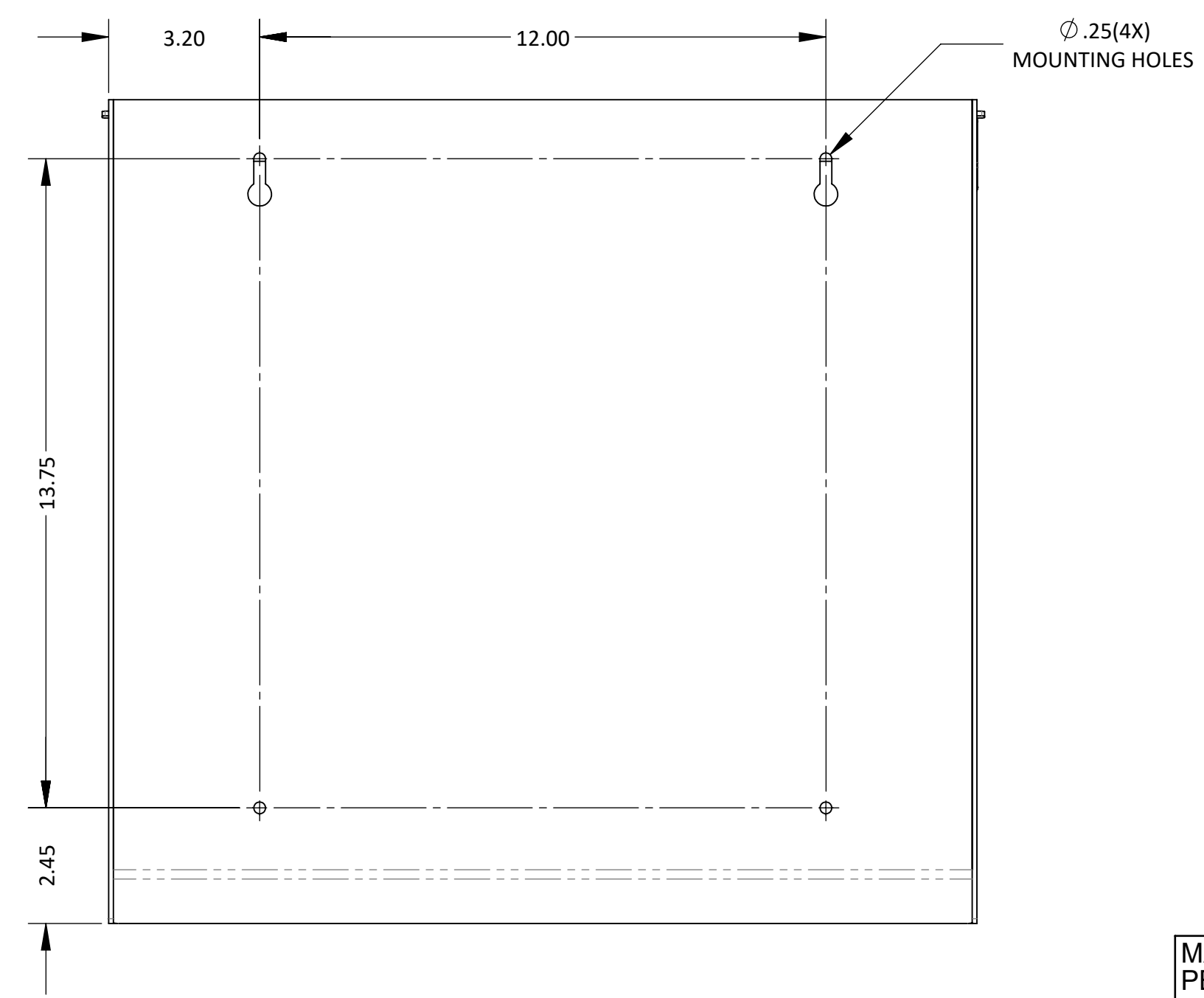
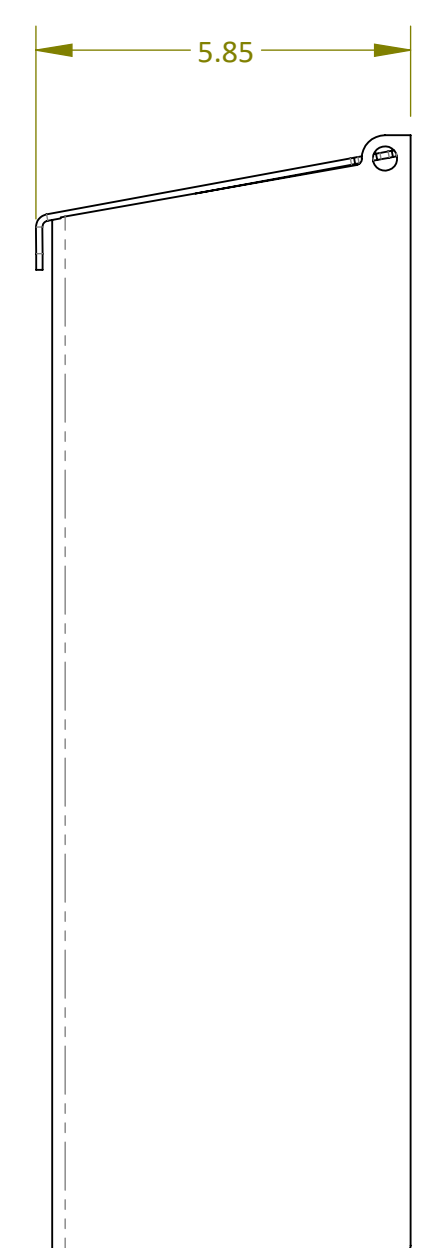
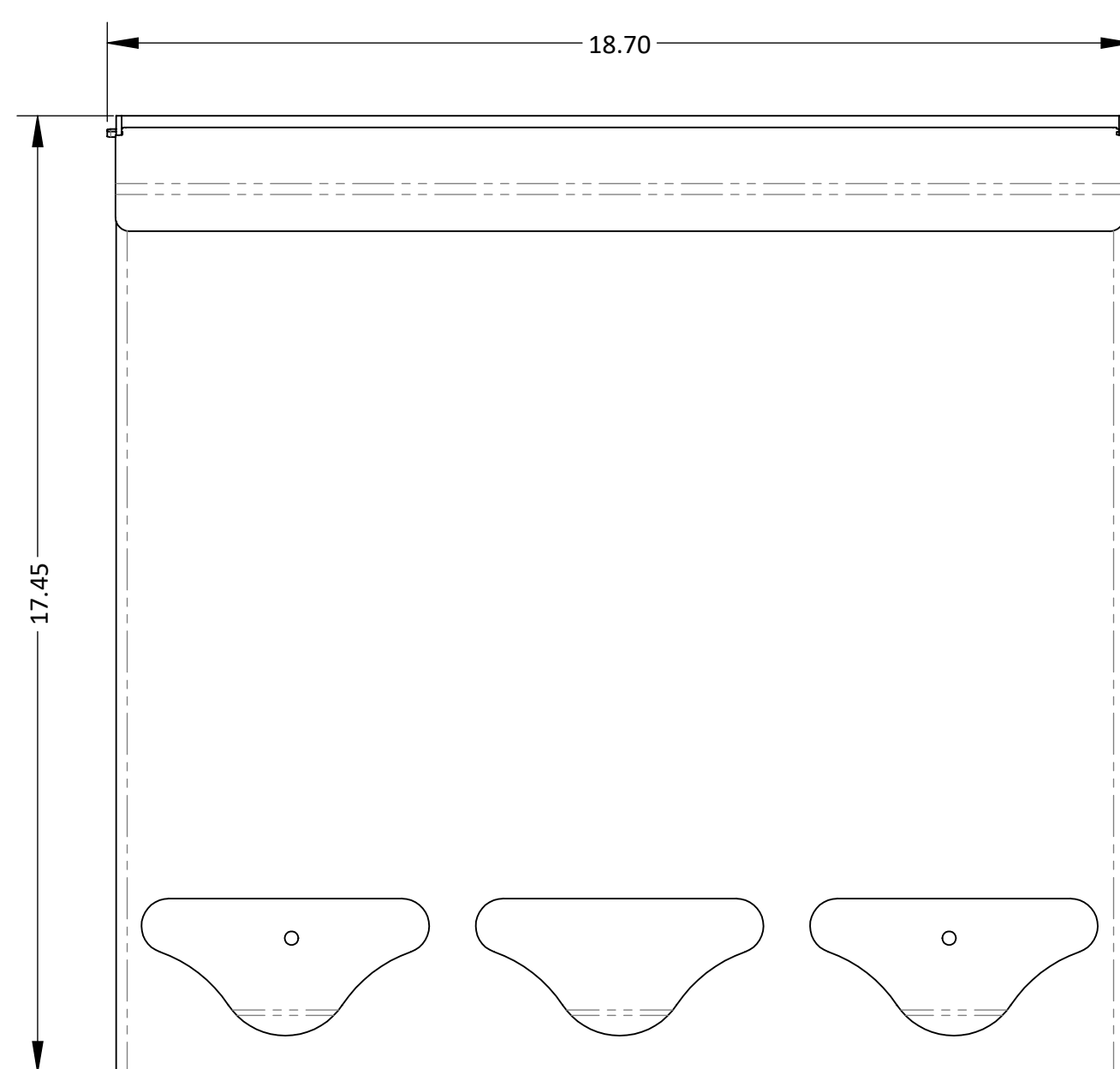
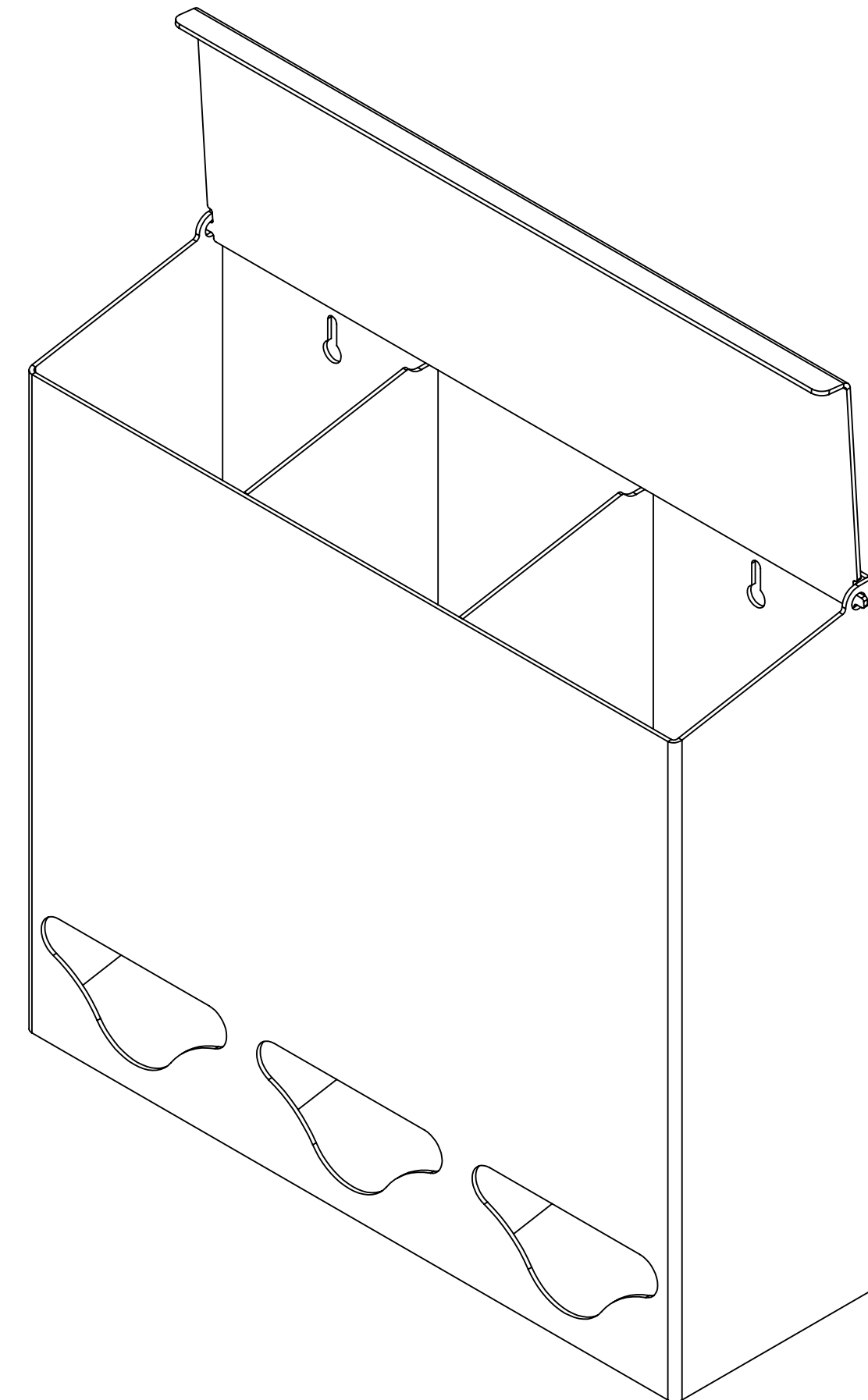
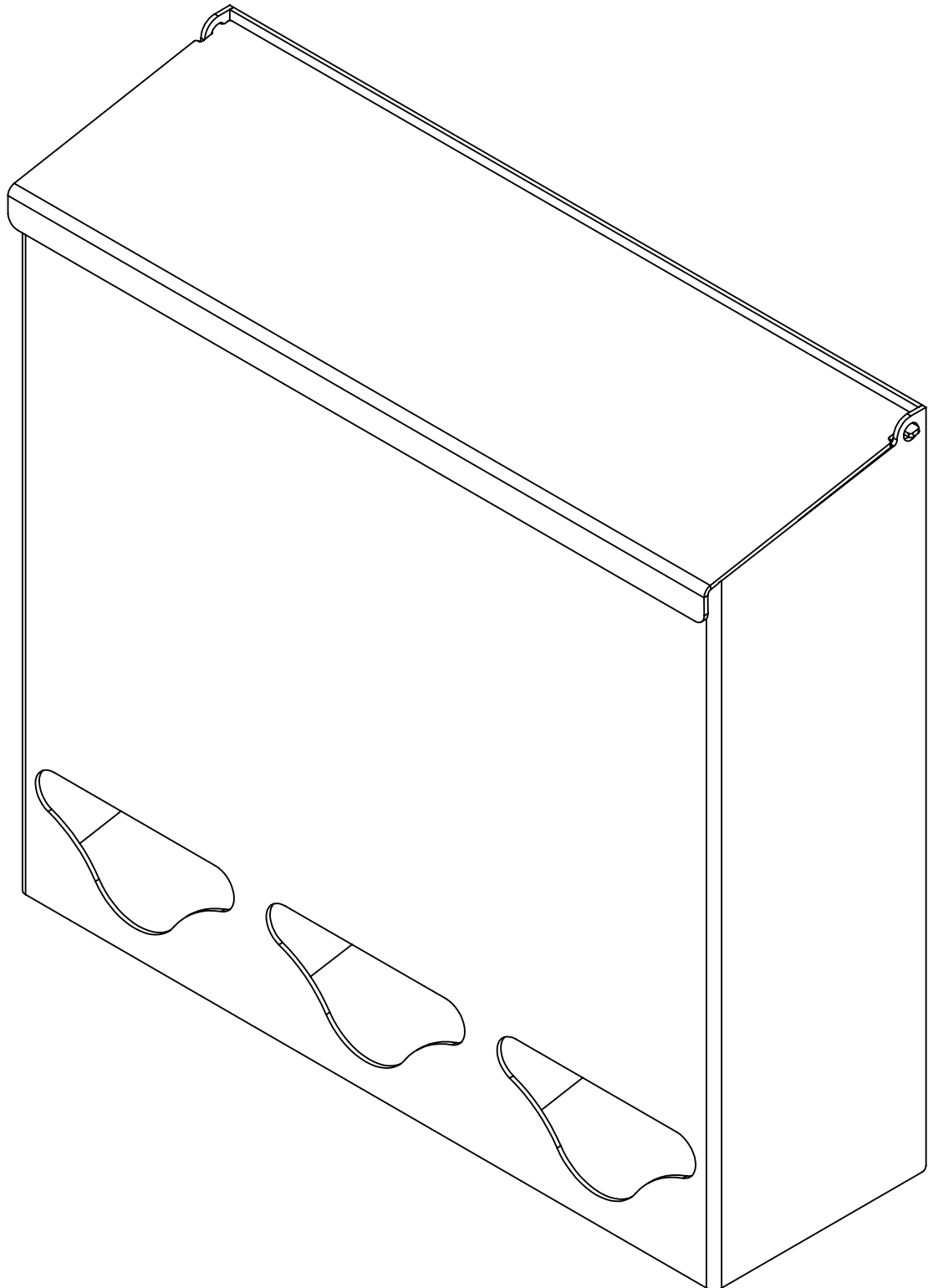
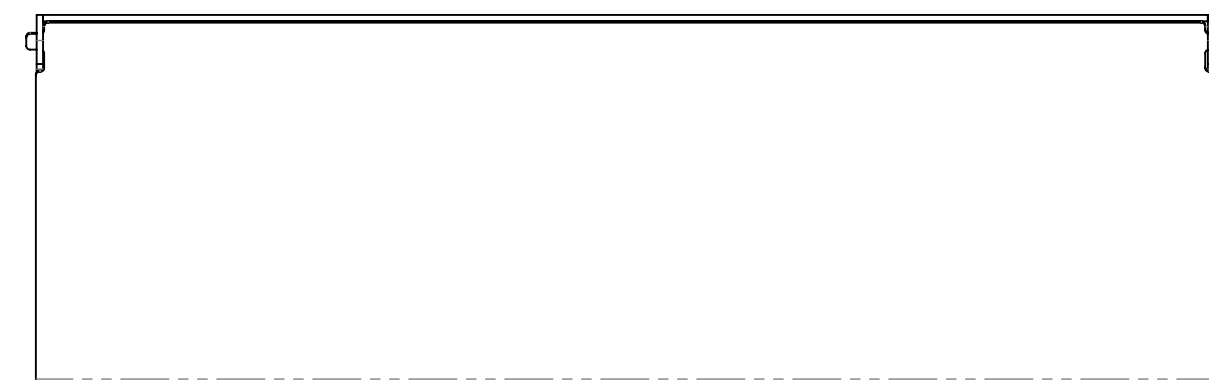
C


B

B

A

A



MATERIAL: PETG Plastic	PART NO.: BP-090	SIZE D	TOLERANCE .XX = ± .03 .XXX = ± .010 ANGULAR = ± 1°
FINISH: Clear	TITLE: BULK DISPENSER - TALL TRIPLE BIN	SCALE 1:3	REV E
BOWMAN  Dispensers		BOWMAN Dispensers 20325 71st Ave NE, Ste D Arlington, WA 98223	
		SHEET 1 of 1	

FILE NAME: BP-090_ARCAT_SLDDRW