

8

7

6

5

4

3

DWG No. FM300-0212

SH 1 REV D

1

D

D

C

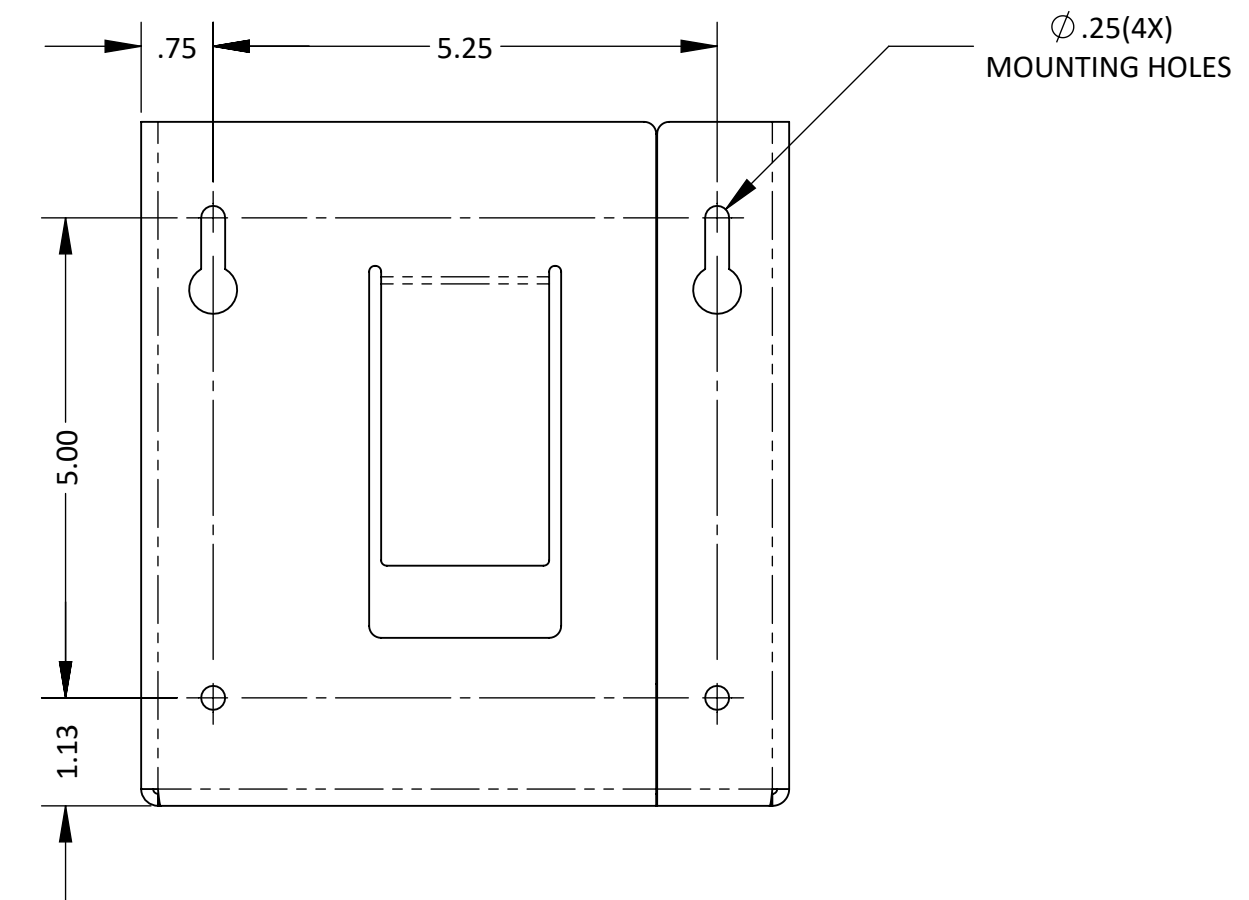
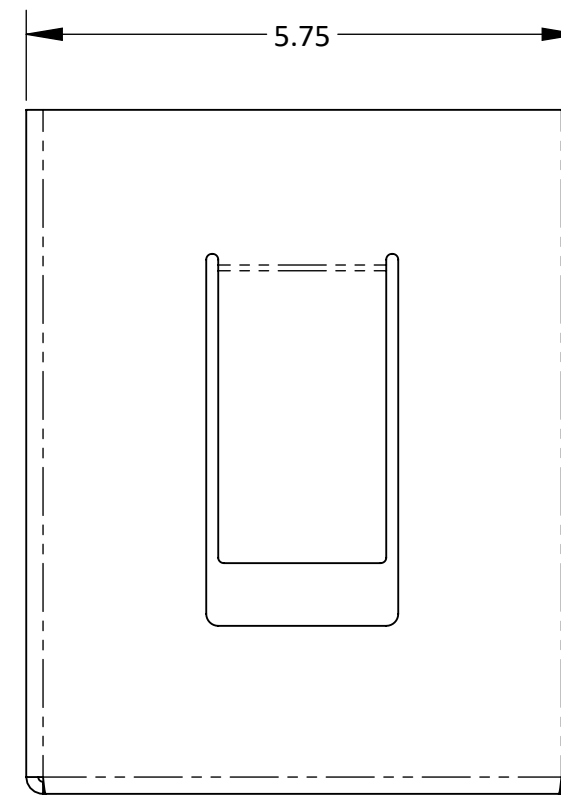
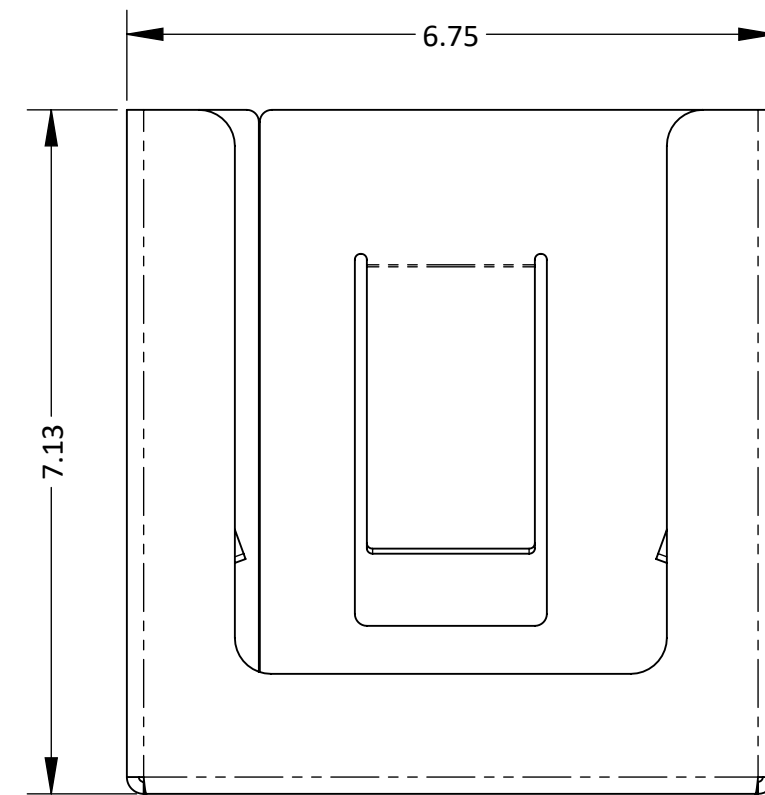
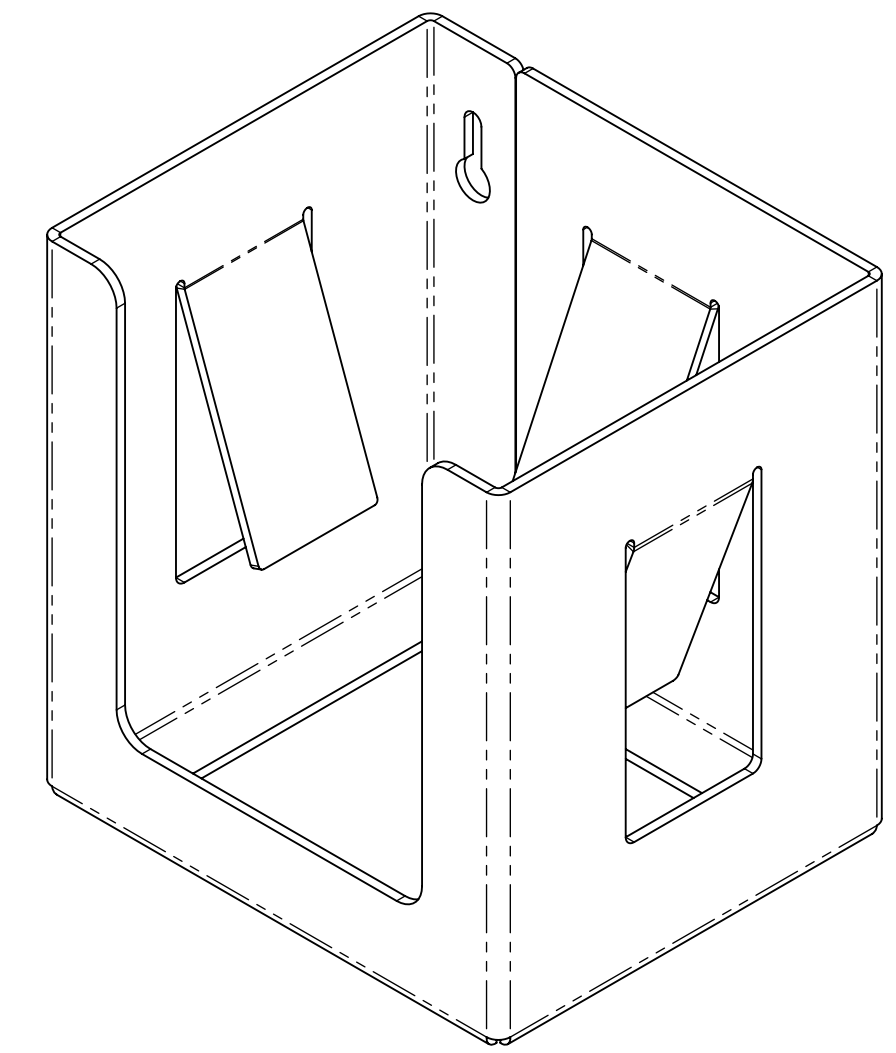
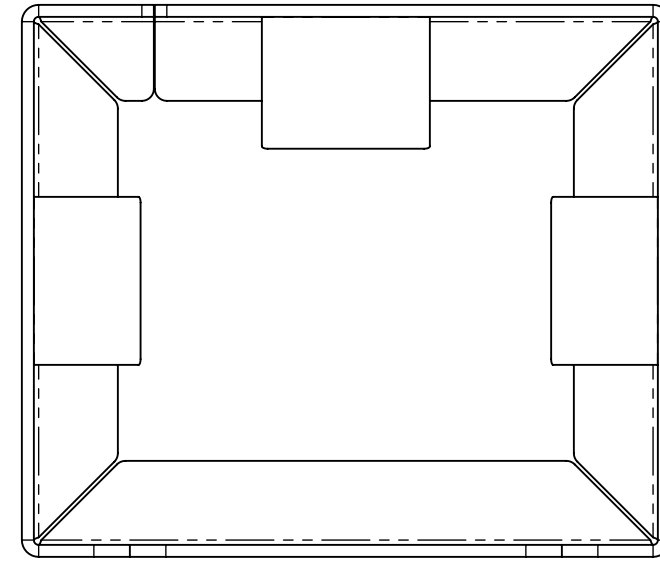
C

B

B

A

A



| | | | | |
|--|--|--|----------|---|
| MATERIAL: ABS Plastic | PART NO.: FM300-0212 | SIZE D | | TOLERANCE .XX = ± .03 .XXX = ± .010 ANGULAR = ± 1° |
| FINISH: Quartz Beige | TITLE: FACE MASK DISPENSER - UNIVERSAL - CONE | SCALE 1:2 | REV D | SHEET 1 of 1 |
| BOWMAN  Dispensers | | BOWMAN Dispensers 20325 71st Ave NE, Ste D Arlington, WA 98223 | | |

FILE NAME: FM300-0212_ARCAT_SLDDRW